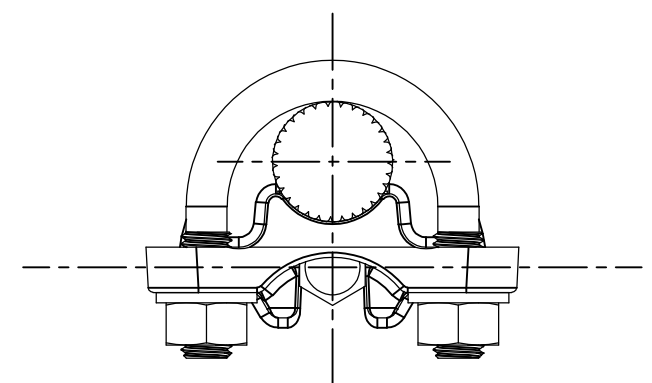


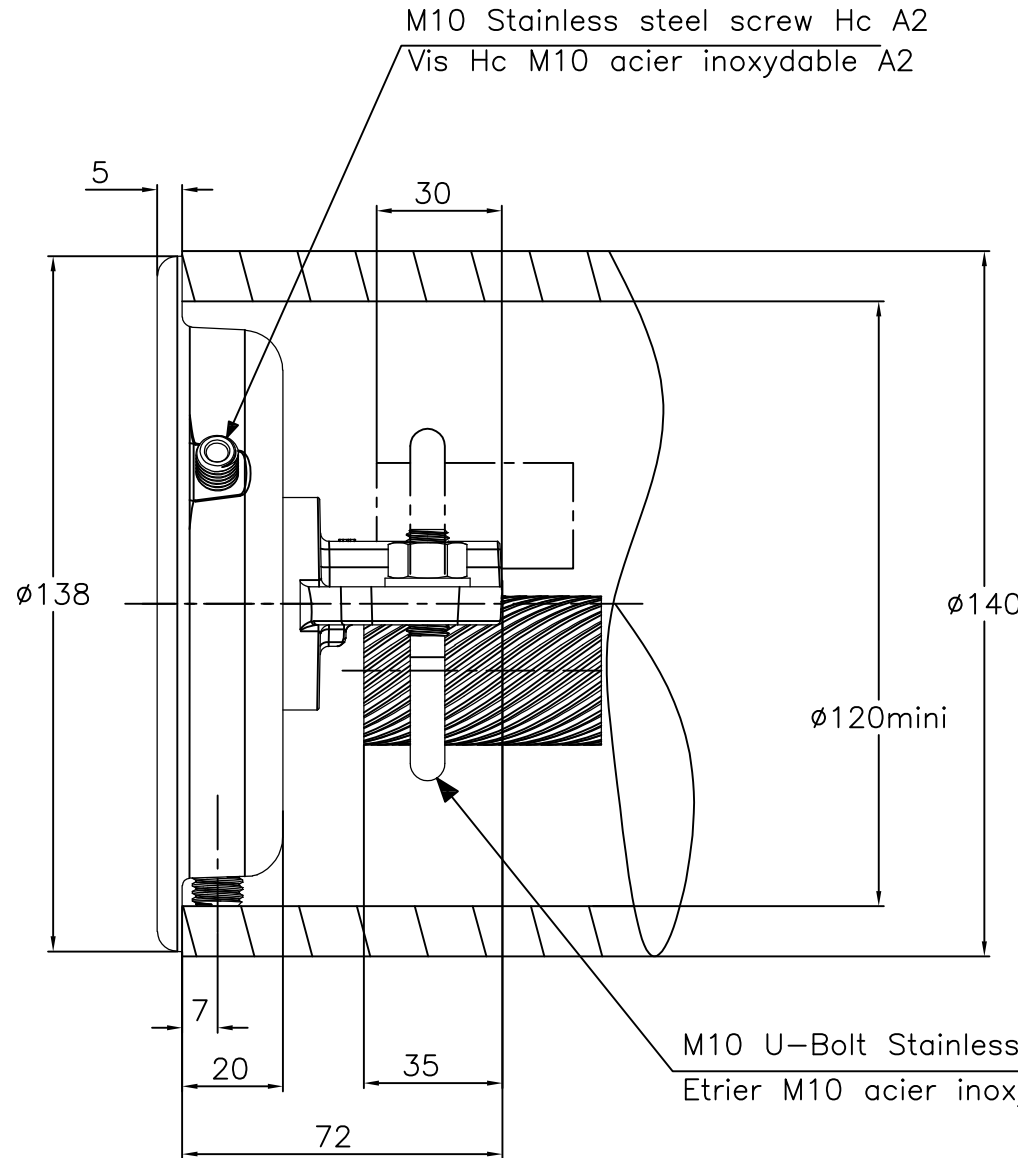
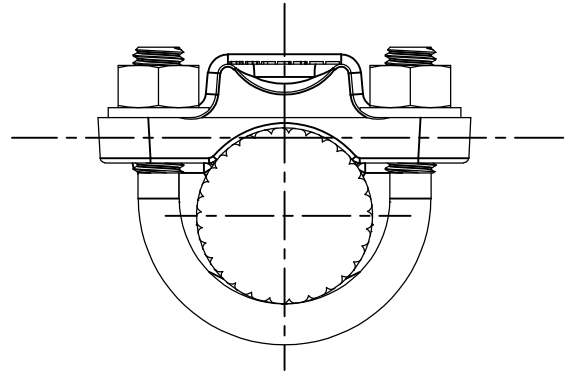
THIS DRAWING IS UNPUBLISHED. RELEASED FOR PUBLICATION
 © COPYRIGHT - By - ALL RIGHTS RESERVED.

REVISIONS					
P	LTR	DESCRIPTION	DATE	DWN	APVD
	B	UPDATED DRAWING	05-Jan-17	GL	-

Cable 18DIA to 24 assembly
 Assemblage pour cable ø18 à 24

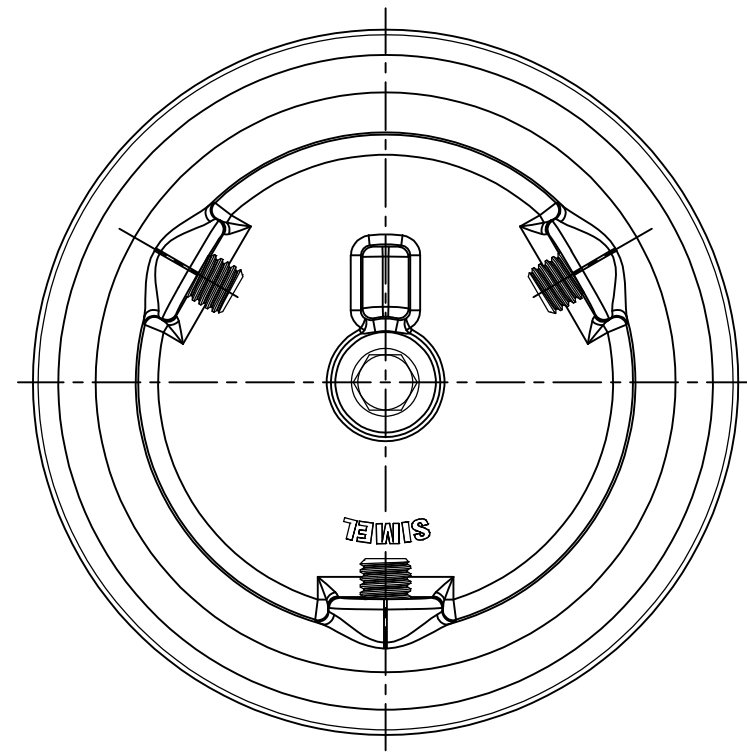
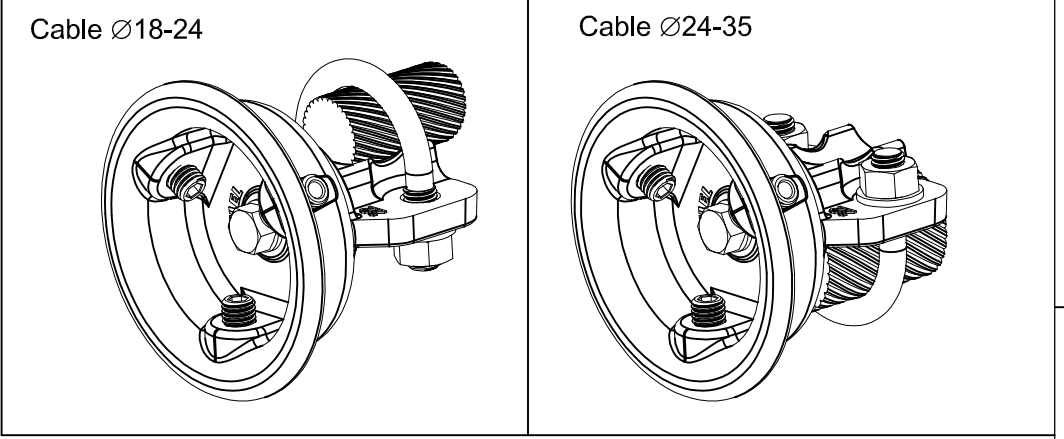


Cable 24DIA to 35 assembly
 Assemblage pour cable ø24 à 35


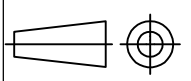


M10 Stainless steel screw Hc A2
 Vis Hc M10 acier inoxydable A2

M10 U-Bolt Stainless steel A2 : 37Nm (Reversible position)
 Etrier M10 acier inoxydable A2 : 37Nm (Position réversible)



ITEM:.....

THIS DRAWING IS A CONTROLLED DOCUMENT.		DWN	5-Dec-16		 TE Connectivity
		CHK	-		
		APVD	-		
		PRODUCT SPEC	-		
DIMENSIONS: mm		TOLERANCES UNLESS OTHERWISE SPECIFIED:		NAME	
		0 PLC ± - 1 PLC ± - 2 PLC ± - 3 PLC ± - 4 PLC ± - ANGLES ± -		108-69090-001 APPLICATION SPEC	
MATERIAL		FINISH		RESTRICTED TO	
-		-		-	
		WEIGHT	0.53 kg		SIZE
		CUSTOMER DRAWING		A3	CAGE CODE
				00779	DRAWING NO
				C=2301087	RESTRICTED TO
				SCALE	3/4
				SHEET	1 OF 1
				REV	B