

THIS DRAWING IS UNPUBLISHED.

RELEASED FOR PUBLICATION

-. - .

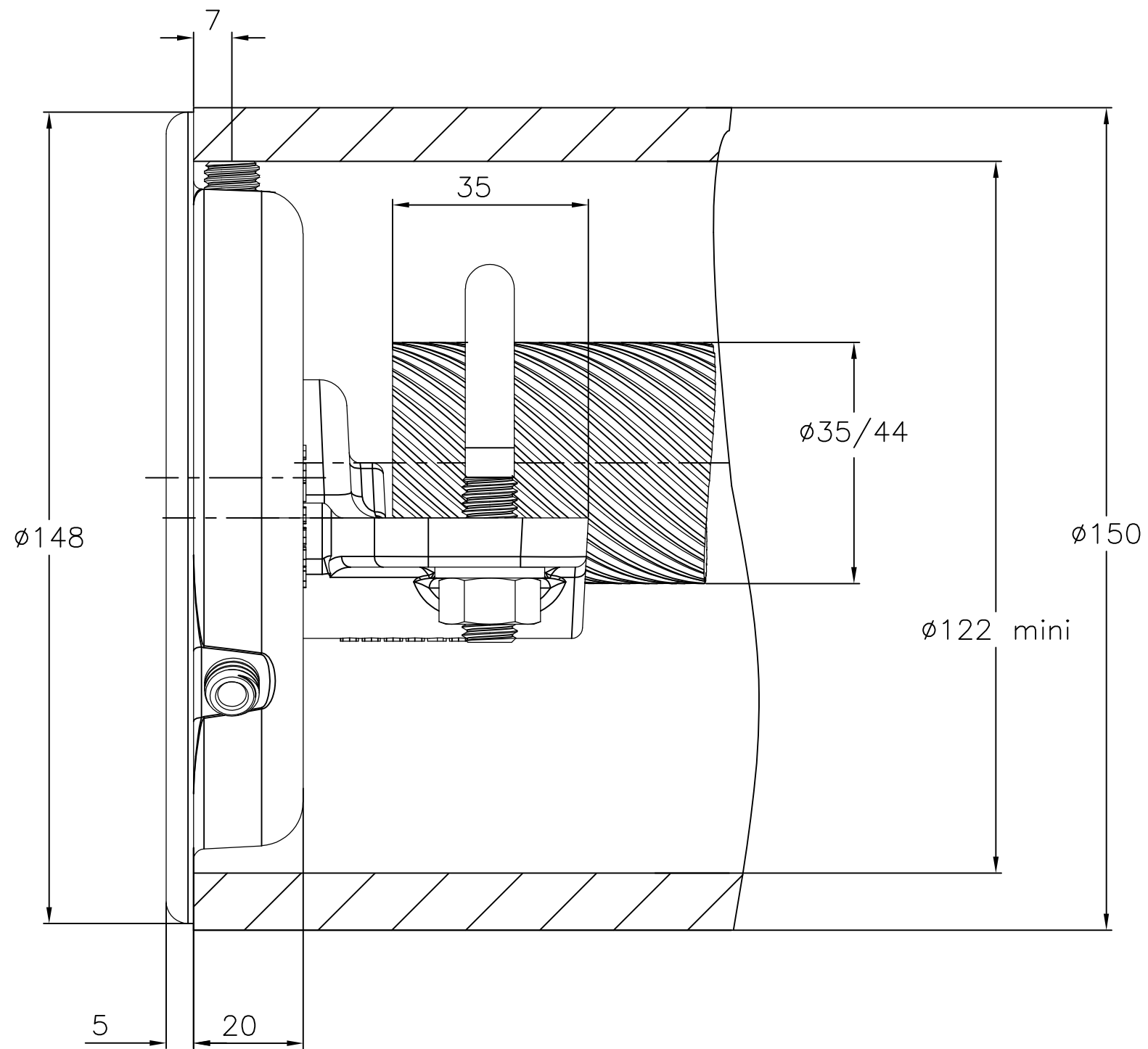
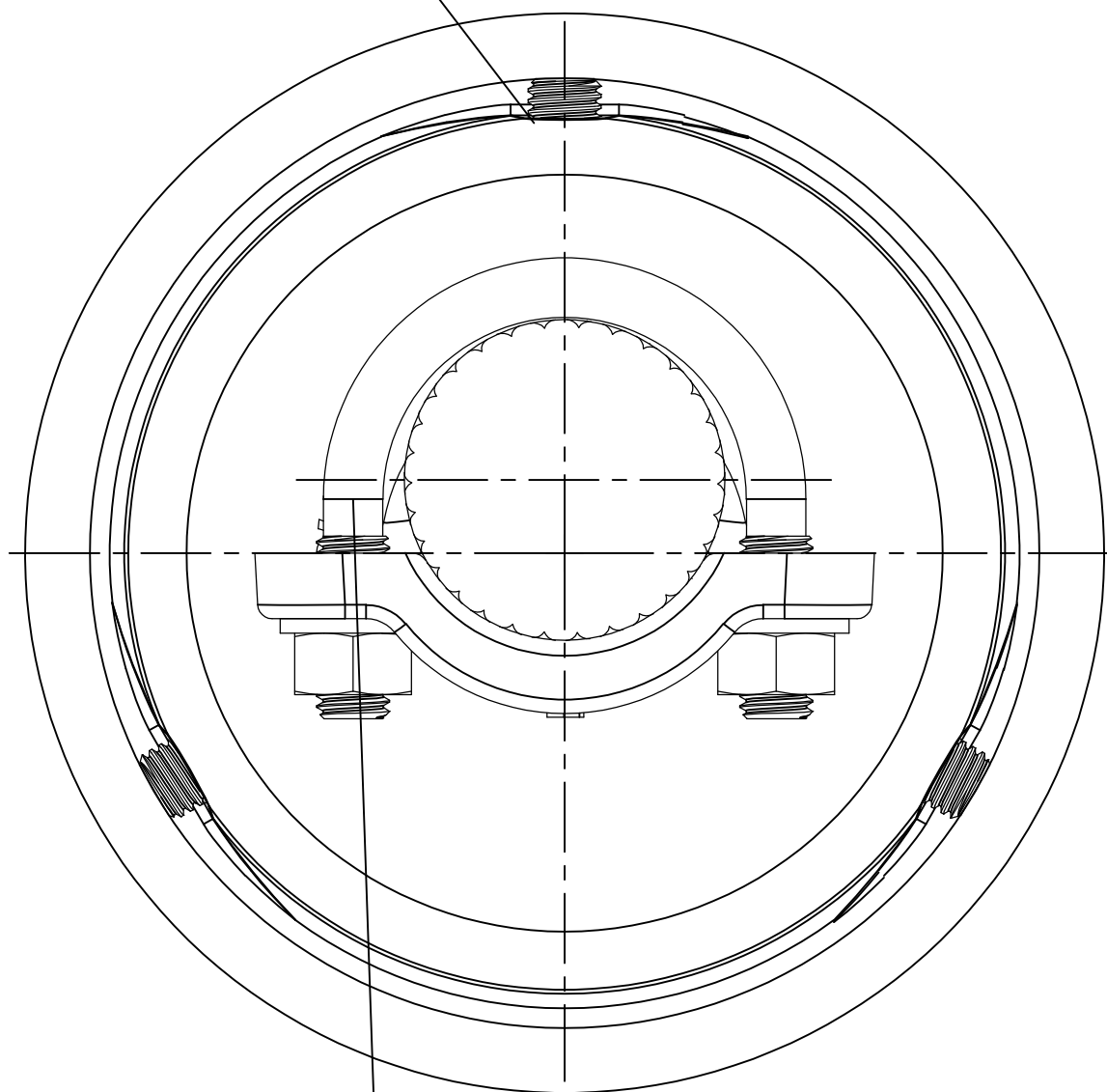
REVISIONS

© COPYRIGHT - By -

ALL RIGHTS RESERVED.


P	LTR	DESCRIPTION	DATE	DWN	APVD
	A	CREATION	10-Jan-17	GL	-

M10 Stainless steel screw Hc A2
 Vis Hc M10 acier inoxydable A2



M10 U-Bolt Stainless steel A2 : 37Nm
 Etrier M10 acier inoxydable A2 : 37Nm

ITEM:.....

THIS DRAWING IS A CONTROLLED DOCUMENT.		DWN	MOYEUX	10-Jan-17	 TE Connectivity												
DIMENSIONS: mm		CHK	-	-													
TOLERANCES UNLESS OTHERWISE SPECIFIED:		APVD	-	-													
<table border="0"> <tr> <td>0 PLC</td><td>± -</td> </tr> <tr> <td>1 PLC</td><td>± -</td> </tr> <tr> <td>2 PLC</td><td>± -</td> </tr> <tr> <td>3 PLC</td><td>± -</td> </tr> <tr> <td>4 PLC</td><td>± -</td> </tr> <tr> <td>ANGLES</td><td>± -</td> </tr> </table>		0 PLC	± -	1 PLC			± -	2 PLC	± -	3 PLC	± -	4 PLC	± -	ANGLES	± -	PRODUCT SPEC	108-69090-001
0 PLC	± -																
1 PLC	± -																
2 PLC	± -																
3 PLC	± -																
4 PLC	± -																
ANGLES	± -																
MATERIAL		APPLICATION SPEC	-	SIZE	A3	CAGE CODE	00779	DRAWING NO	C=2301090	RESTRICTED TO	-						
FINISH		WEIGHT	0.58 kg	CUSTOMER DRAWING		SCALE	1/1	SHEET	1 OF 1	REV	A						