

THIS DRAWING IS UNPUBLISHED.

RELEASED FOR PUBLICATION

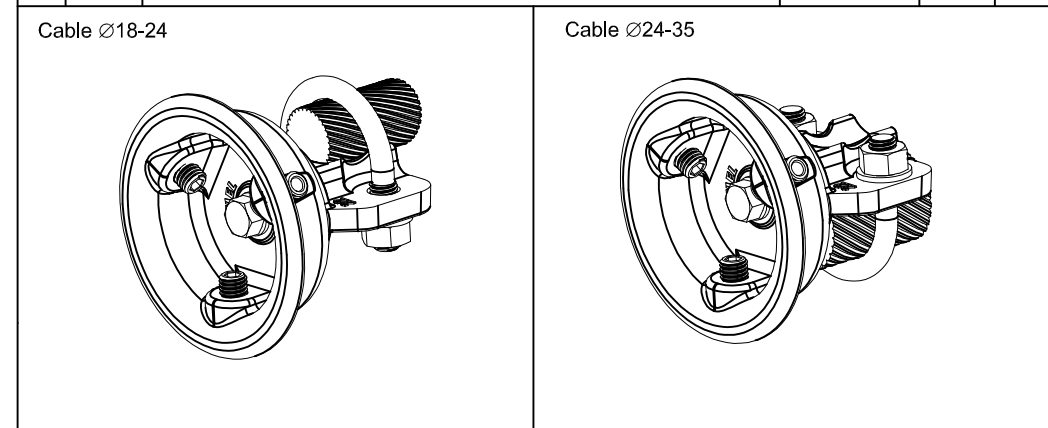
-. - .

© COPYRIGHT - By -

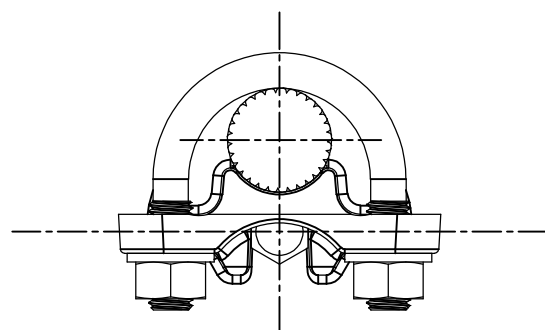
ALL RIGHTS RESERVED.

REVISIONS

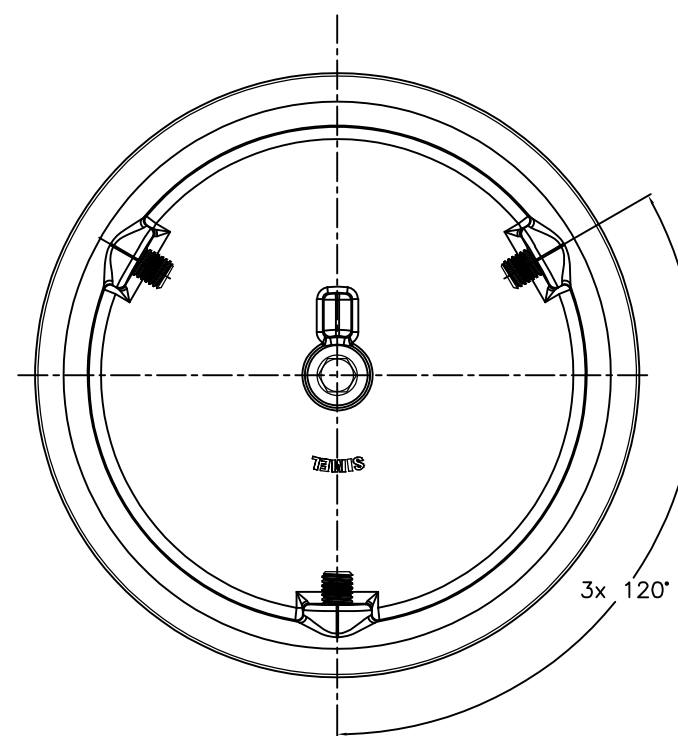
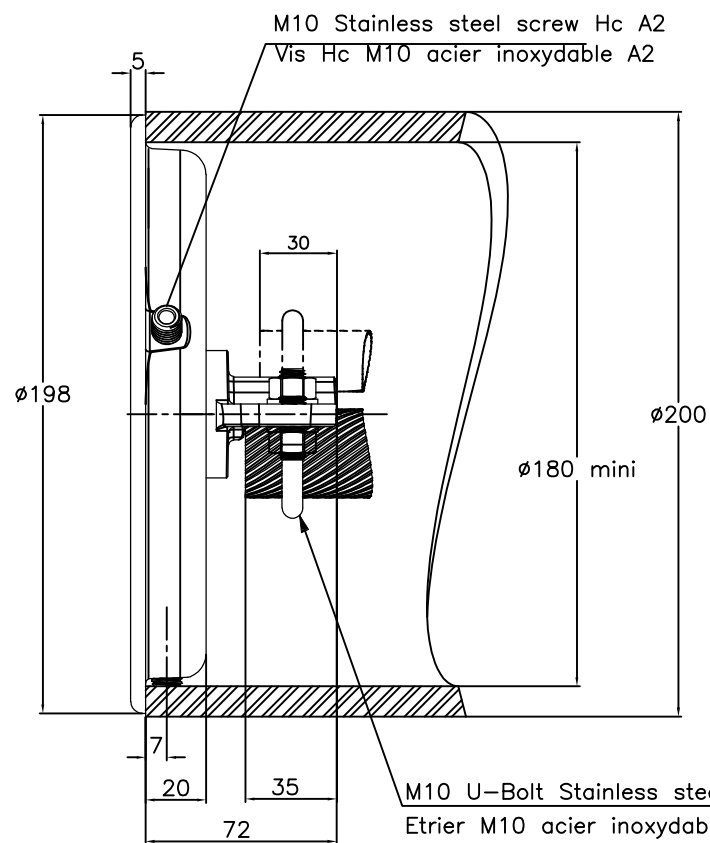
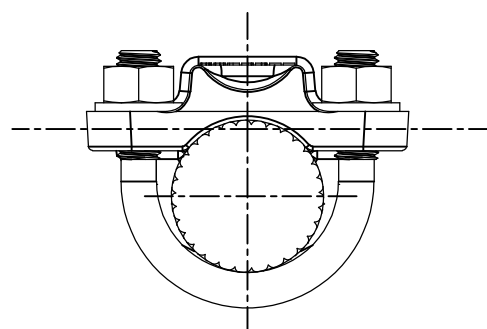
P	LTR	DESCRIPTION	DATE	DWN	APVD
	B	UPDATED DRAWING	05-Jan-17	GL	-



Cable 18DIA to 24 assembly
Assemblage pour cable ø18 à 24

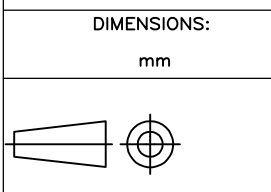


Cable 24DIA to 35 assembly
Assemblage pour cable ø24 à 35



THIS DRAWING IS A CONTROLLED DOCUMENT.

DWN MOYEUX 6-Dec-16



DIMENSIONS:	TOLERANCES UNLESS OTHERWISE SPECIFIED:
mm	
0 PLC	± -
1 PLC	± -
2 PLC	± -
3 PLC	± -
4 PLC	± -
ANGLES	± -
MATERIAL	FINISH
-	-

CHK	-
APVD	-
PRODUCT SPEC	108-69090-001
APPLICATION SPEC	-
WEIGHT	0.775 kg

NAME		RESTRICTED TO	
END CAP CABLE HOLDER		-	
BOUCHON PLAT PORT CABLE		-	
5 TABPC 82 T200 18/35 (OPC 200)		-	
SIZE	CAGE CODE	DRAWING NO	RESTRICTED TO
A3	00779	C=2301098	-

ITEM:.....

CUSTOMER DRAWING	SCALE 2/5	SHEET 1 OF 1	REV B
------------------	-----------	--------------	-------