

4

3

2

1

THIS DRAWING IS UNPUBLISHED.

RELEASED FOR PUBLICATION

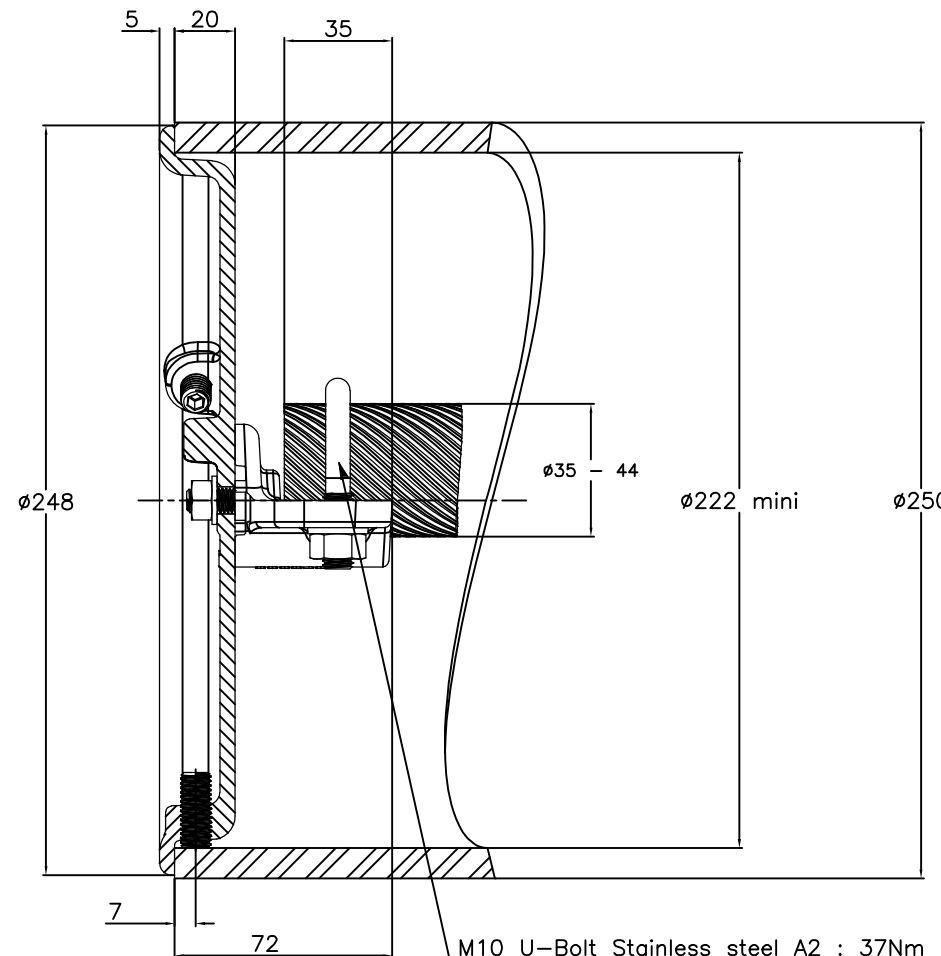
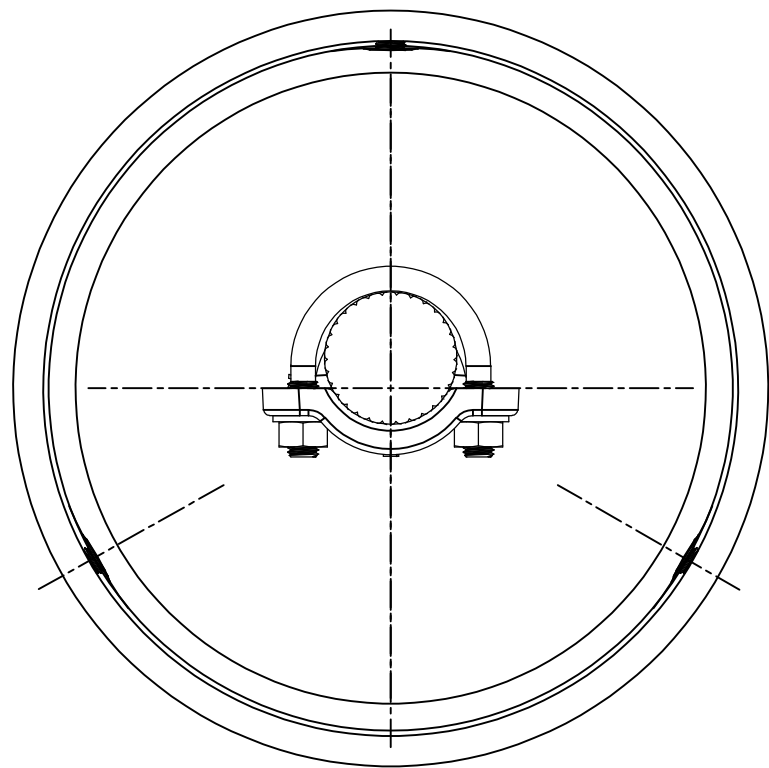
-. - .

© COPYRIGHT - By -

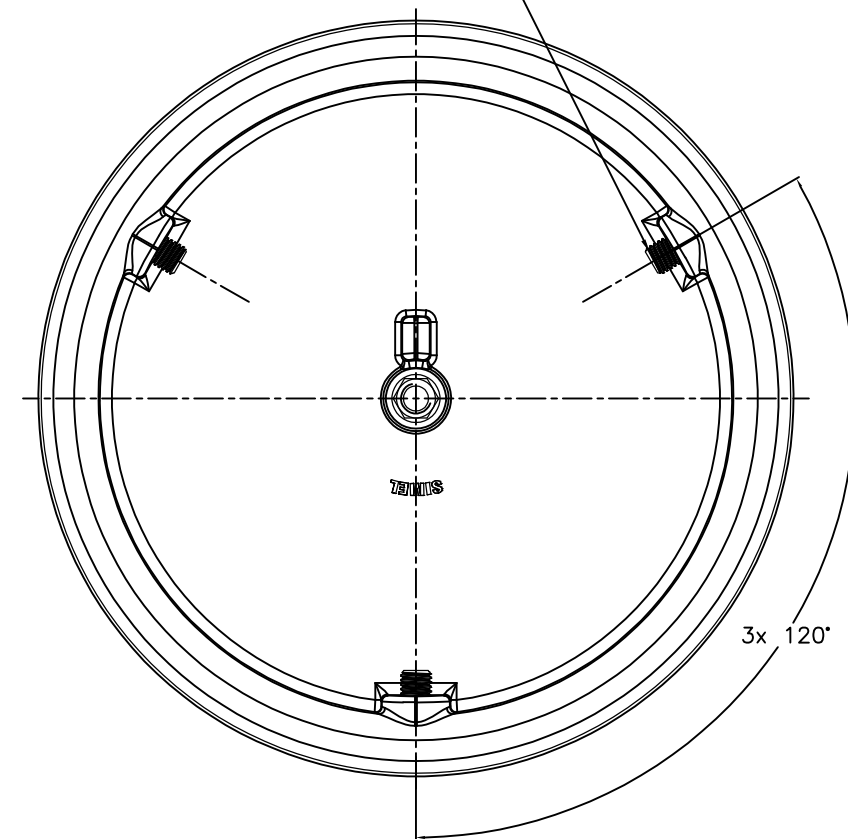
ALL RIGHTS RESERVED.

REVISIONS

P	LTR	DESCRIPTION	DATE	DWN	APVD
	A	CREATION	05-Jan-17	GL	-



3x Vis Hc M10, acier inoxydable A2
3x Screw Hc M10, stainless steel A2



M10 U-Bolt Stainless steel A2 : 37Nm
Etrier M10 acier inoxydable A2 : 37Nm

THIS DRAWING IS A CONTROLLED DOCUMENT.

DWN LAFORGE 06-Jan-17

CHK -

APVD -

PRODUCT SPEC

108-69090-001

APPLICATION SPEC

WEIGHT 2 kg

CUSTOMER DRAWING

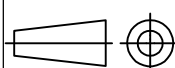
STE TE Connectivity

END CAP CABLE HOLDER
BOUCHON PLAT PORT CABLE
5 TABPC 82 T250 35/44

SIZE	CAGE CODE	DRAWING NO	RESTRICTED TO
A3	00779	C=2301101	-

SCALE	SHEET	REV
2/5	1 OF 1	A

DIMENSIONS:
mm



TOLERANCES UNLESS OTHERWISE SPECIFIED:

0 PLC	± -
1 PLC	± -
2 PLC	± -
3 PLC	± -
4 PLC	± -
ANGLES	± -
FINISH	-

MATERIAL

-

ITEM:.....