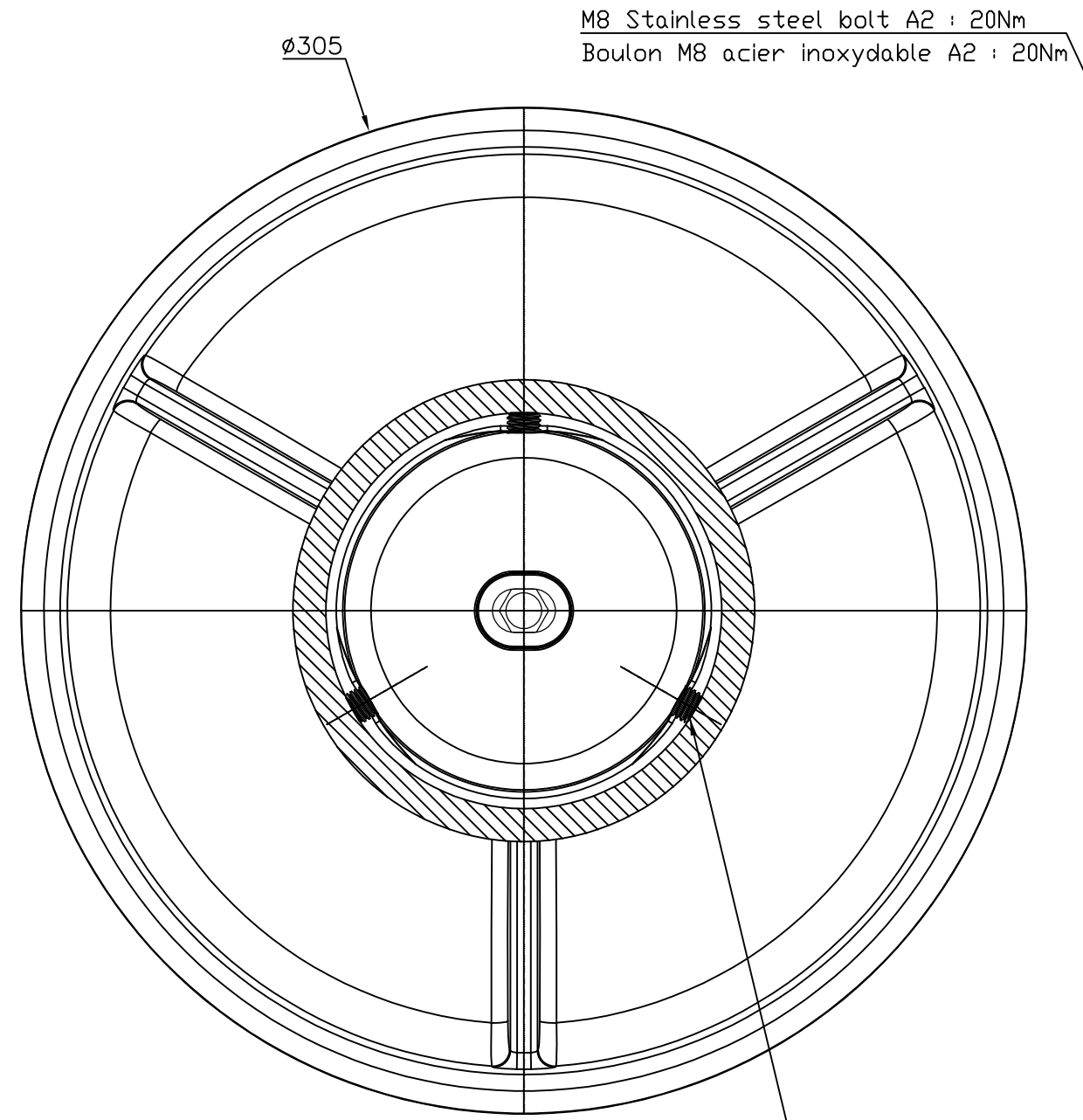
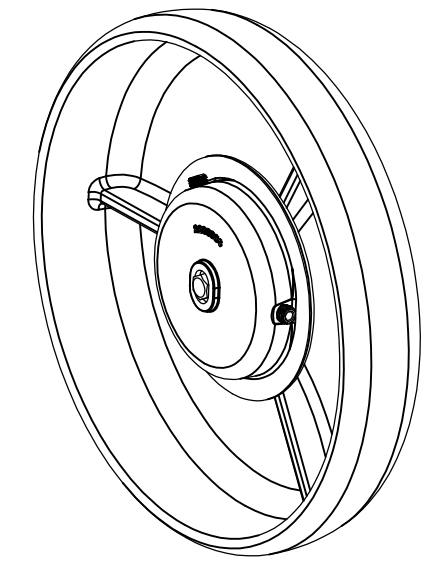
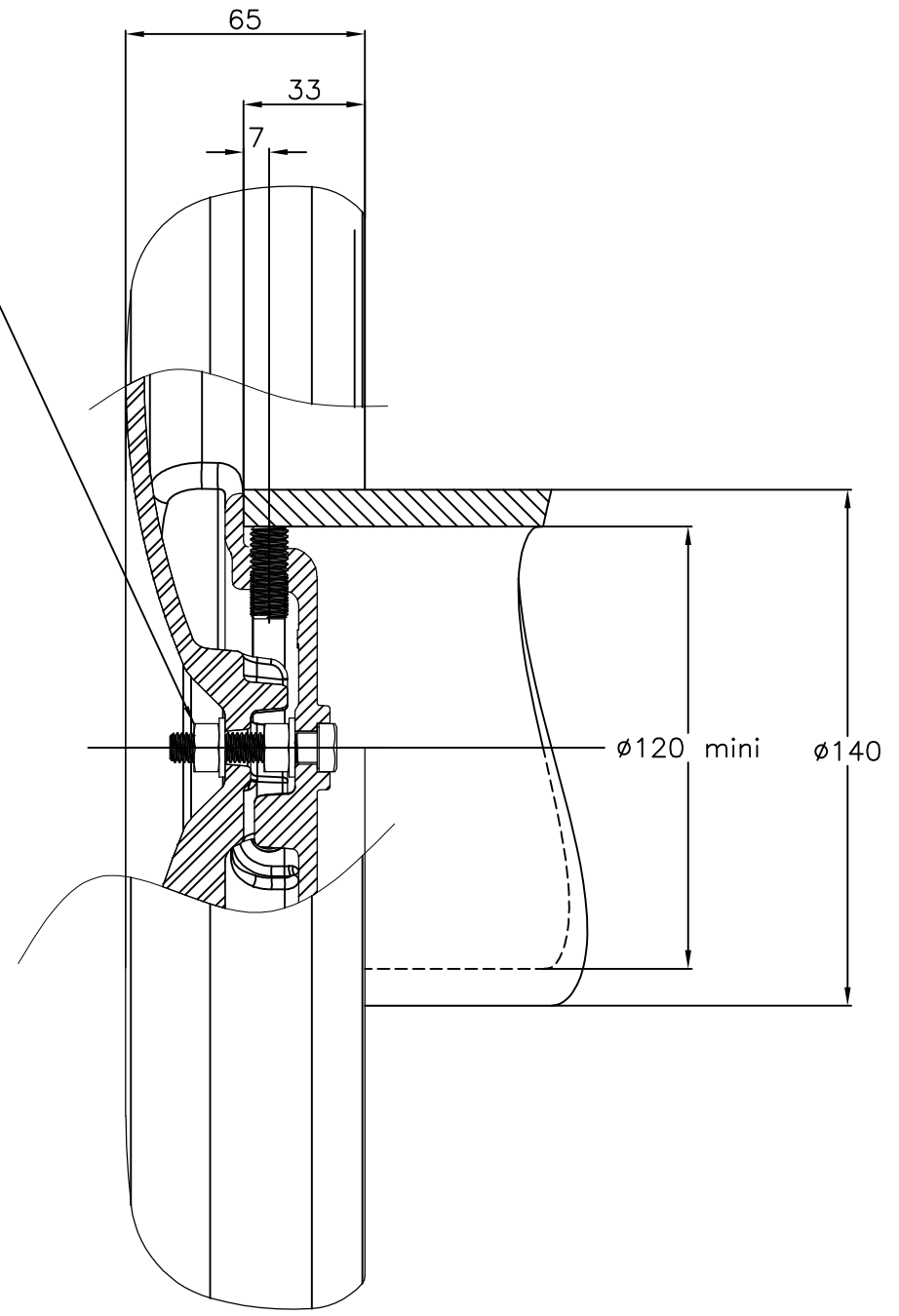


THIS DRAWING IS UNPUBLISHED. RELEASED FOR PUBLICATION  
 © COPYRIGHT - By - ALL RIGHTS RESERVED.

REVISIONS					
P	LTR	DESCRIPTION	DATE	DWN	APVD
	B	UPDATED DRAWING	06-Jan-17	GL	-



M8 Stainless steel bolt A2 : 20Nm  
 Boulon M8 acier inoxydable A2 : 20Nm


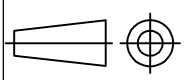


No scale  
 Sans echelle

Corona shield delivered not assembled  
 Capot corona livré séparément

M10 Stainless steel screw A2  
 Vis M10 acier inoxydable A2

ITEM: .....

THIS DRAWING IS A CONTROLLED DOCUMENT.		DWN GARNIER P.	12-Oct-16	 TE Connectivity	
DIMENSIONS: mm		CHK	-		
TOLERANCES UNLESS OTHERWISE SPECIFIED:		APVD	-	NAME END CAP WITH CORONA SHIELD FOR TUBE BOUCHON AVEC CAPOT CORONA POUR TUBE 5 TAPA 82 T140	
		PRODUCT SPEC	108-69090-001	SIZE A3	
MATERIAL		APPLICATION SPEC	-	CAGE CODE	00779
FINISH		WEIGHT	5.5 kg	DRAWING NO	C=2301104
		CUSTOMER DRAWING	SCALE	1/2	SHEET
				1 OF 1	REV
					B