

THIS DRAWING IS UNPUBLISHED.

RELEASED FOR PUBLICATION

ALL RIGHTS RESERVED.

© COPYRIGHT - By -

REVISIONS

P	LTR	DESCRIPTION	DATE	DWN	APVD
	A	CREATION	10-JUL-17	GL	-

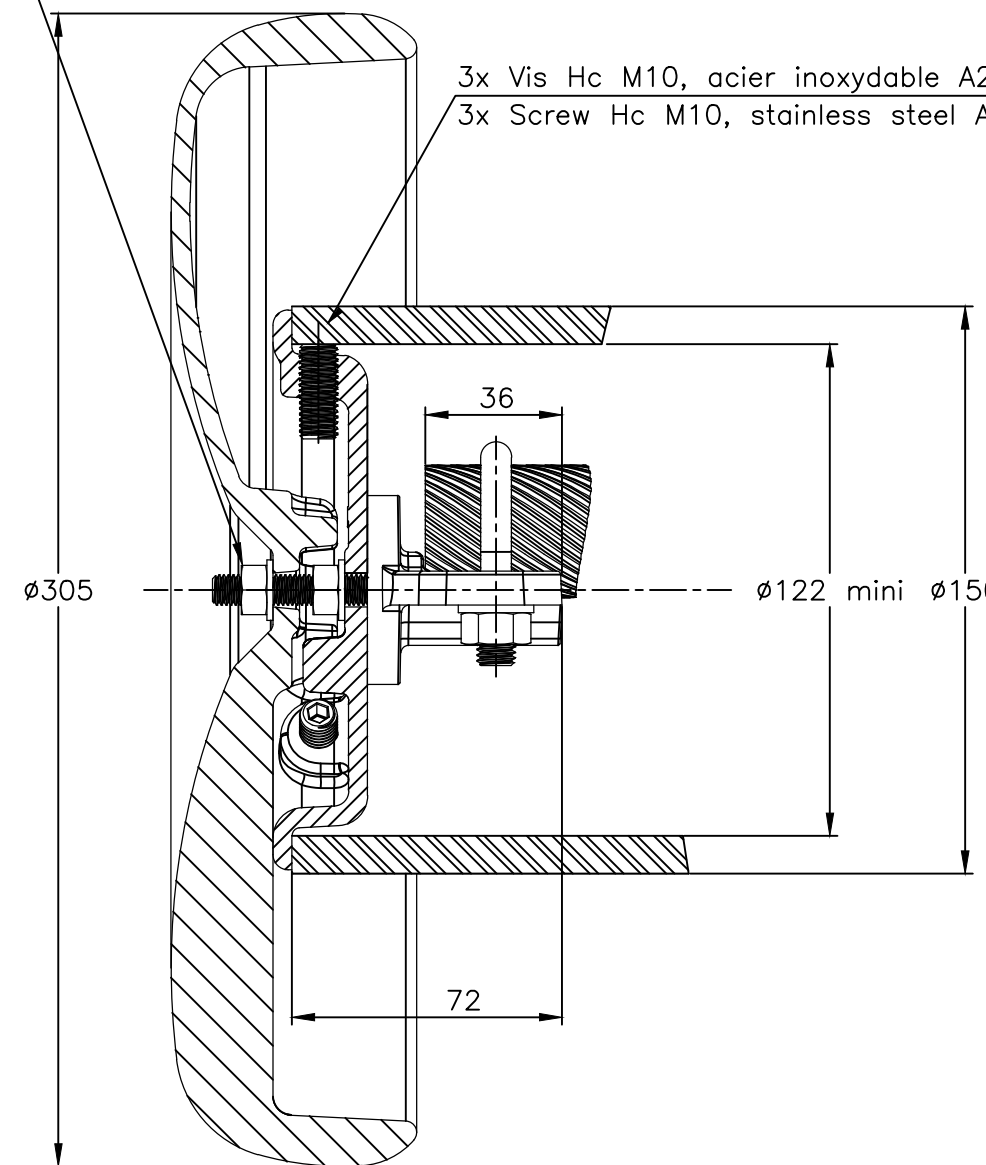
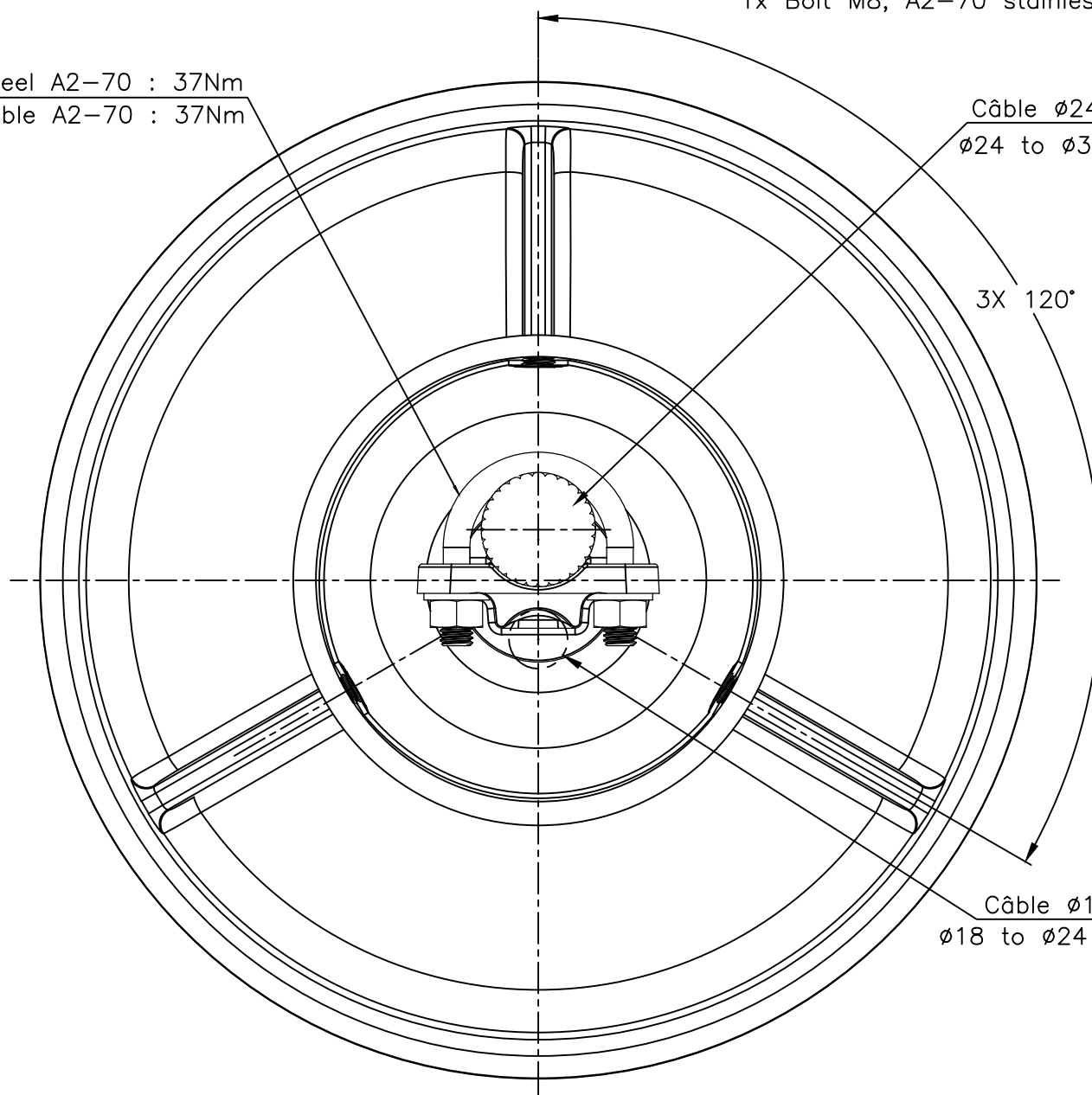
M10 U-Bolt Stainless steel A2-70 : 37Nm  
 Etrier M10 acier inoxydable A2-70 : 37Nm

1x Boulon M8 acier inoxydable A2-70: 20Nm  
 1x Bolt M8, A2-70 stainless steel: 20Nm


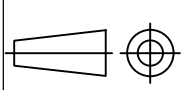
Câble ø24 à ø35  
 ø24 to ø35 Conductor

Câble ø18 à ø24  
 ø18 to ø24 Conductor

3x Vis Hc M10, acier inoxydable A2-70  
 3x Screw Hc M10, stainless steel A2-70



ITEM:.....

THIS DRAWING IS A CONTROLLED DOCUMENT.		DWN	10-JUL-17		 <b>TE Connectivity</b>
		CHK	-		
		APVD	-		
		PRODUCT SPEC	108-69090-001		
DIMENSIONS: mm		TOLERANCES UNLESS OTHERWISE SPECIFIED:		NAME <b>CORONA SHIELD END CAP CABLE HOLDER</b> <b>BOUCHON PARE-EFFLUVE PORTE CABLE</b> <b>5 TAPAC 82 T150 18/35</b>	
		0 PLC ± - 1 PLC ± - 2 PLC ± - 3 PLC ± - 4 PLC ± - ANGLES ± -		APPLICATION SPEC -	
MATERIAL		FINISH		SIZE <b>A3</b>	
-		-		CAGE CODE <b>00779</b>	
		WEIGHT <b>3.1 kg</b>		DRAWING NO <b>C=2301113</b>	
CUSTOMER DRAWING				RESTRICTED TO -	
			SCALE	1/2	
			SHEET	1 OF 1	
			REV	A	