

THIS DRAWING IS UNPUBLISHED.
DIFFUSION RESTREINTE

RELEASED FOR PUBLICATION
LIBRE A LA DIFFUSION

2011

LOC

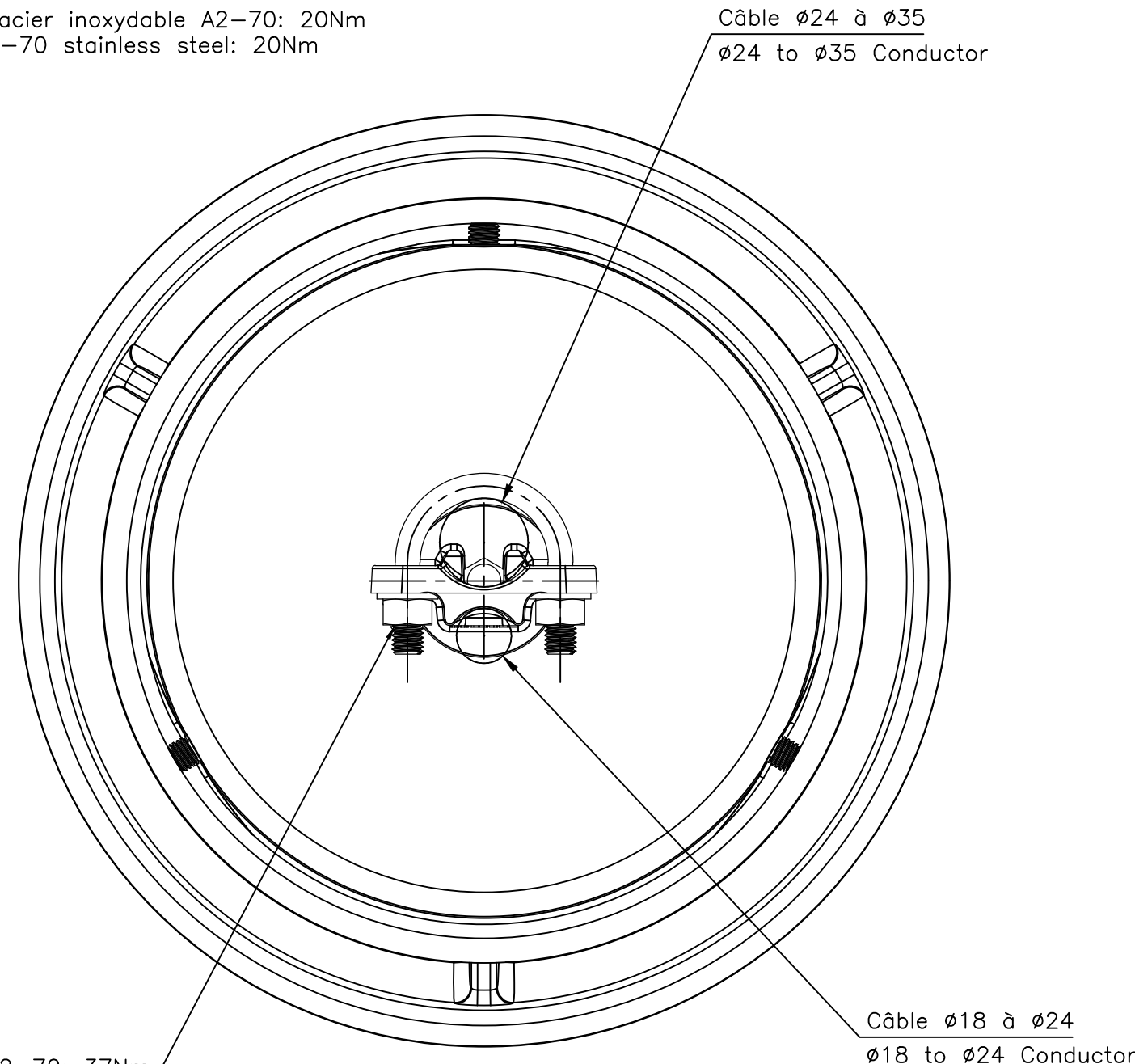
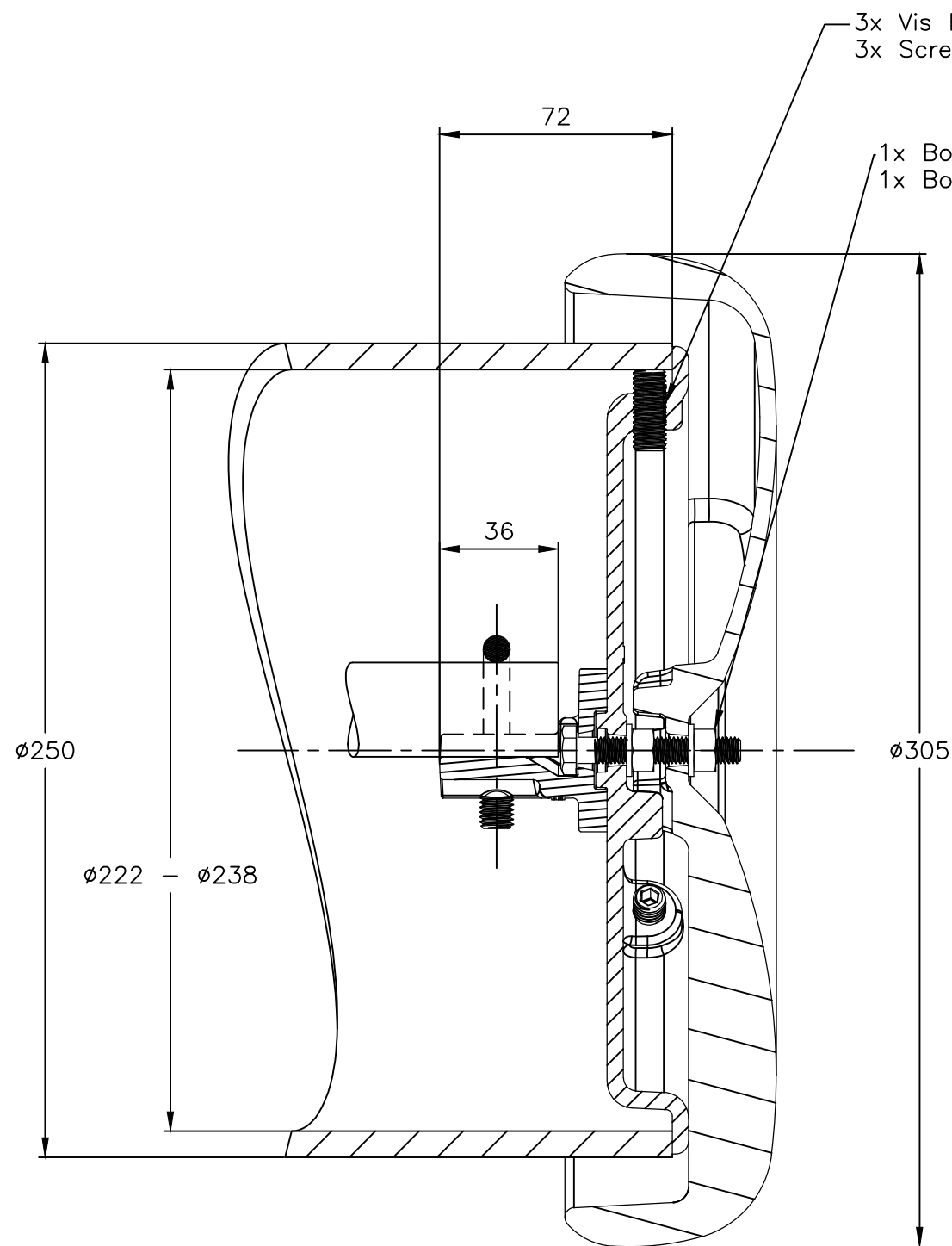
DIST

REVISIONS

© COPYRIGHT 2011 by Tyco Electronics Corporation

ALL RIGHTS RESERVED.
TOUS DROITS RESERVES

P	LTR REV	DESCRIPTION MODIFICATIONS	DATE	DWN DESS	APVD APPR
	A	CREATION	22-Mar-16	JG	-



THIS DRAWING IS A CONTROLLED DOCUMENT.
CE PLAN EST UN DOCUMENT CONTROLE PAR TYCO ELECTRONICS CORPORATION
IL EST SUSCEPTIBLE D'ETRE REVISE. POUR OBTENIR LA DERNIERE REVISION,
CONTACTER LE SERVICE TECHNIQUE DE TYCO ELECTRONICS SIMEL SAS,
21220 GEVREY-CHAMBERTIN, FRANCE.

DIMENSIONS: mm	TOLERANCES UNLESS OTHERWISE SPECIFIED PER TOLERANCES NON SPECIFIEES SELON : -
MATERIA MATIERE -	FINISH FINITION -

DWN /DESSINE GODARD	22-Mar-16
CHK/VERIFIE	-
APVD /APPROUVE	-
PRODUCT SPEC SPEC. PRODUIT	-
APPLICATION SPEC SPEC. APPLICATION	-
APPROX. WEIGHT MASSE APPROX.	8.21 kg



5 TAPAC 82 T250 18/35

SIZE FORMAT	CAGE CODE	DRAWING NO No PLAN	RESTRICTED TO RESERVE A
A3	00779	2301119	-
CUSTOMER DRAWING/PLAN CLIENT		UNIQUEMENT POUR REFERENCE	SCALE ECHELLE 1/2
		SHEET FEUILLE 1	OF DE 1
		REV	A

ITEM:.....