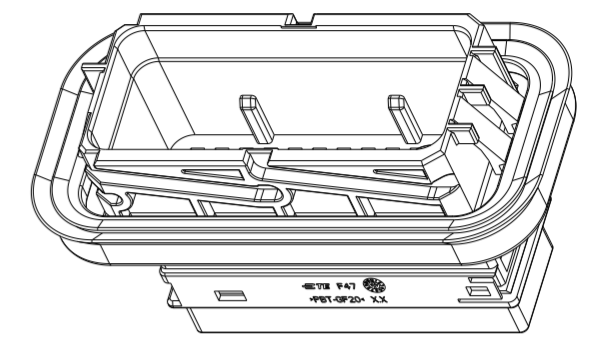
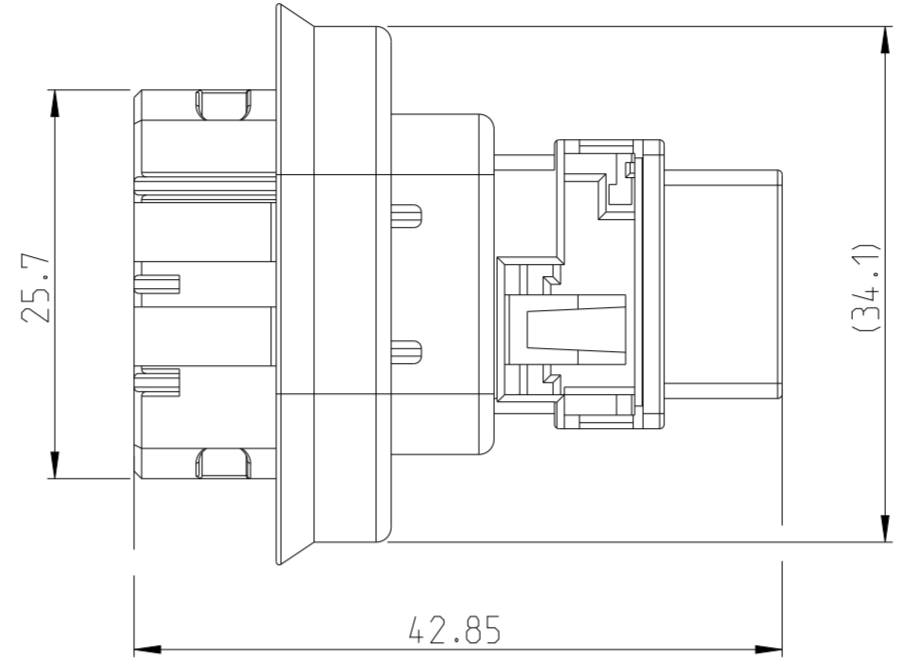
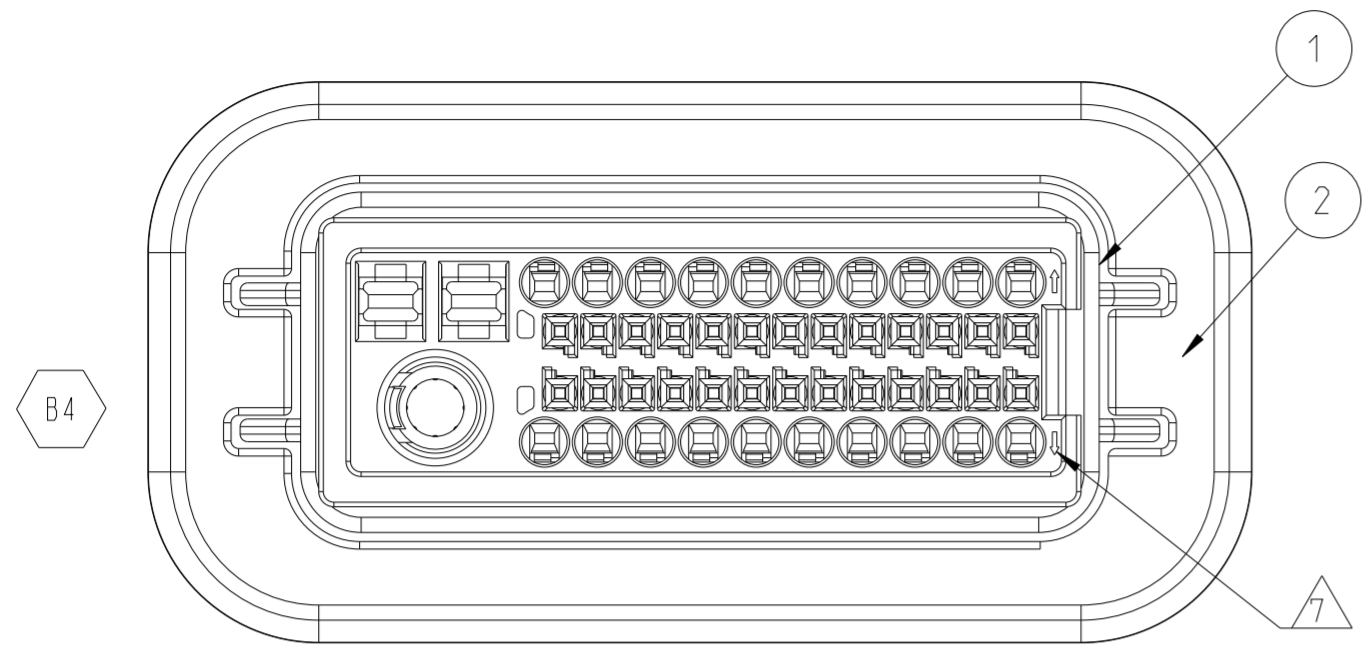
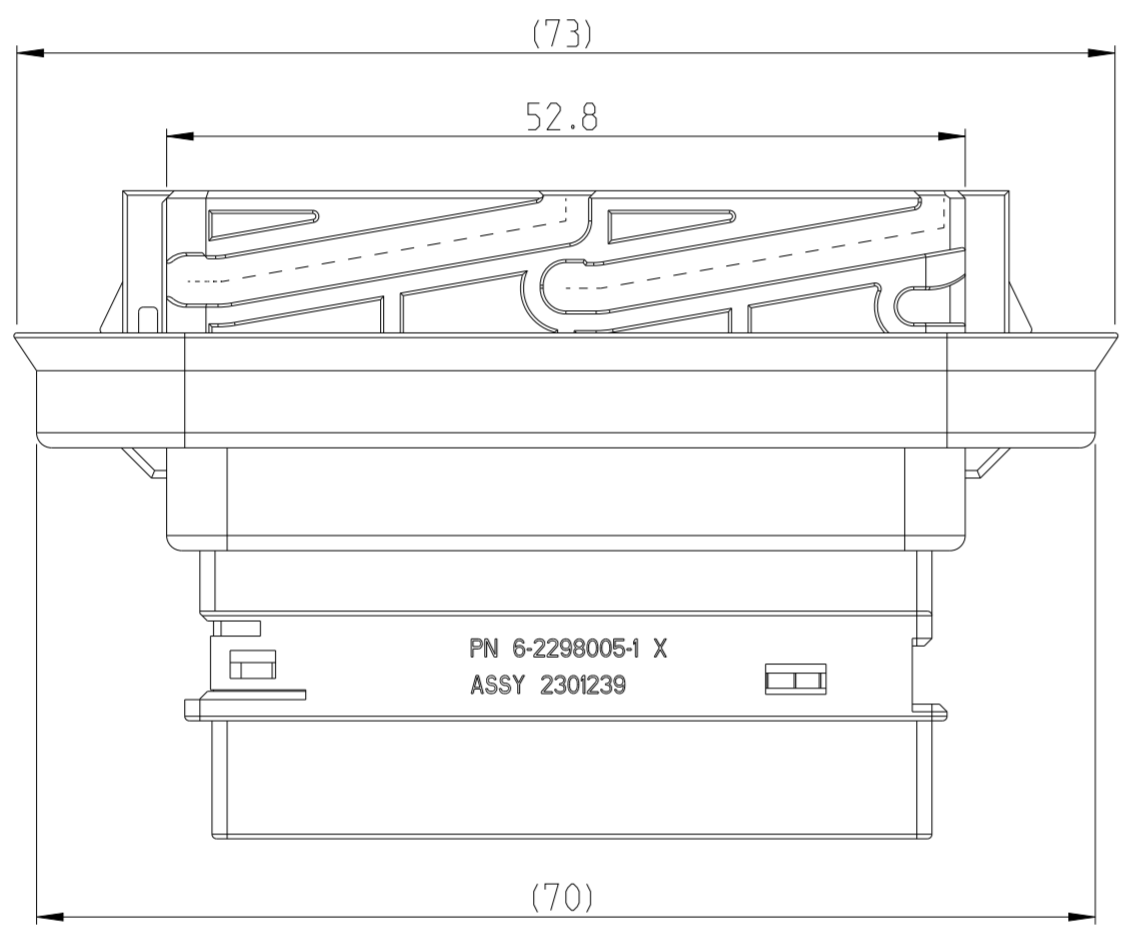


REVISIONS					
P	LTR	DESCRIPTION	DATE	DWN	APVD
B1		ECR-20-016100	13NOV2020	J.L	J.Z
B2		ECR-20-016873	30NOV2020	J.L	J.Z
B3		ECR-21-003185	15MAR2021	J.L	J.Z
B4		ECN-21-119436	28SEP2021	J.L	J.Z



TABEL 1 SUITABLE CONTACT

CONTACT	WIRE SIZE (mm ²)	PART NO.	REMARK
TAB 0.63	0.08-0.22	1355719	SEE DRAWING 929453
	0.13/0.17	2141828	
	0.25-0.35	928918	
	0.50-0.75	963716	
	0.22-0.35	2297494-1	
TAB 1.2	0.50-0.75	2293362-1	SEE DRAWING 2327063
	0.25-0.35	1718348	
	0.50-0.75	1718350	
	0.22-0.35	2294463-1	
TAB 2.8x0.8	0.50-0.75	2294463-2	SEE DRAWING 2294463
	1.0-1.5	2294463-3	
	0.20-0.50	964292	
	0.35	2141874	
FAKRA	>1.0-2.5	964294	SEE DRAWING 1355364
	-	1488171/1488147	
	-	59S100-102A4	
		OUTER SHIELD: 818015843 INNER CONTACT: 818013652 T SHIELD: 818017660	ECT



△ FIG. 1 SUITABLE PANEL THICKNESS 0.65~0.7MM

NOTE

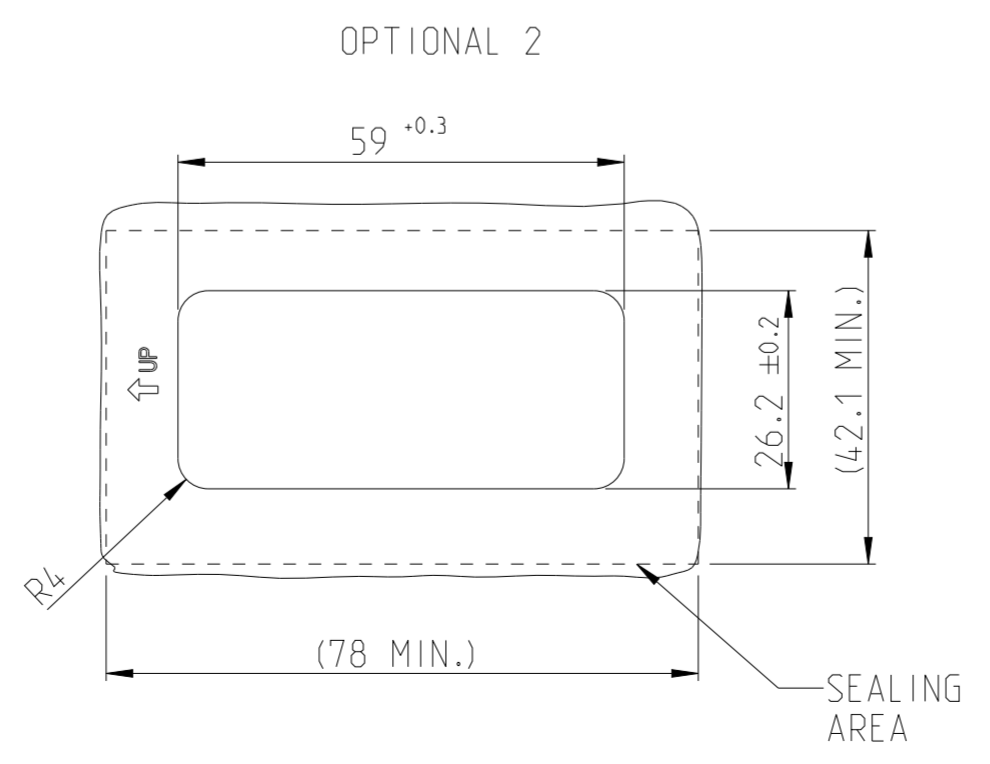
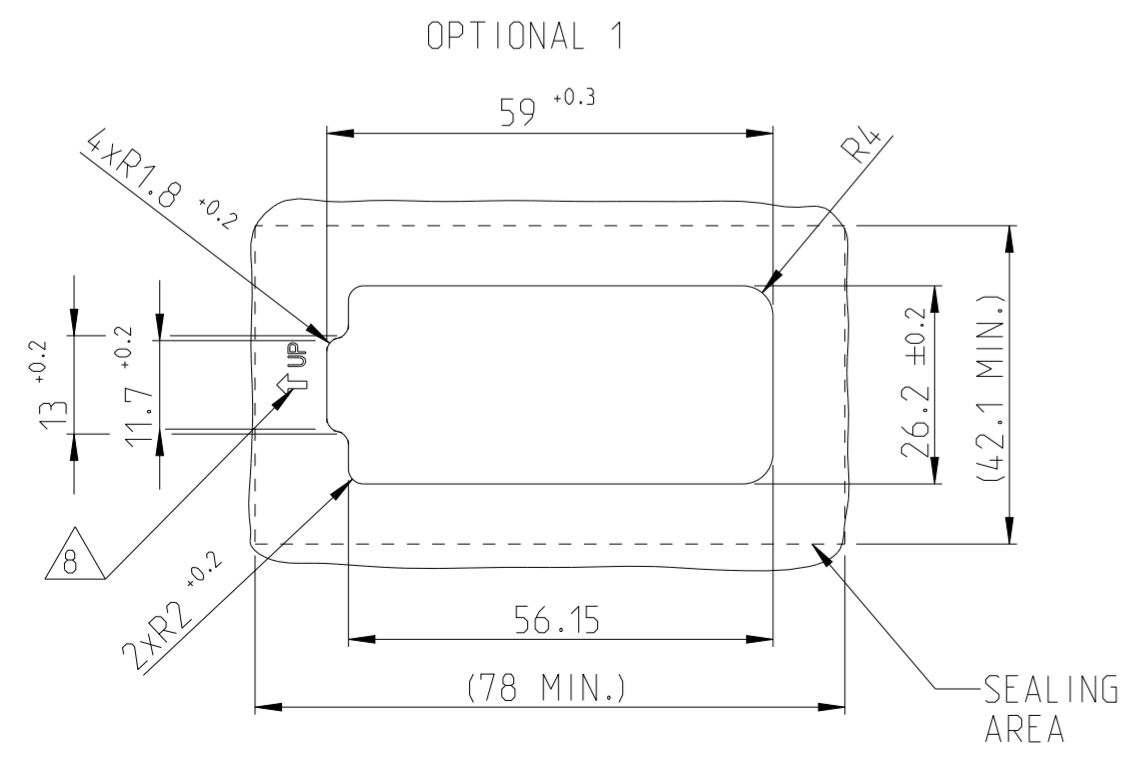
- SUITABLE CONTACT SEE TABLE 1
- SUITABLE PLUG CONNECTOR P/N 2301238-1
- USED WITH RETAINER 2298002 AND 2301241
- TE ASSY NO. SEE TABLE
- PACKAGE: LAYER IN BOX

△ 6 SUITABLE PANEL DIMENSION SEE FIG. 1

△ 7 BUMP OF MCON1.2 TERMINAL FACE DIRECTION DURING TERMINAL ASSEMBLY PROCESS

△ 8 RECOMMENDED PANEL MOUNTING DIRECTION

△ 9 CLAMP OPTIONAL FOR FAKRA CABLE
 P/N: 2400012-1 FOR WIRE RG174 (Ø2.8)
 P/N: 2400012-2 FOR WIRE RTK031 (Ø3.3)



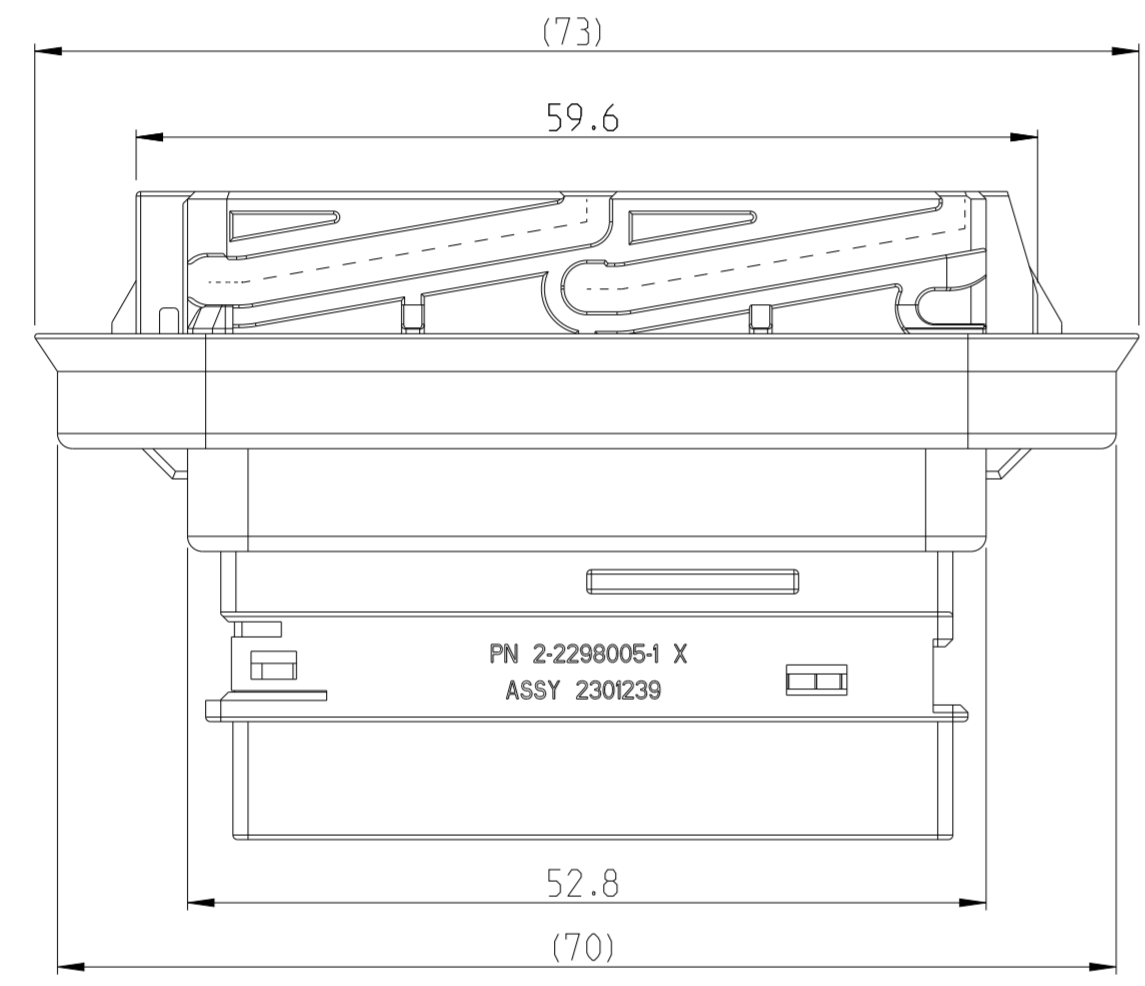
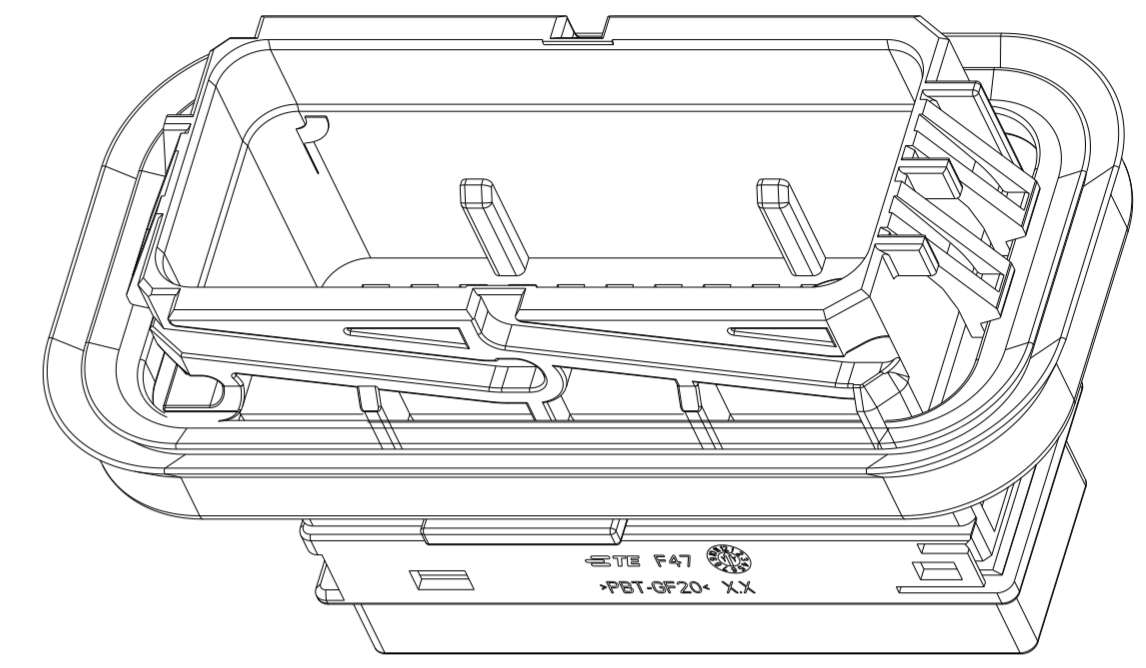
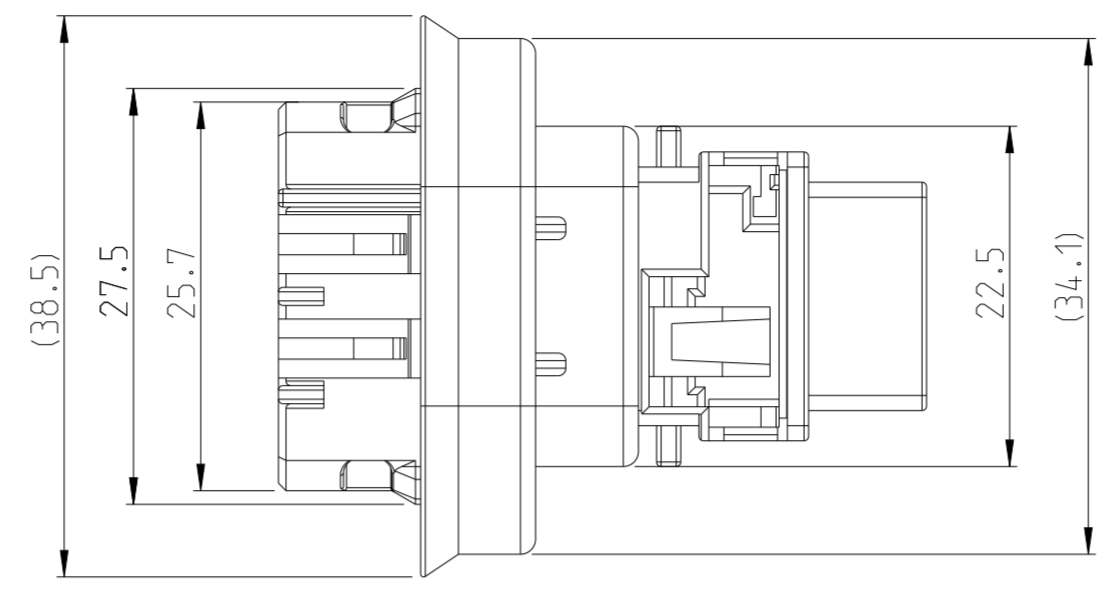
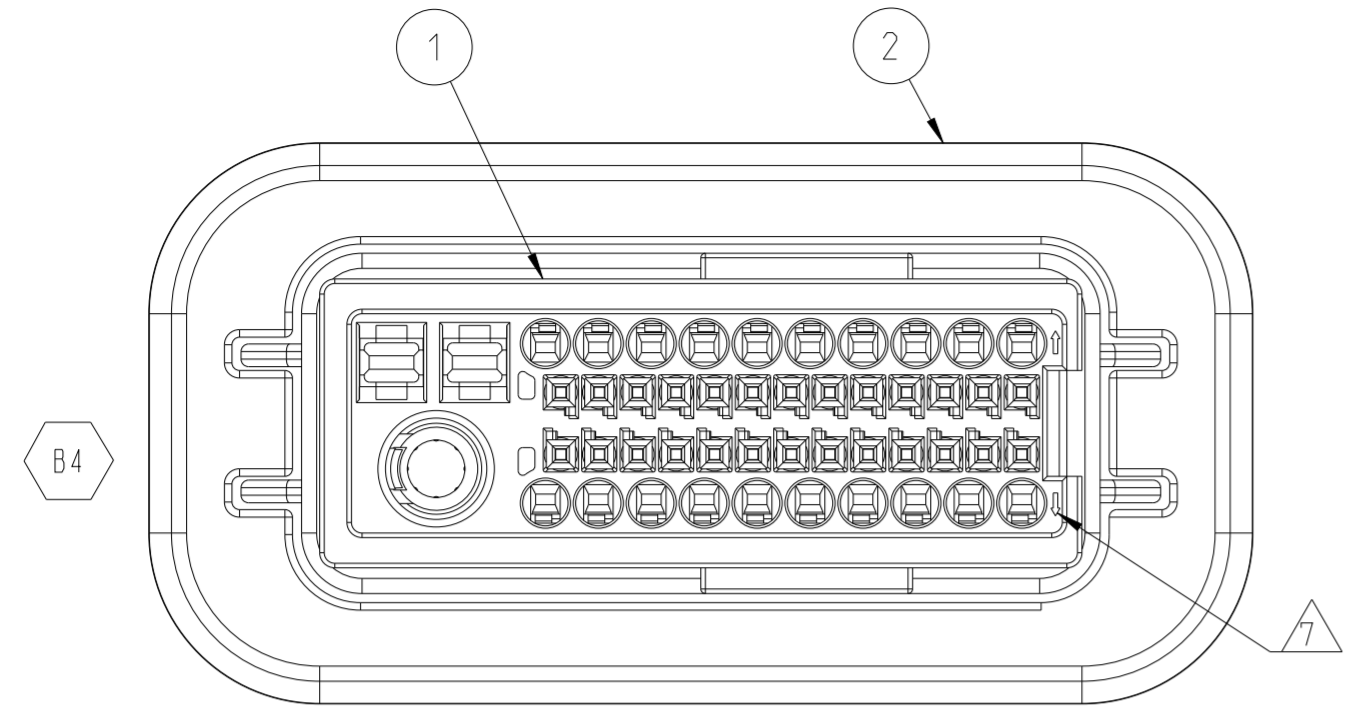
TE ASSY NO.	COLOR	MATERIAL	DESCRIPTION	QTY	ITEM
2301239-1	BLACK	EPDM	PANEL SEAL	1	2
	BLACK	PBT-GF20	HOUSING	1	1

THIS DRAWING IS A CONTROLLED DOCUMENT.

DIMENSIONS: mm	TOLERANCES UNLESS OTHERWISE SPECIFIED: ±0.3	DWN T.DONG 04NOV2016	TE Connectivity NAME: TAB HOUSING ASS'Y, DTB 49POSN., FAKRA TYPE SIZE: A2 CAGE CODE: 00779 DRAWING NO: C-2301239 RESTRICTED TO: -	
MATERIAL: SEE TABLE	FINISH: SEE TABLE	CHK S.WANG 04NOV2016		
		APVD J.YIN 04NOV2016		
		PRODUCT SPEC: - APPLICATION SPEC: - WEIGHT: -		
CUSTOMER DRAWING		SCALE: 1:1	SHEET: 1 OF 2	REV: B4

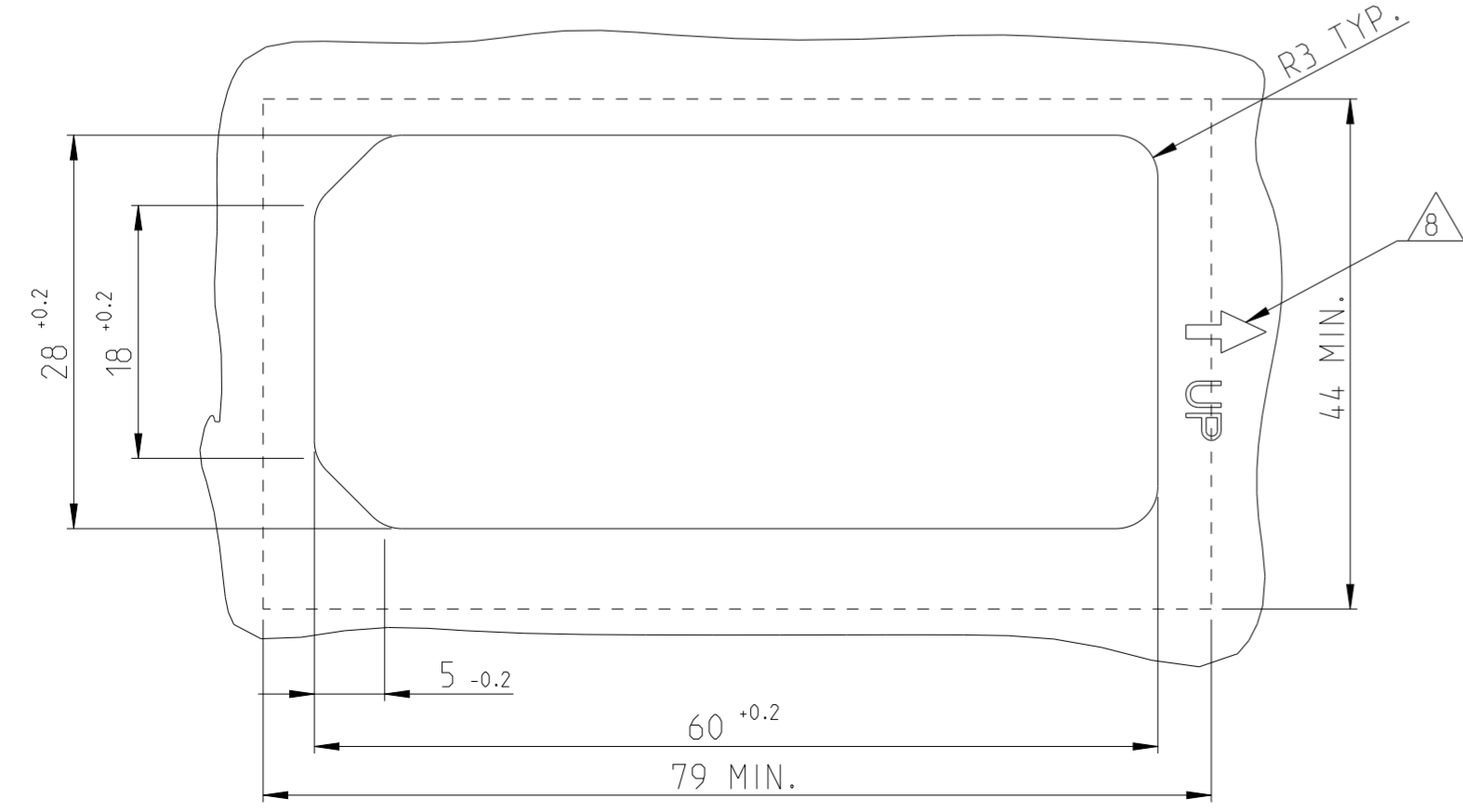
THIS DRAWING IS UNPUBLISHED. RELEASED FOR PUBLICATION 2016
 © COPYRIGHT 2016 BY TE Connectivity ALL RIGHTS RESERVED.

REVISIONS					
P	LTR	DESCRIPTION	DATE	DWN	APVD
-	-	SEE SHEET 1	-	-	-



- NOTE
- SUITABLE CONTACT SEE SHEET 1
 - SUITABLE PLUG CONNECTOR P/N 2-2301238-1
 - USED WITH RETAINER 2298002 AND 2301241
 - TE ASSY NO. SEE TABLE
 - PACKAGE: LAYER IN BOX
 - SUITABLE PANEL DIMENSION
 - BUMP OF MCON1.2 TERMINAL FACE DIRECTION DURING TERMINAL ASSEMBLY PROCESS
 - RECOMMENDED PANEL MOUNTING DIRECTION
 - SUITABLE CONTACT REFER TO SHEET 1

6 RECOMMEND PANEL SIZE, THICKNESS 0.65~0.7MM



2-2301239-1	BLACK	EPDM	PANEL SEAL	1	2
	NATURAL	PBT-GF20	HOUSING	1	1
TE ASSY NO.	COLOR	MATERIAL	DESCRIPTION	QTY	ITEM

THIS DRAWING IS A CONTROLLED DOCUMENT.		DWN T. DONG	04NOV2016	TE Connectivity NAME TAB HOUSING ASS'Y, DTB 49POSN., FAKRA TYPE													
DIMENSIONS: mm		CHK S. WANG	04NOV2016														
TOLERANCES UNLESS OTHERWISE SPECIFIED:		APVD I. YIN	04NOV2016														
<table border="1"> <tr> <td>Ø PLC</td> <td>±</td> </tr> <tr> <td>1 PLC</td> <td>±</td> </tr> <tr> <td>2 PLC</td> <td>±</td> </tr> <tr> <td>3 PLC</td> <td>±</td> </tr> <tr> <td>4 PLC</td> <td>±</td> </tr> <tr> <td>ANGLES</td> <td>±</td> </tr> <tr> <td>FINISH</td> <td>±</td> </tr> </table>		Ø PLC	±			1 PLC	±	2 PLC	±	3 PLC	±	4 PLC	±	ANGLES	±	FINISH	±
Ø PLC	±																
1 PLC	±																
2 PLC	±																
3 PLC	±																
4 PLC	±																
ANGLES	±																
FINISH	±																
MATERIAL SEE TABLE		SCALE A2		CAGE CODE 00779	DRAWING NO. C-2301239												
CUSTOMER DRAWING			RESTRICTED TO -	SHEET 2 OF 2	REV B4												