

THIS DRAWING IS UNPUBLISHED.

RELEASED FOR PUBLICATION

20%

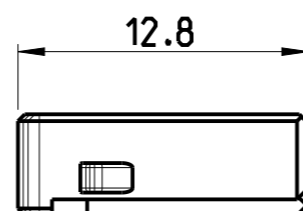
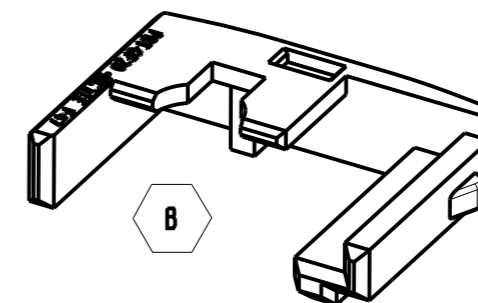
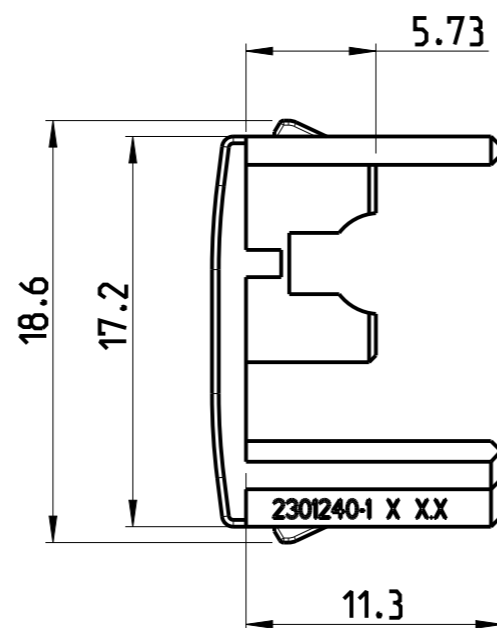
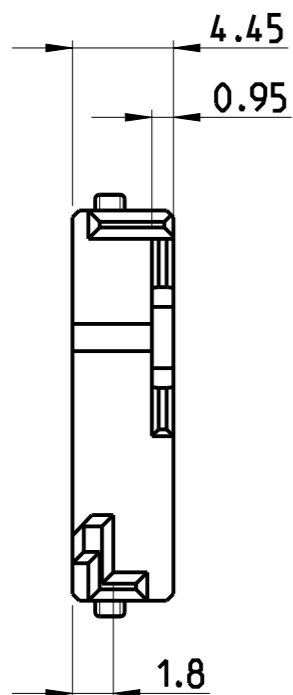
© COPYRIGHT 2016 BY TE Connectivity

ALL RIGHTS RESERVED.

REVISIONS

P	LTR	DESCRIPTION	DATE	DWN	APVD
A		NEW PRODUCT RELEASED	15DEC2016	T.D	I.Y
B		ECR-20-000096	14 JAN2020	J.L	I.Y
B1		NEW VARIANT ADDED	29DEC2020	T.D	J.Z

1 2301240-1 AS SHOWN

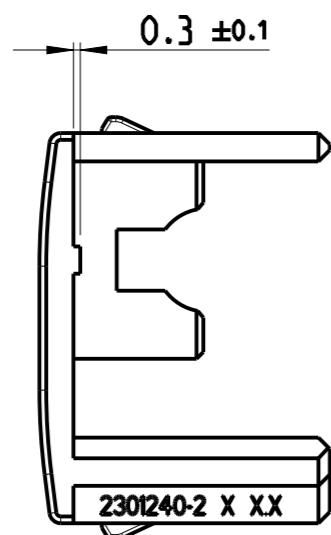
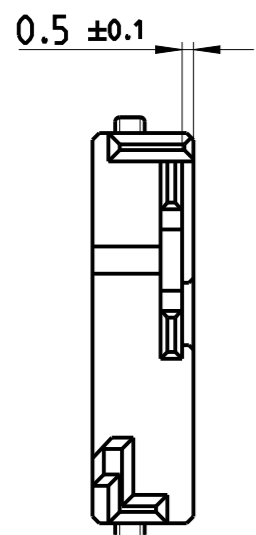


NOTES

- 1. SUITABLE HOUSING 2301238
- 2. PACKAGE IN BAG

2 -2 AS SHOWN

BI



2301240-2	A	RED	3000	PBT-GF20	SECONDARY LOCK	2
2301240-1	B	VIOLET	4006	PBT-GF20	SECONDARY LOCK	1
PART NO.	REV	COLOR	RAL	MATERIAL	DESCRIPTION	ITEM NO.

THIS DRAWING IS A CONTROLLED DOCUMENT.

DWN T.DONG 15DEC2016

CHK S.W ANG 15DEC2016

APVD L.YIN 15DEC2016

PRODUCT SPEC

APPLICATION SPEC

WEIGHT

CUSTOMER DRAWING



NAME SECONDARY LOCK, MCP2.8K/FAKRA DTB 49POSN.

SIZE CAGE CODE DRAWING NO RESTRICTED TO

A3 00779 C-2301240

SCALE 3:1 SHEET 1 OF 1 REV B1

DIMENSIONS:	TOLERANCES UNLESS OTHERWISE SPECIFIED:												
mm	±0.3												
	<table border="1"> <tr><td>0 PLC</td><td>±</td></tr> <tr><td>1 PLC</td><td>±</td></tr> <tr><td>2 PLC</td><td>±</td></tr> <tr><td>3 PLC</td><td>±</td></tr> <tr><td>4 PLC</td><td>±</td></tr> <tr><td>ANGLES</td><td>±</td></tr> </table>	0 PLC	±	1 PLC	±	2 PLC	±	3 PLC	±	4 PLC	±	ANGLES	±
0 PLC	±												
1 PLC	±												
2 PLC	±												
3 PLC	±												
4 PLC	±												
ANGLES	±												
MATERIAL SEE TABLE	FINISH SEE TABLE												