

THIS DRAWING IS UNPUBLISHED.

RELEASED FOR PUBLICATION

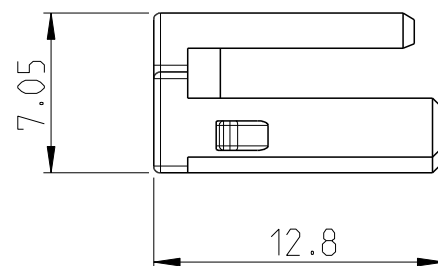
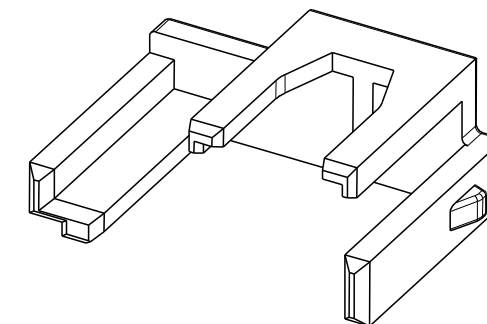
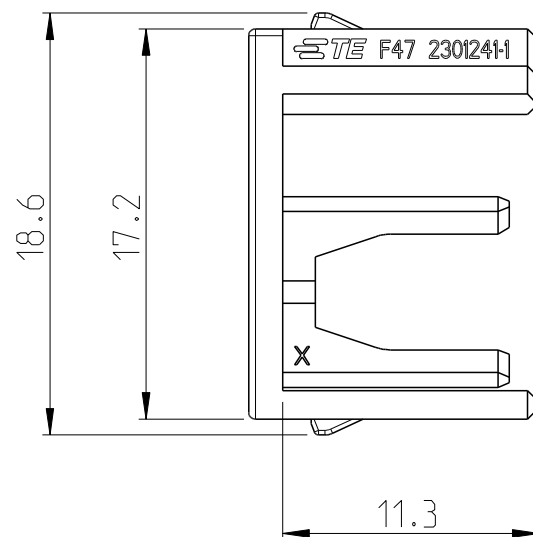
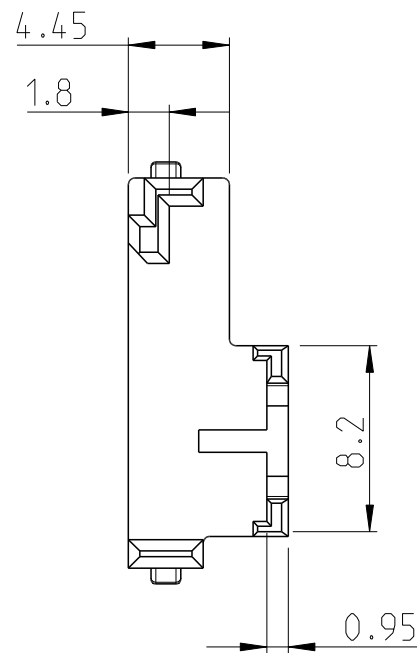
2016

© COPYRIGHT 2016 BY TE Connectivity

ALL RIGHTS RESERVED.

REVISIONS


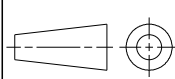
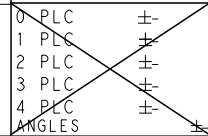
P	LTR	DESCRIPTION	DATE	DWN	APVD
	A	NEW PRODUCT RELEASED	15DEC2016	T.D	I.Y



NOTES

- 1. SUITABLE HOUSING 2301239
- 2. PACKAGE IN BAG

2301241-1	VIOLET	4006	PBT-GF20	SECONDARY LOCK	1
PART NO.	COLOR	RAL	MATERIAL	DESCRIPTION	ITEM NO.

THIS DRAWING IS A CONTROLLED DOCUMENT.		DWN T.DONG	15DEC2016	 TE Connectivity	
DIMENSIONS: mm		CHK S.WANG	15DEC2016		
TOLERANCES UNLESS OTHERWISE SPECIFIED:		APVD I.YIN	15DEC2016	NAME SECONDARY LOCK, TAB HSG, MCP2.8K/FAKRA DTB 49POSN.	
		 ±0.3		PRODUCT SPEC	
MATERIAL SEE TABLE		FINISH SEE TABLE		APPLICATION SPEC	
-		-		WEIGHT	
-		-		-	
CUSTOMER DRAWING			SCALE 3:1	SHEET 1 OF 1	REV A