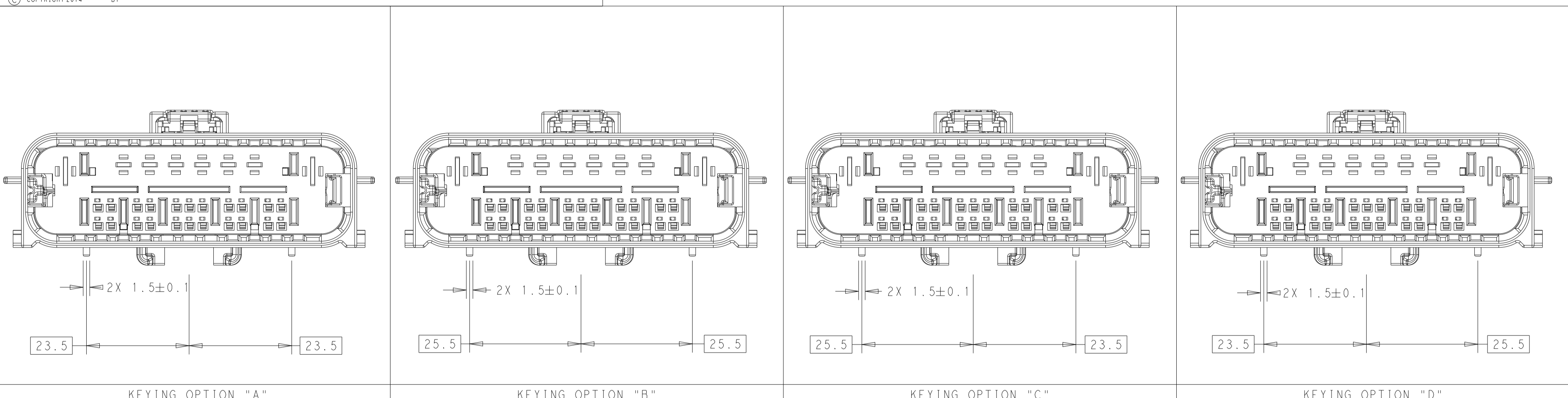
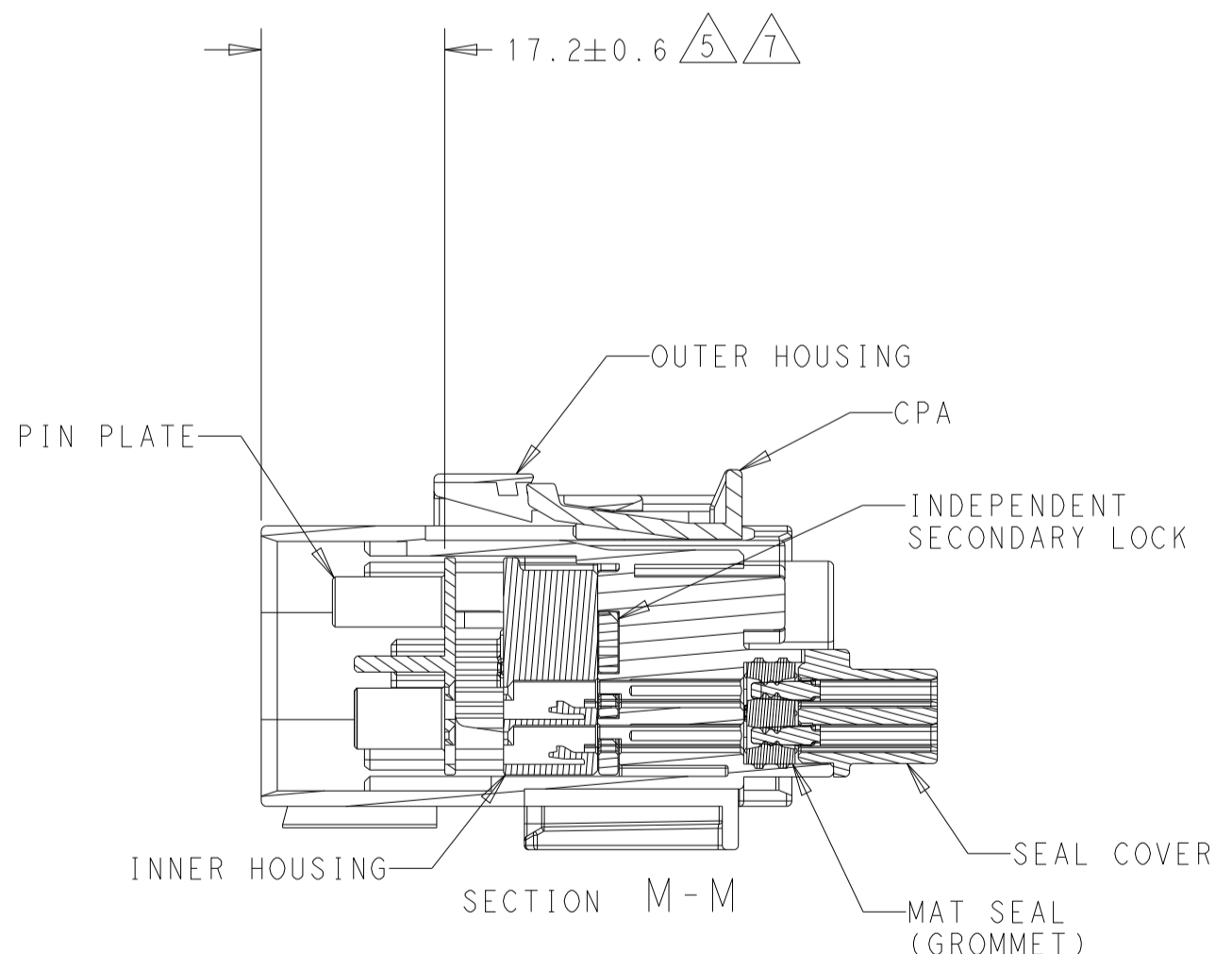
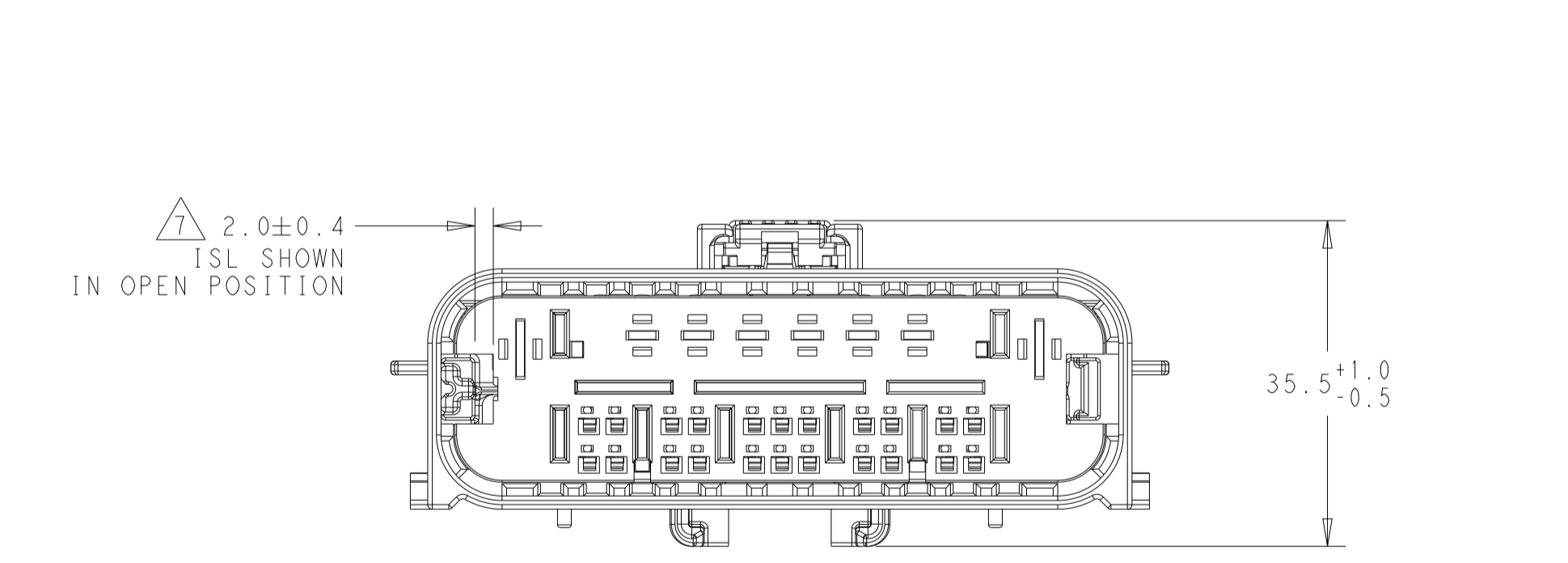
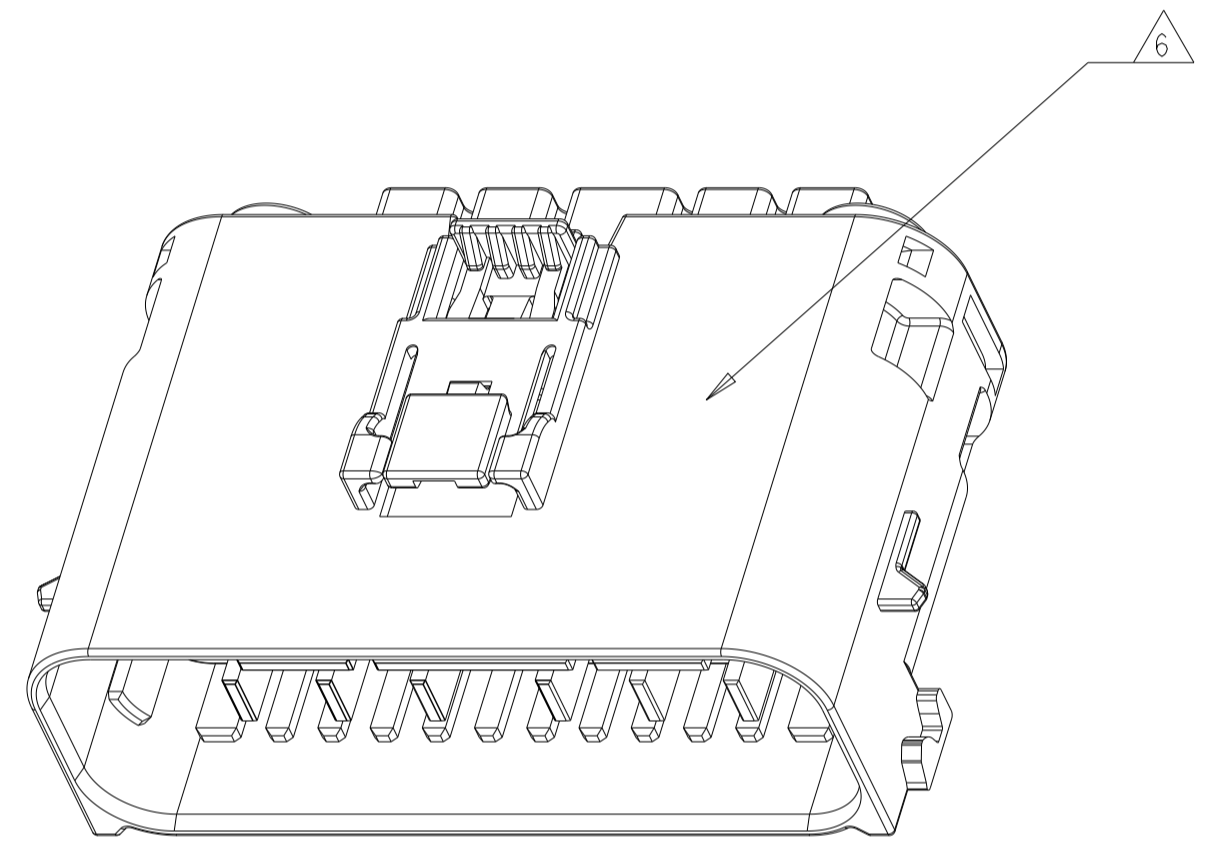
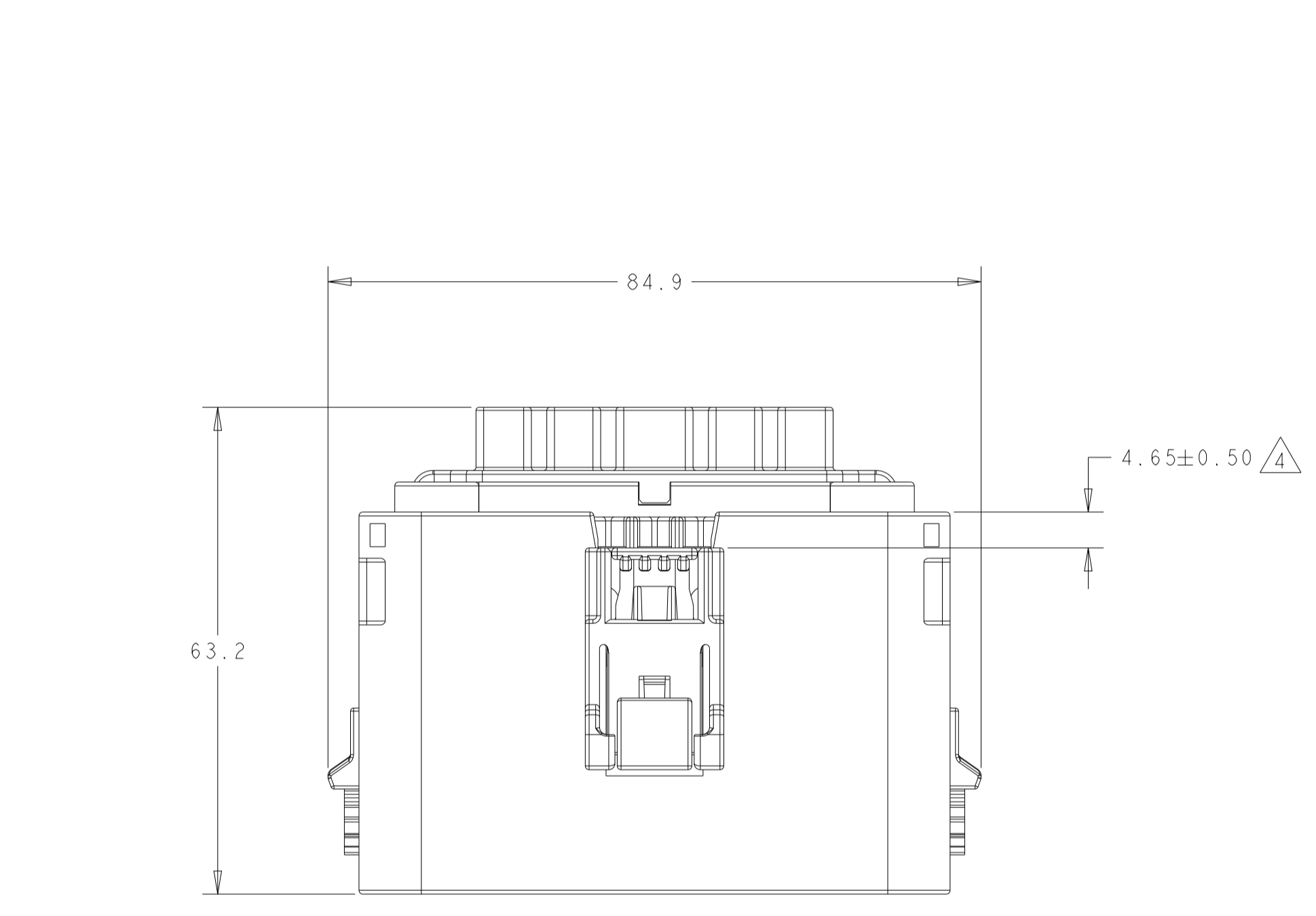


REVISIONS				
P	LTN	DESCRIPTION	DATE	OWN APVD
C15		REV PER ECN-23-225107	04AUG2023	CN GK
C16		REV PER ECN-24-250109	31JAN2024	CN GK
C17		REV PER ECN-24-260987	08MAY2024	CN CN
C18		REV PER ECN-24-274414	08JUL2024	CN CN

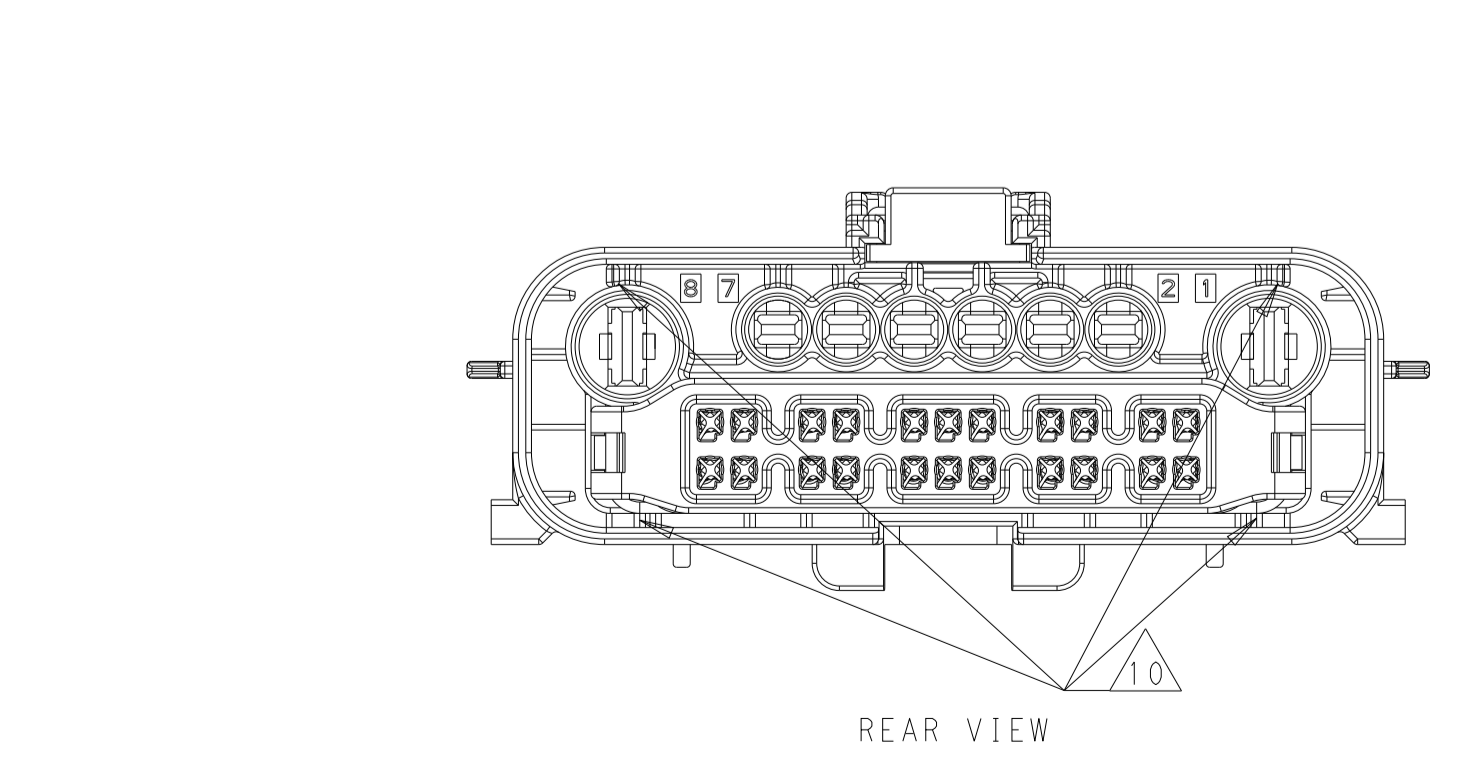


- NOTES:
- MATERIAL:
 INNER HOUSING-PBT, 30% GLASS FILLED, BLACK
 OUTER HOUSING-NYLON 6/6, 35% GLASS FILLED, SEE TABLE FOR COLOR
 MAT SEAL-SILICONE RUBBER, INHERENTLY LUBRICATED, LT BLUE
 SEAL COVER-PBT, 15% GLASS FILLED, BLACK
 ISL-PBT, 30% GLASS FILLED, LT GRAY
 PIN PLATE-PBT, 15% GLASS FILLED, WHITE
 CPA-PBT, 15% GLASS FILLED, RED
 - 2301461-1 SHOWN IN GENERAL VIEWS.
 - ISL SHOWN IN PRE-SET, SHIPPING POSITION.
 DIMENSION SHOWN FROM ISL TO INNER HOUSING
 - CPA SHOWN IN PRE-SET, SHIPPING POSITION.
 - PIN PLATE SHOWN IN PRE-SET, SHIPPING POSITION.
 - JULIAN DATE CODE (YYDD HH:MM:SS) AND ASSEMBLY PART NUMBER (XXXXXX-X) MARKED IN APPROXIMATE LOCATION.
 - IF SEATED IN SHIPPING, SEE INSTRUCTION SHEET 408-32159 FOR INSTRUCTIONS TO RETURN TO SHIPPING POSITION.
 - MATES WITH TE PLUG ASSEMBLY: 2301462-X
 - CLIP SLOT PER EWCAP-005-23, 23mm CLIP SLOT
 - VOID CORE, CONSTRUCTION OPTIONAL

KEYING OPTION "A" KEYING OPTION "B" KEYING OPTION "C" KEYING OPTION "D"



APPLICABLE COMPONENTS				
TERMINALS				
CIRCUITS	TERMINAL	MIN WIRE SIZE	MAX WIRE SIZE	PART #
1 AND 8	MCP 6.3	0.5mm ²	1.0mm ²	1-962917-1
		>1.0mm ²	2.5mm ²	1-962918-1
		4.0mm ²		1-962919-1
2 - 7	MCP 2.8	0.5mm ²	1.0mm ²	1-962915-1
		>1.0mm ²	2.5mm ²	1-962916-1
		0.35mm ²		1718348-1
9 - 30	MCON 1.2	0.5mm ²	0.75mm ²	1718350-1
		WIRE SEALS		
CIRCUITS	TERMINAL	MIN WIRE O.D.	MAX WIRE O.D.	PART #
1 AND 8	MCP 6.3	1.4	2.0	2177018-1
		2.0	2.7	1394511-1
		2.7	3.0	1823111-1
		3.4	3.7	1394512-1
		4.0	4.5	1719043-1
2 - 7	MCP 2.8	1.4	2.0	828904-1
		2.2	3.0	828905-1
CAVITY PLUGS				
CIRCUITS	TERMINAL	PART #		
1 AND 8	MCP 6.3	967652-1		
2 - 7	MCP 2.8	828922-1		
9 - 30	MCON 1.2	2304518-1		



THIS DRAWING IS A CONTROLLED DOCUMENT. OWN: R. HETRICK 18APR2016 **STE** TE Connectivity

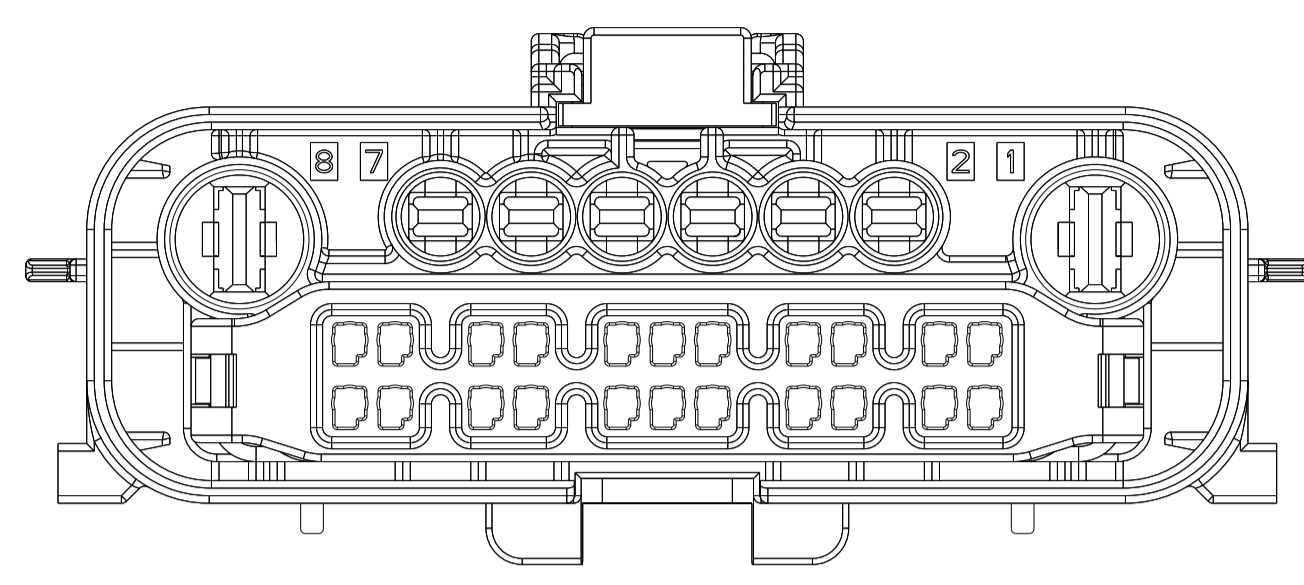
CHK: R. HETRICK 18APR2016 APVD: R. HETRICK 18APR2016 NAME: 30P SEALED HYBRID CAP ASSEMBLY

DIMENSIONS: TOLERANCES UNLESS OTHERWISE SPECIFIED: PRODUCT SPEC APPLICATION SPEC SIZE: A1 CAGE CODE: - DRAWING NO: C=2301461 RESTRICTED TO: -

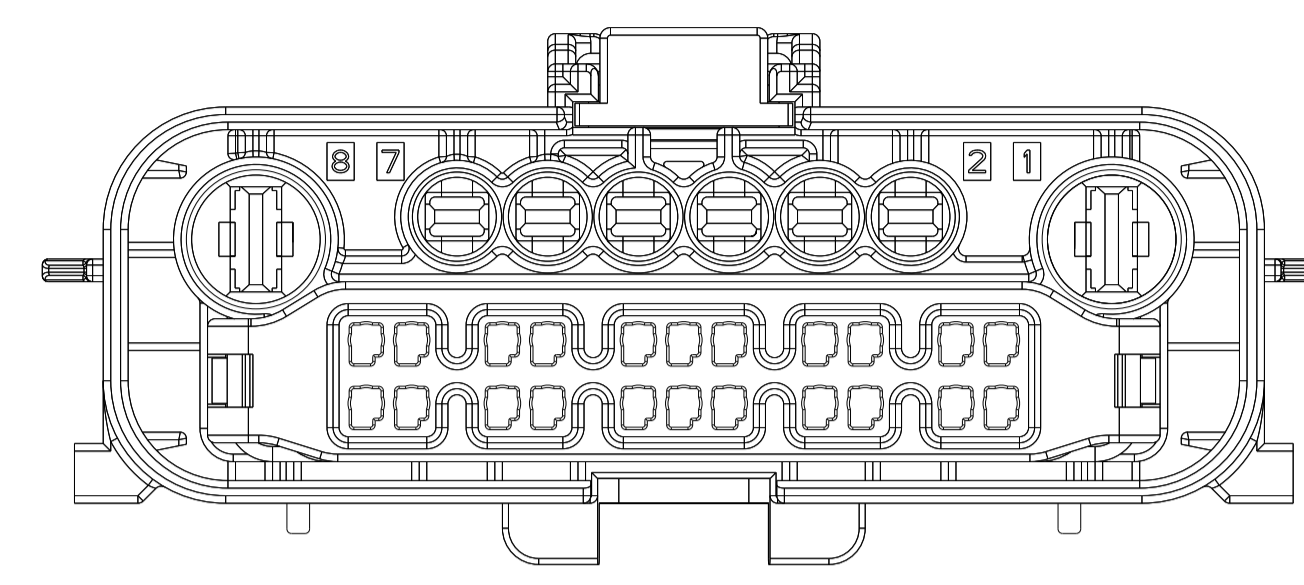
mm: 0 PLC ± 1 PLC ±0.5 2 PLC ±0.3 3 PLC ± 4 PLC ± ANGLES ±° FINISH WEIGHT: - SCALE: 3:2 SHEET: 1 of 6 REV: C18

MATERIAL: CUSTOMER DRAWING DATE: 08JUL2024

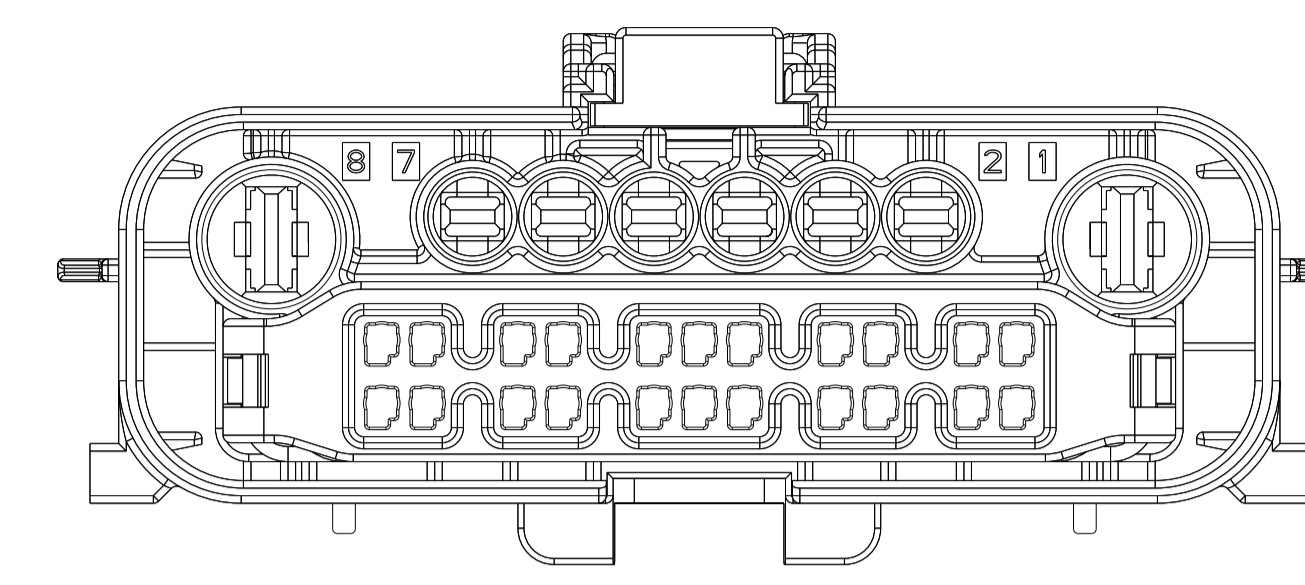
REVISIONS				
P	LTR	DESCRIPTION	DATE	APPV
-	-	SEE SHEET 1	-	-
-	-	-	-	-
-	-	-	-	-



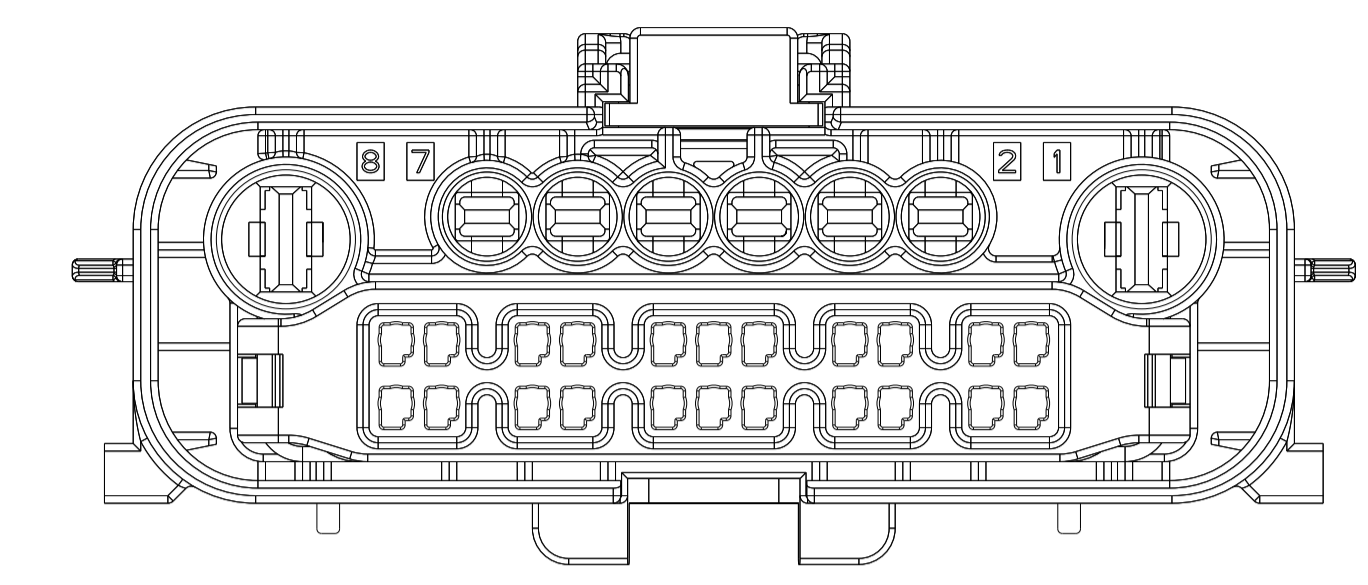
2301461-1
KEY A - BLACK



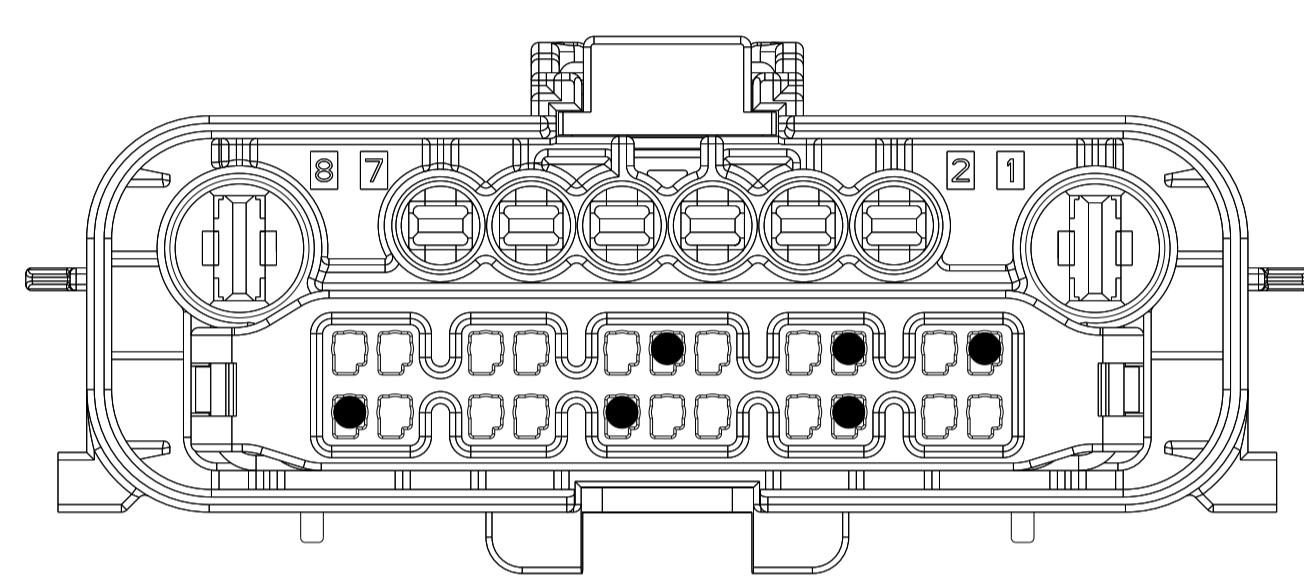
2301461-2
KEY B - LT GRAY



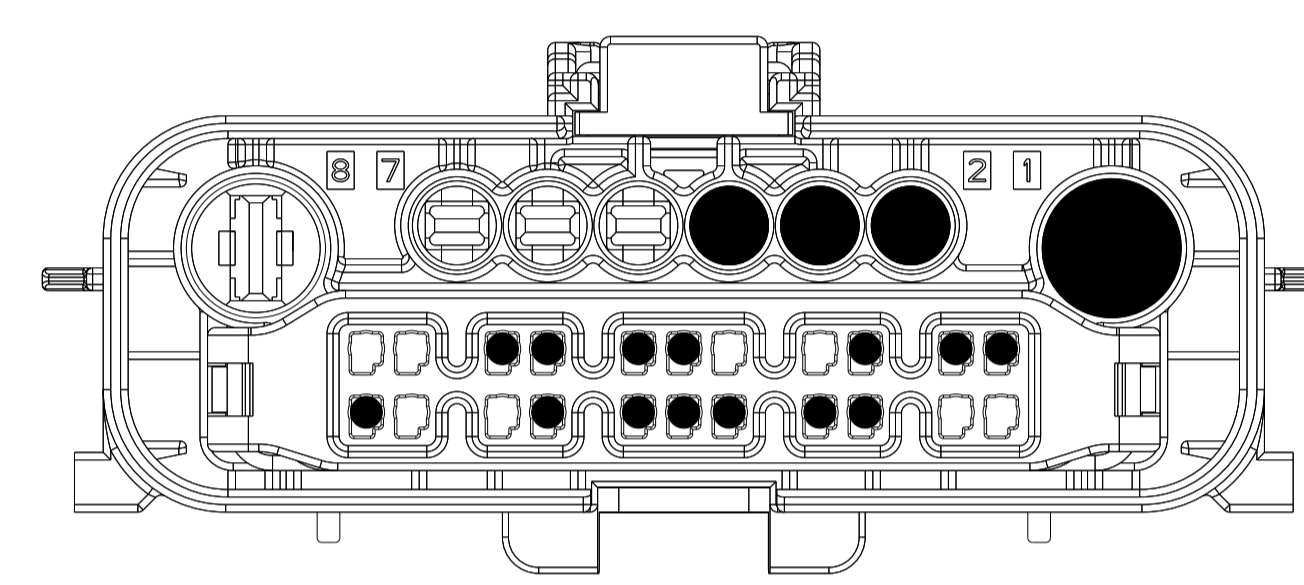
2301461-3
KEY C - DK GRAY



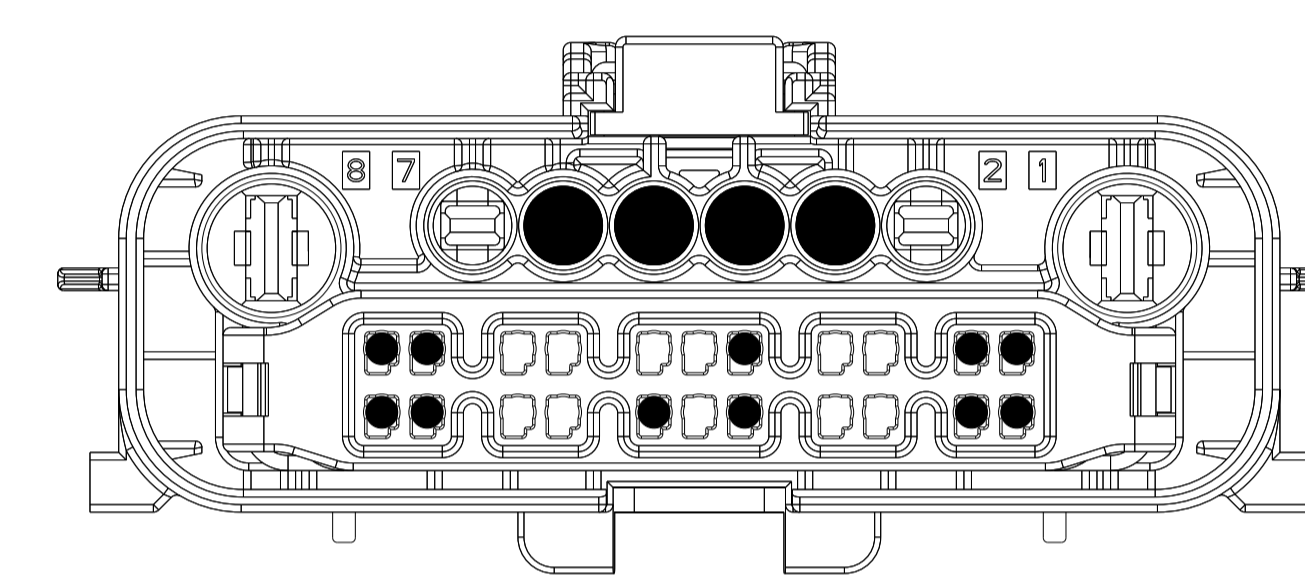
2301461-4
KEY D - BLACK



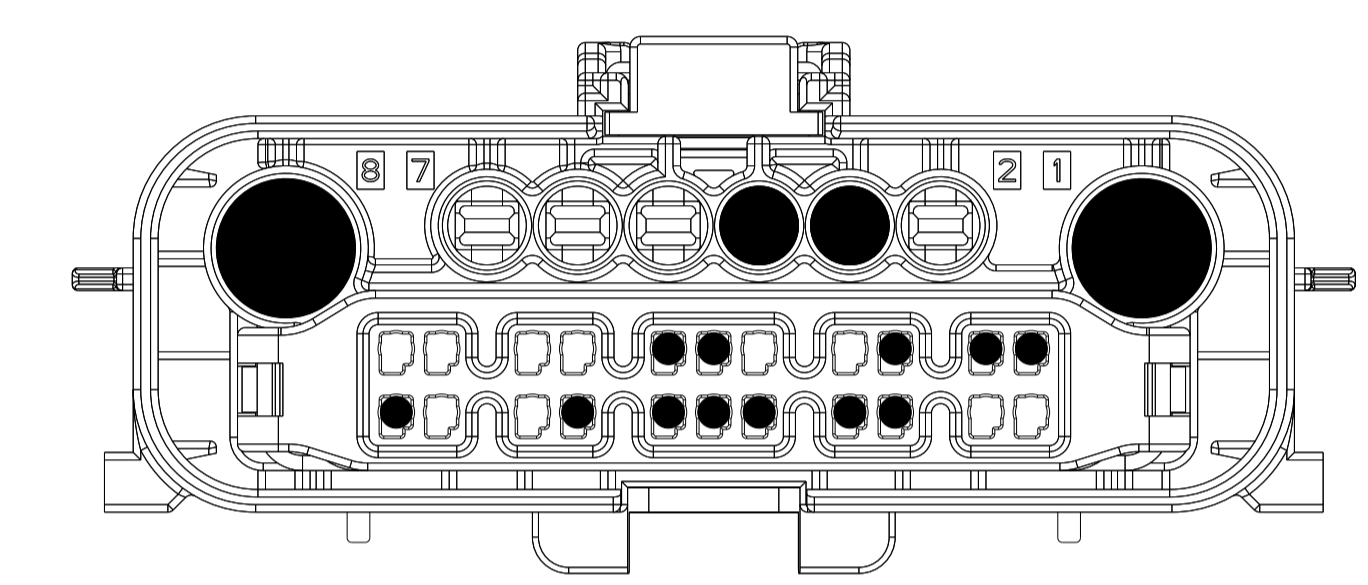
2301461-5
KEY A - BLACK



2301461-6
KEY A - BLACK



2301461-7
KEY A - BLACK



2301461-8
KEY A - BLACK

CIRCUITS WITH SHADED CIRCLES ARE BLOCKED

TOOLING STATUS	30	29	28	27	26	25	24	23	22	21	20	19	18	17	16	15	14	13	12	11	10	9	8	7	6	5	4	3	2	1	COLOR	KEY	ASSEMBLY PART #
TOOLED																															BLACK	A	2301461-8
TOOLED																															BLACK	A	2301461-7
TOOLED																															BLACK	A	2301461-6
TOOLED																															BLACK	A	2301461-5
TOOLED																															BLACK	D	2301461-4
TOOLED																															DK GRAY	C	2301461-3
TOOLED																															LT GRAY	B	2301461-2
TOOLED																															BLACK	A	2301461-1

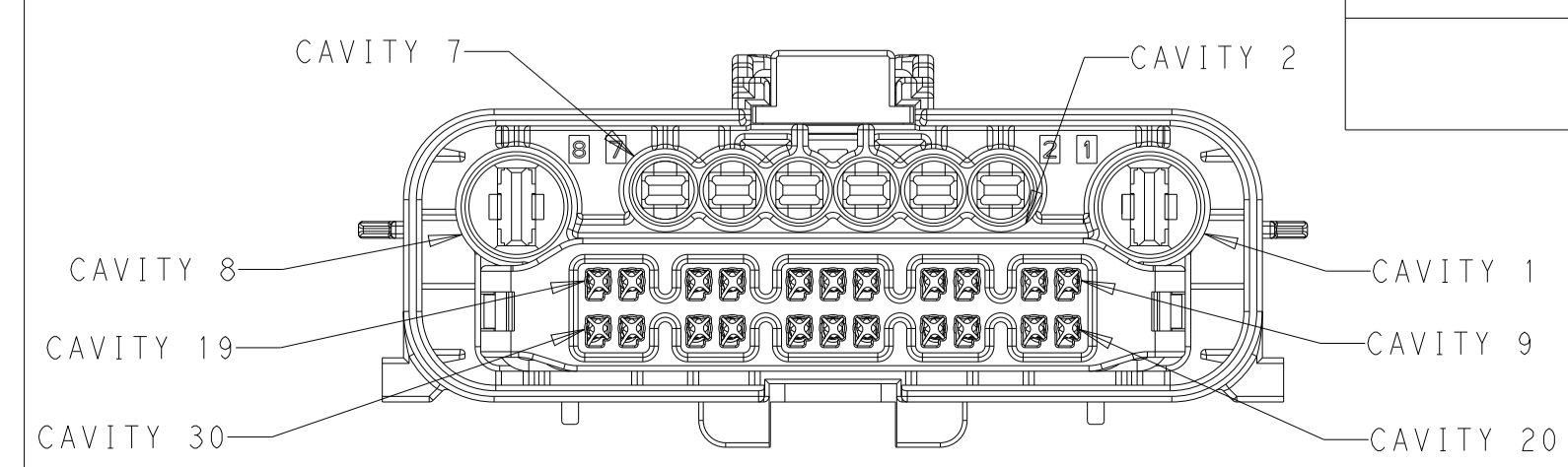
TOOLING STATUS

TERMINAL HOLE POSITION

CAVITIES WITH A NUMERIC SYMBOL INDICATES CLOSED TERMINAL LOCATION

BLANK CAVITIES INDICATES OPEN TERMINAL HOLE LOCATIONS

PIN OUT CHART



THIS DRAWING IS A CONTROLLED DOCUMENT.

DIMENSIONS: mm

TOLERANCES UNLESS OTHERWISE SPECIFIED:

0 PLC	±
1 PLC	±0.5
2 PLC	±0.3
3 PLC	±
4 PLC	±
ANGLES	±3°
FINISH	

MATERIAL

APPROVED: R. HETRICK 18APR2016

NAME: 30P SEALED HYBRID CAP ASSEMBLY

SIZE: A1

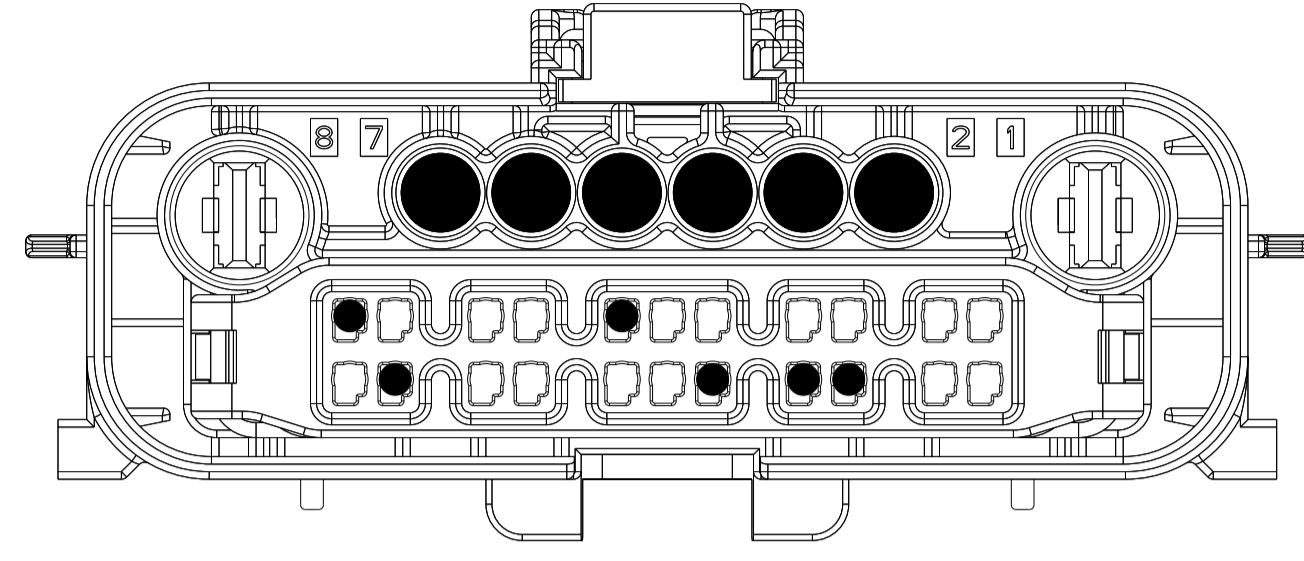
SCALE: 3:2

SHEET: 2 OF 6

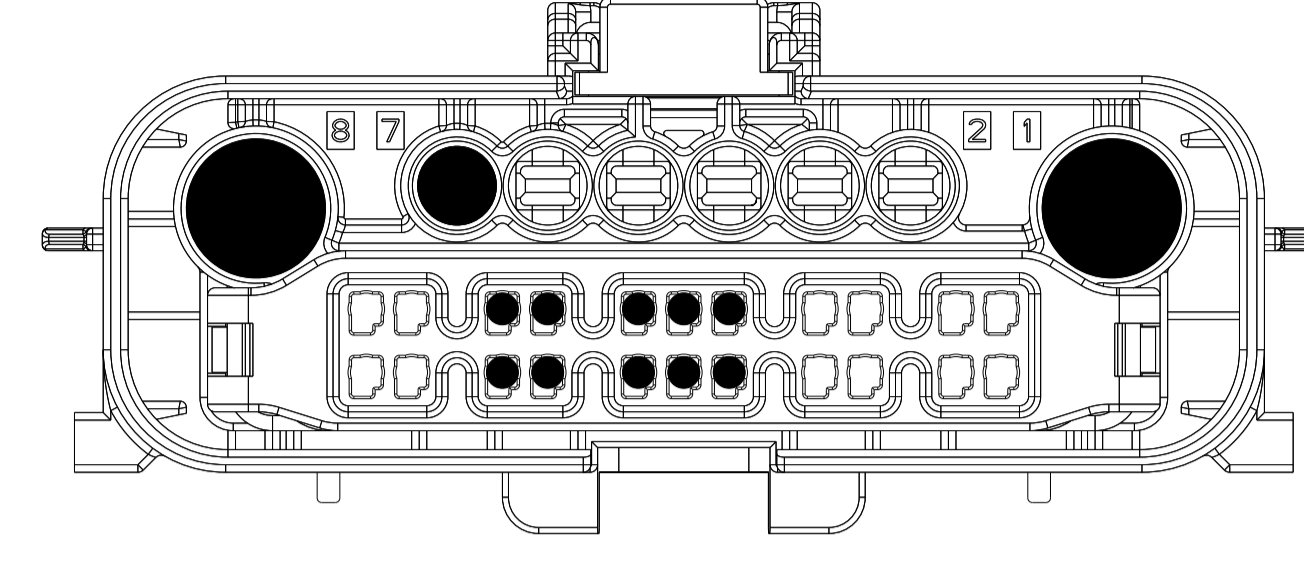
REV: C18

TE Connectivity

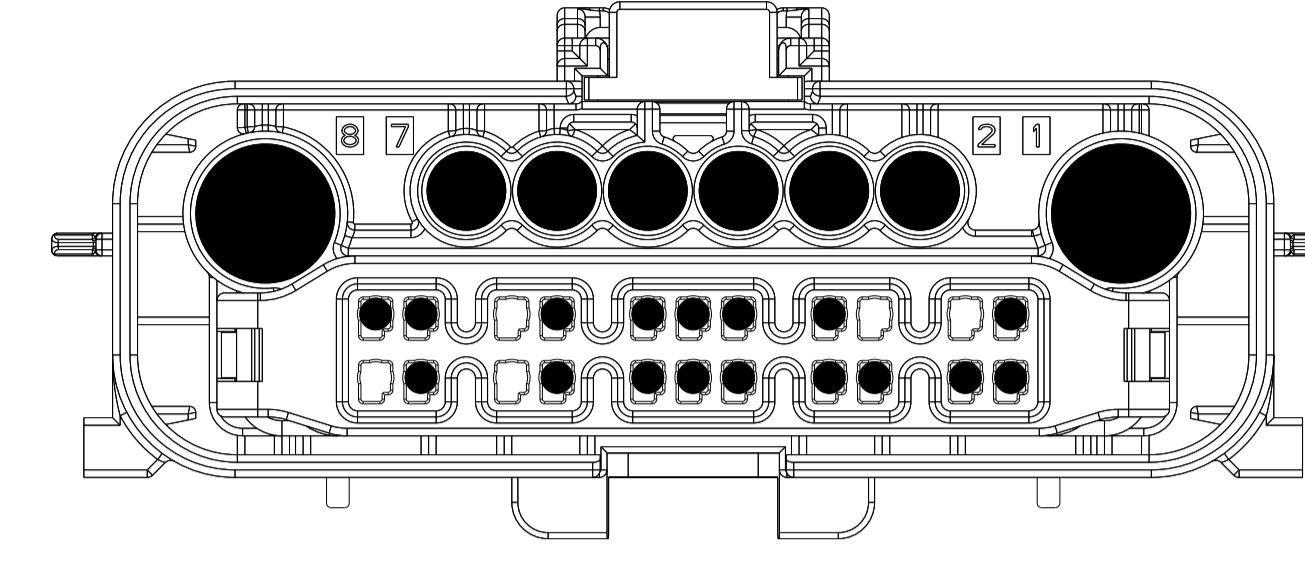
REVISIONS					
REV	DATE	DESCRIPTION	DATE	OWN	APVD
-	-	SEE SHEET 1	-	-	-
-	-	-	-	-	-
-	-	-	-	-	-



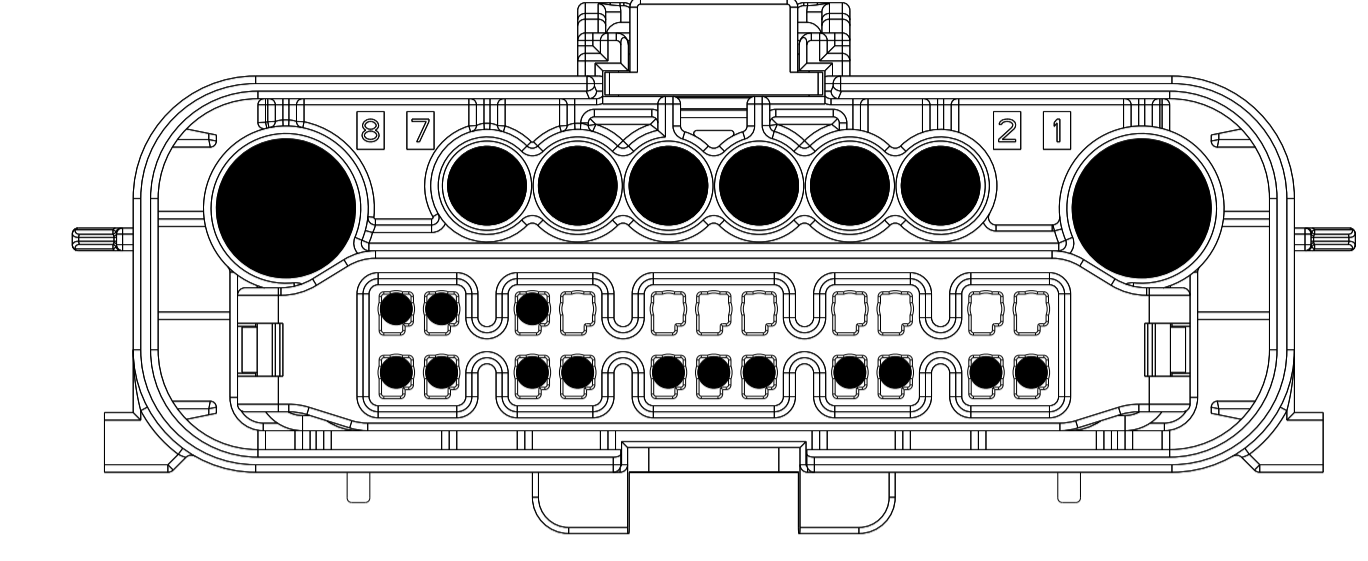
1-2301461-7
KEY A - BLACK



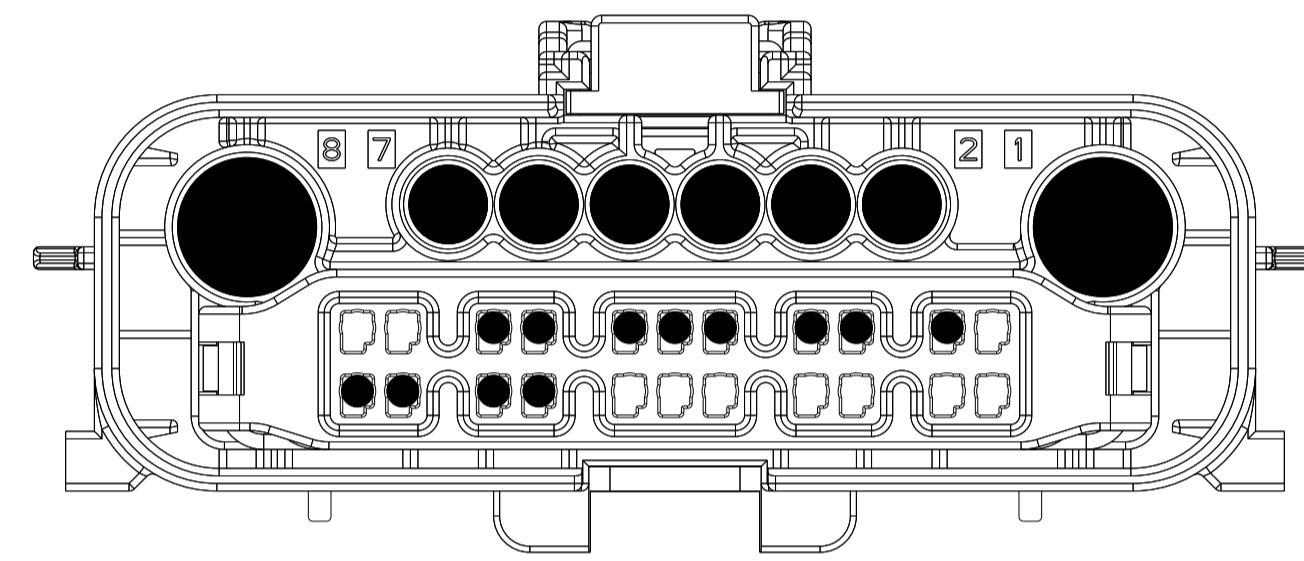
1-2301461-8
KEY A - BLACK



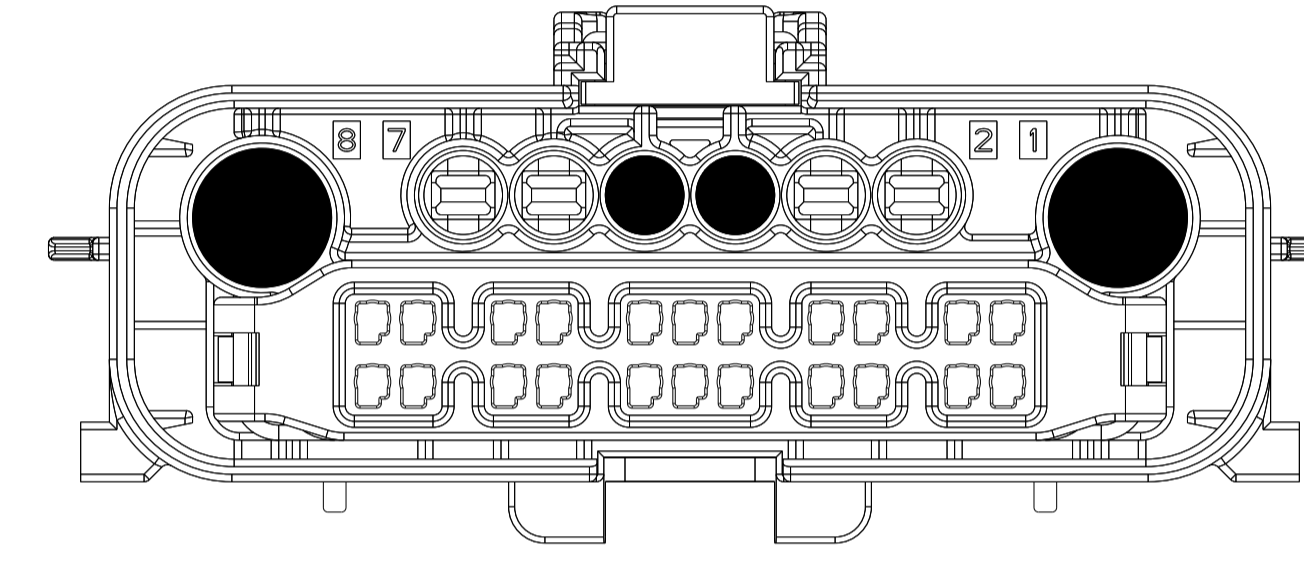
1-2301461-9
KEY A - BLACK



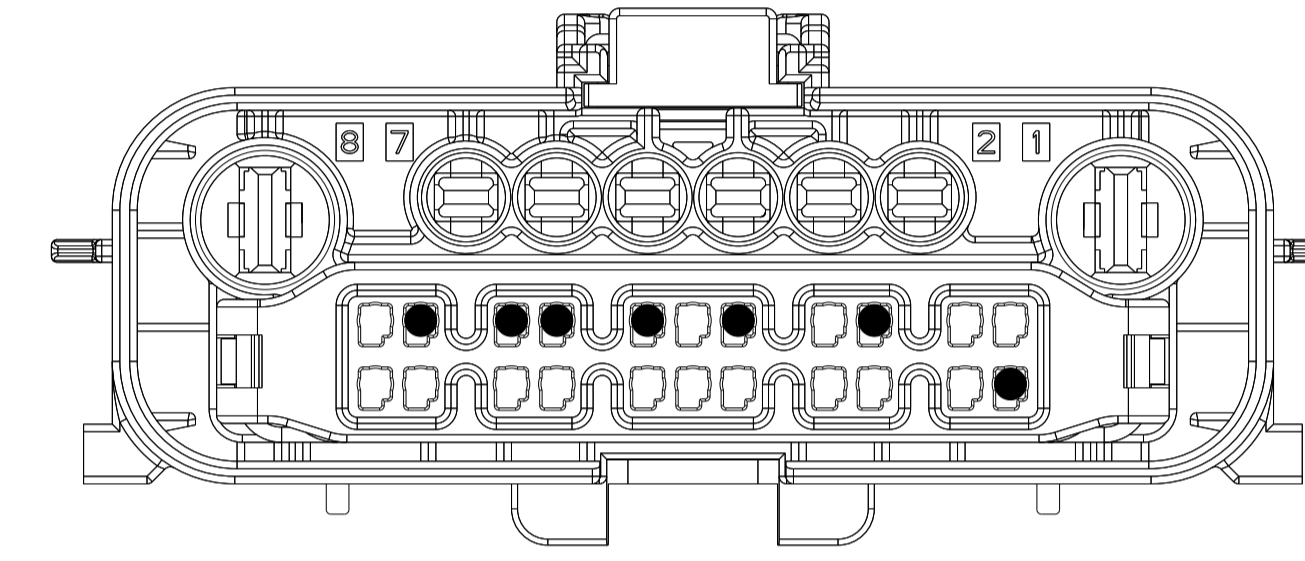
2-2301461-0
KEY A - BLACK



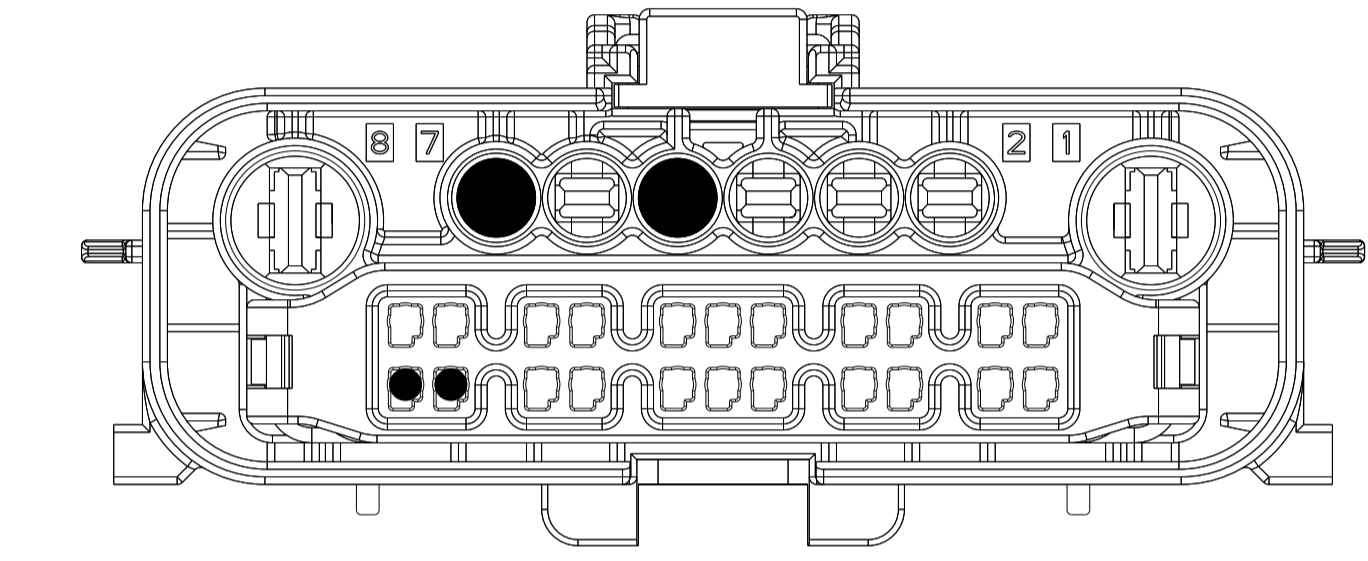
2-2301461-1
KEY A - BLACK



2-2301461-2
KEY A - BLACK



2-2301461-3
KEY A - BLACK

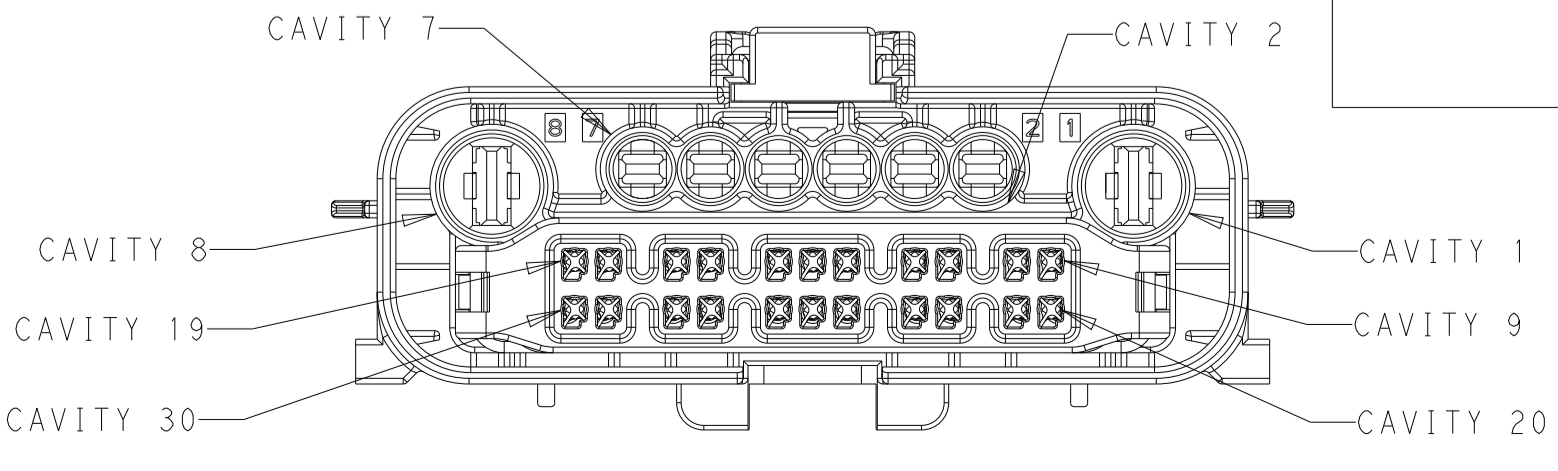


2-2301461-4
KEY A - BLACK

CIRCUITS WITH SHADED CIRCLES ARE BLOCKED

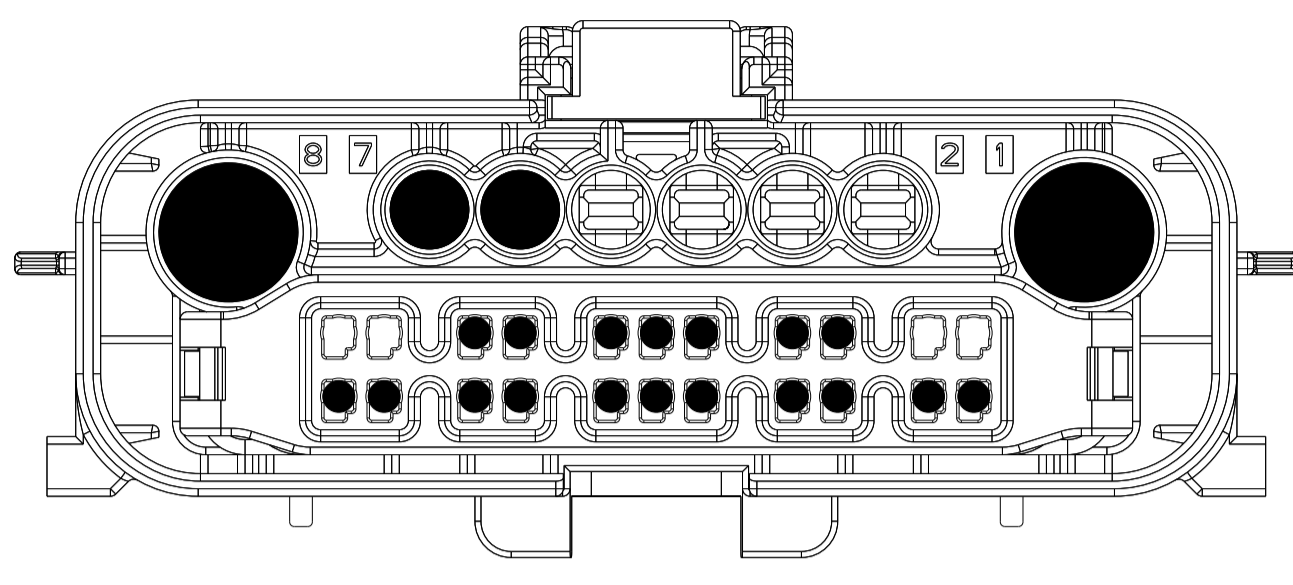
TOOLED	30	29																			7	5								BLACK	A	2-2301461-4	
TOOLED									20	18	17	16	15		13	11															BLACK	A	2-2301461-3
TOOLED																	8			5	4						1		BLACK	A	2-2301461-2		
TOOLED	30	29	28	27								17	16	15	14	13	12	11	10		8	7	6	5	4	3	2	1	BLACK	A	2-2301461-1		
TOOLED	30	29	28	27	26	25	24	23	22	21	20	19	18	17							8	7	6	5	4	3	2	1	BLACK	A	2-2301461-0		
TOOLED		29		27	26	25	24	23	22	21	20	19	18		16	15	14	13	12		9	8	7	6	5	4	3	2	1	BLACK	A	1-2301461-9	
TOOLED			28	27	26	25	24						17	16	15	14	13				8	7						1	BLACK	A	1-2301461-8		
TOOLED		29				24	23	22		19					15							7	6	5	4	3	2		BLACK	A	1-2301461-7		
TOOLING STATUS	30	29	28	27	26	25	24	23	22	21	20	19	18	17	16	15	14	13	12	11	10	9	8	7	6	5	4	3	2	1			
<p style="text-align: center;">TERMINAL HOLE POSITION CAVITIES WITH A NUMERIC SYMBOL INDICATES CLOSED TERMINAL LOCATION BLANK CAVITIES INDICATES OPEN TERMINAL HOLE LOCATIONS</p>																																	
																													COLOR	KEY	ASSEMBLY PART #		

PIN OUT CHART

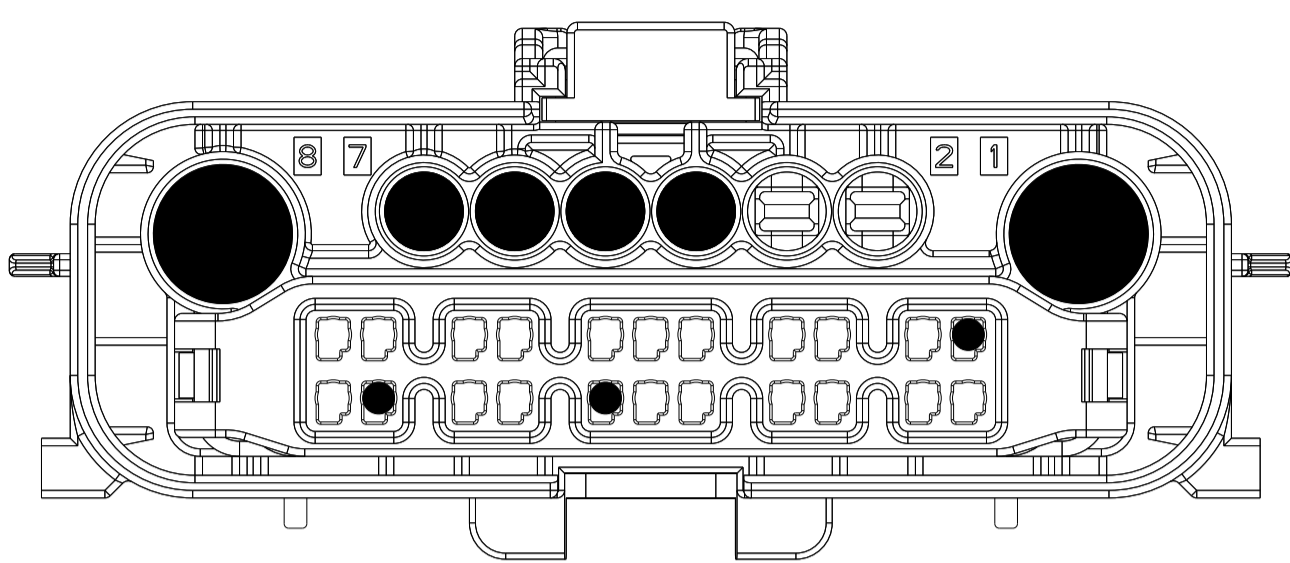


THIS DRAWING IS A CONTROLLED DOCUMENT.			OWN: R. HETRICK 18APR2016	TE Connectivity NAME: 30P SEALED HYBRID CAP ASSEMBLY
DIMENSIONS: mm		TOLERANCES UNLESS OTHERWISE SPECIFIED:	CHEK: R. HETRICK 18APR2016	
0 PLC ± . 1 PLC ±0.5 2 PLC ±0.3 3 PLC ±. 4 PLC ±. ANGLES ±3°			APVD: R. HETRICK 18APR2016	
MATERIAL:	FINISH:	WEIGHT:	SIZE: A1	SCALE: 3:2
CUSTOMER DRAWING			DRAWING NO: C=2301461	RESTRICTED TO: 4 of 6 SHEET

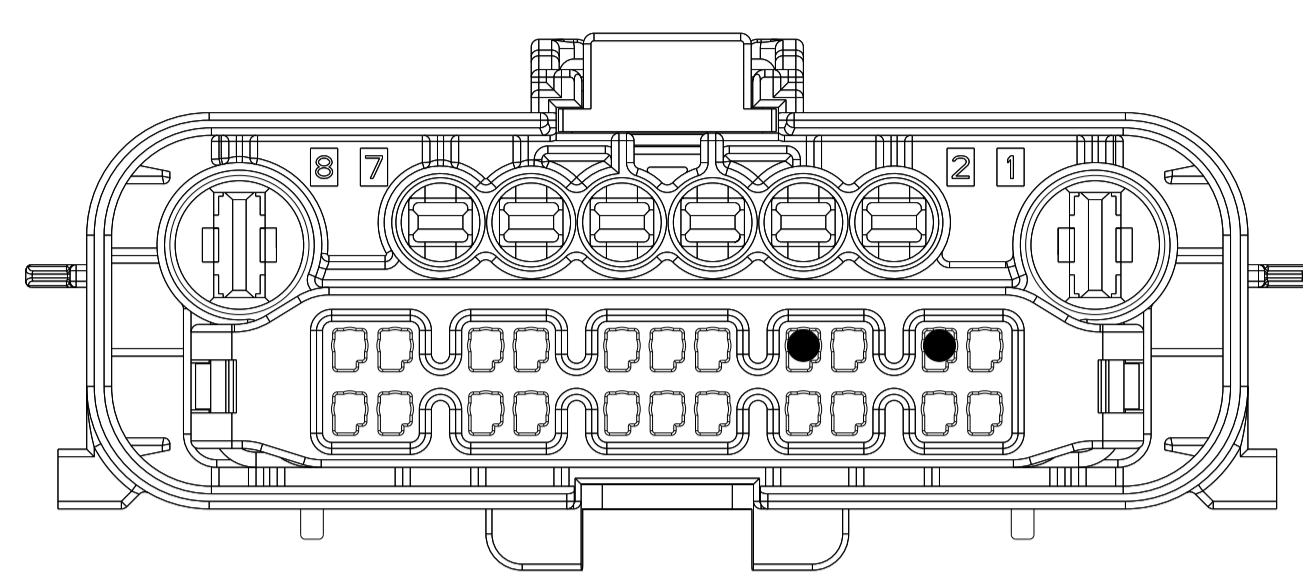
REVISIONS				
P	LTR	DESCRIPTION	DATE	APPV
-	-	SEE SHEET 1	-	-
-	-	-	-	-
-	-	-	-	-
-	-	-	-	-



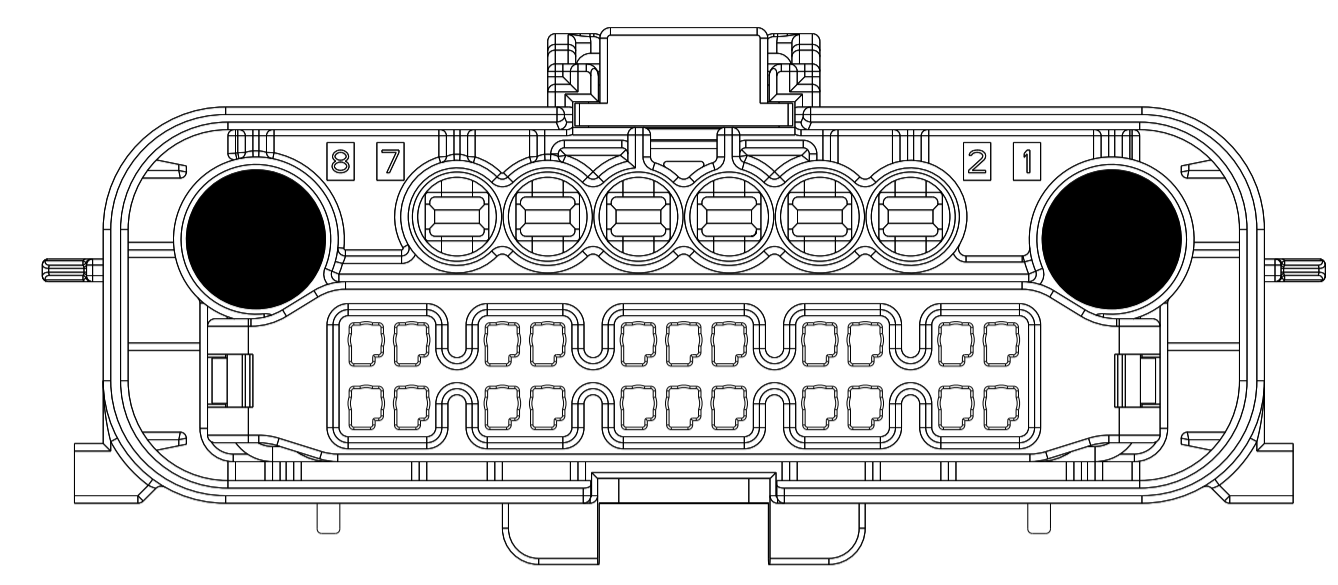
2-2301461-5
KEY A - BLACK



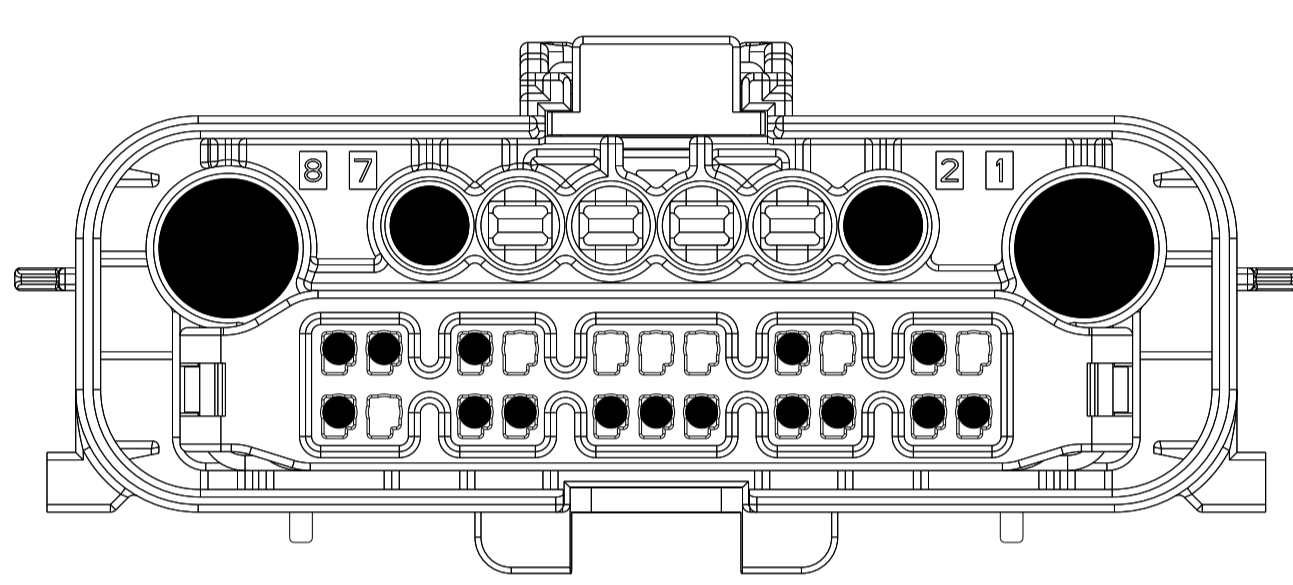
2-2301461-6
KEY A - BLACK



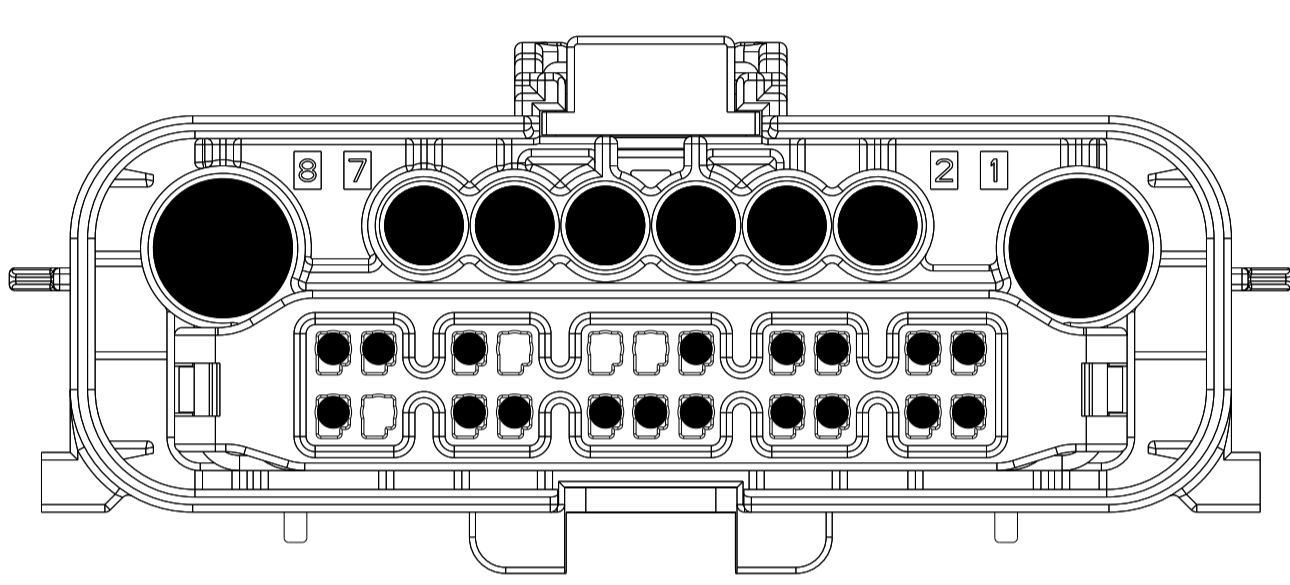
2-2301461-7
KEY A - BLACK



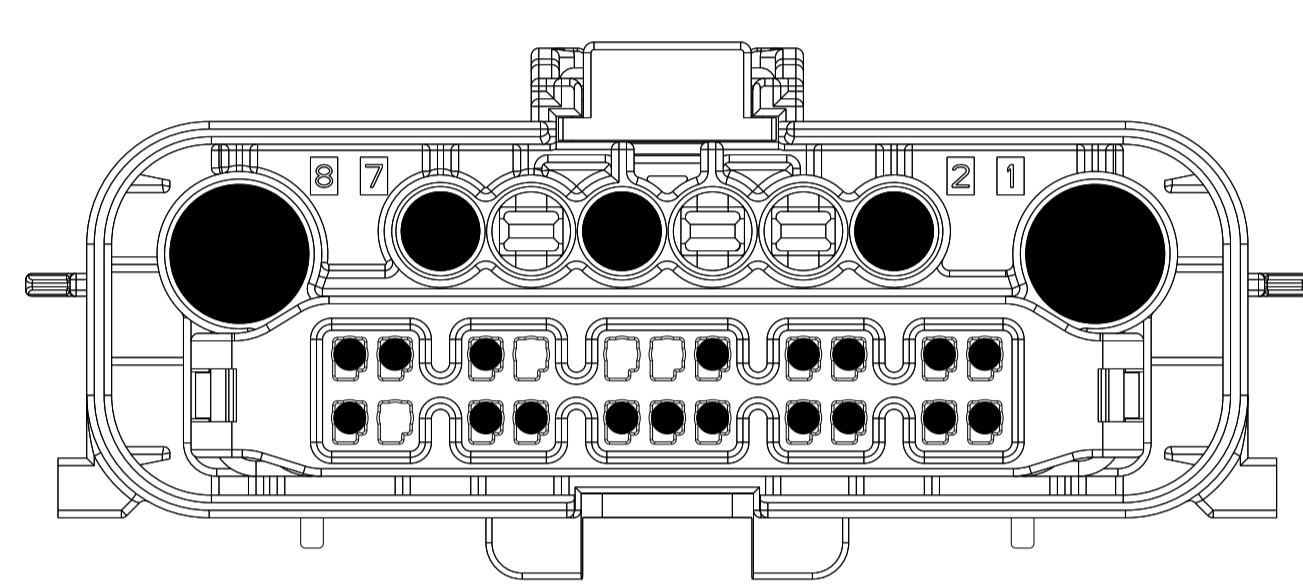
2-2301461-8
KEY A - BLACK



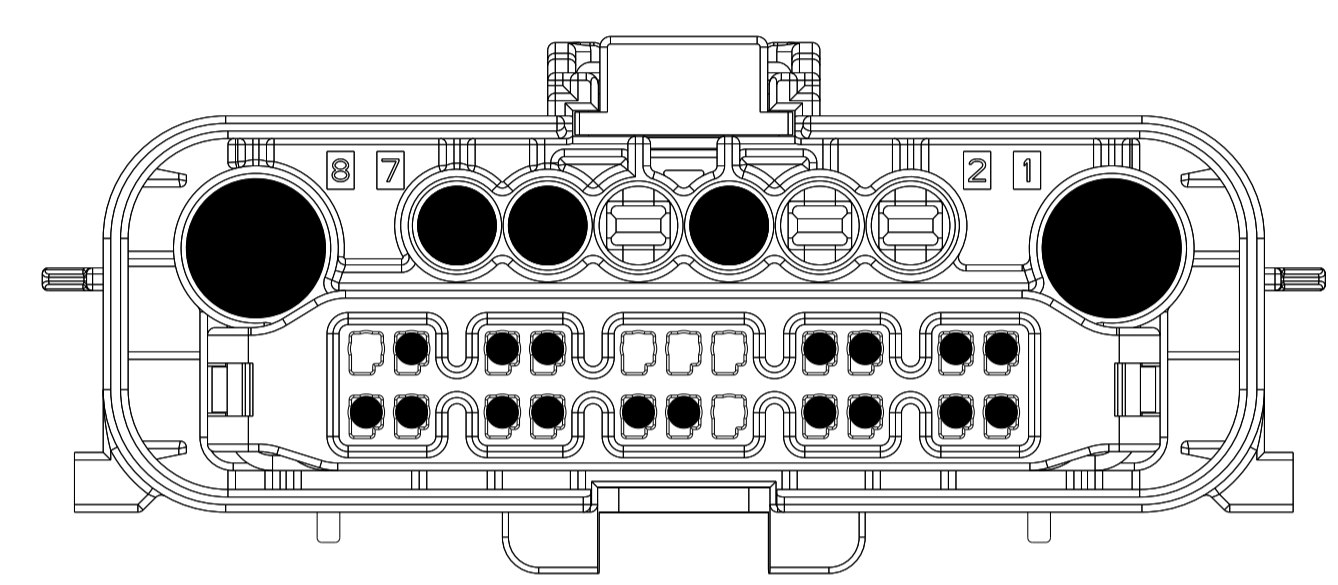
2-2301461-9
KEY A - BLACK



3-2301461-0
KEY A - BLACK



3-2301461-1
KEY A - BLACK

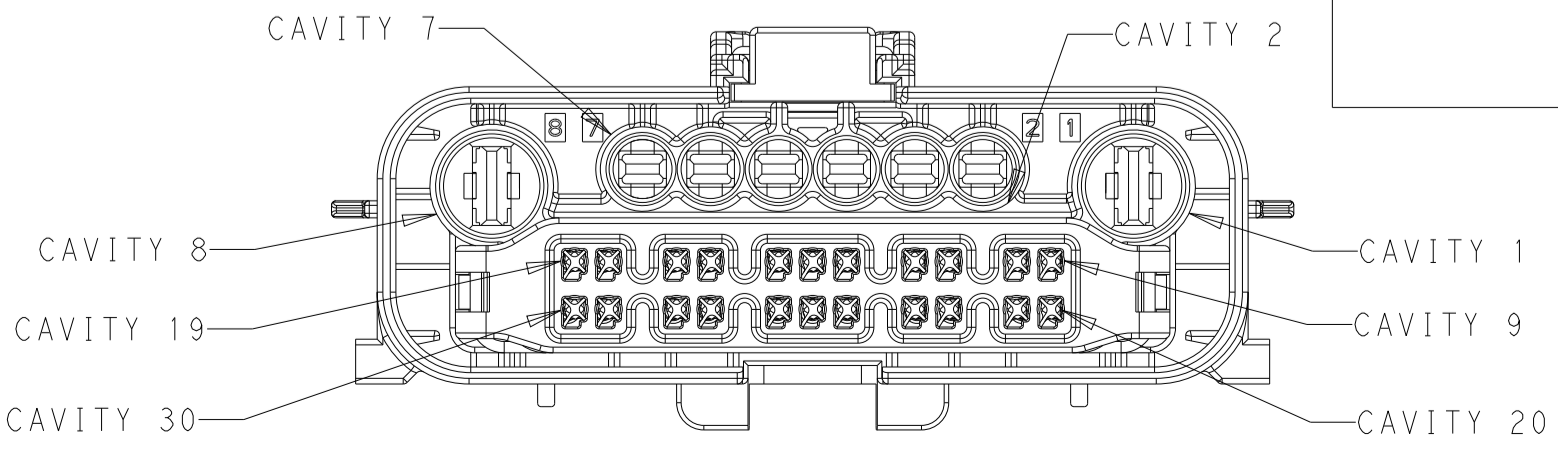


3-2301461-2
KEY A - BLACK

CIRCUITS WITH SHADED CIRCLES ARE BLOCKED

TOOLED	30	29	28	27	26	25	24	23	22	21	20	19	18	17	16	15	14	13	12	11	10	9	8	7	6	5	4	3	2	1	COLOR	KEY	ASSEMBLY PART #	
TOOLED	30																		12	11	10	9	8	7	6	4			1	BLACK	A	3-2301461-2		
TOOLED	30																		13	12	11	10	9	8	7	5			2	1	BLACK	A	3-2301461-1	
TOOLED	30																		13	12	11	10	9	8	7	6	5	4	3	2	1	BLACK	A	3-2301461-0
TOOLED	30																		12	10			8	7					2	1	BLACK	A	2-2301461-9	
TOOLED																							8						1	BLACK	A	2-2301461-8		
TOOLED																			12	10											BLACK	A	2-2301461-7	
TOOLED		29			26																	9	8	7	6	5	4		1	BLACK	A	2-2301461-6		
TOOLED	30	29	28	27	26	25	24	23	22	21	20			17	16	15	14	13	12	11			8	7	6				1	BLACK	A	2-2301461-5		
TOOLING STATUS	30	29	28	27	26	25	24	23	22	21	20	19	18	17	16	15	14	13	12	11	10	9	8	7	6	5	4	3	2	1				
TERMINAL HOLE POSITION CAVITIES WITH A NUMERIC SYMBOL INDICATES CLOSED TERMINAL LOCATION BLANK CAVITIES INDICATES OPEN TERMINAL HOLE LOCATIONS																	COLOR	KEY	ASSEMBLY PART #															

PIN OUT CHART



THIS DRAWING IS A CONTROLLED DOCUMENT. DWN: R. HETRICK 18APR2016
 CHK: R. HETRICK 18APR2016
 APVD: R. HETRICK 18APR2016

TE Connectivity

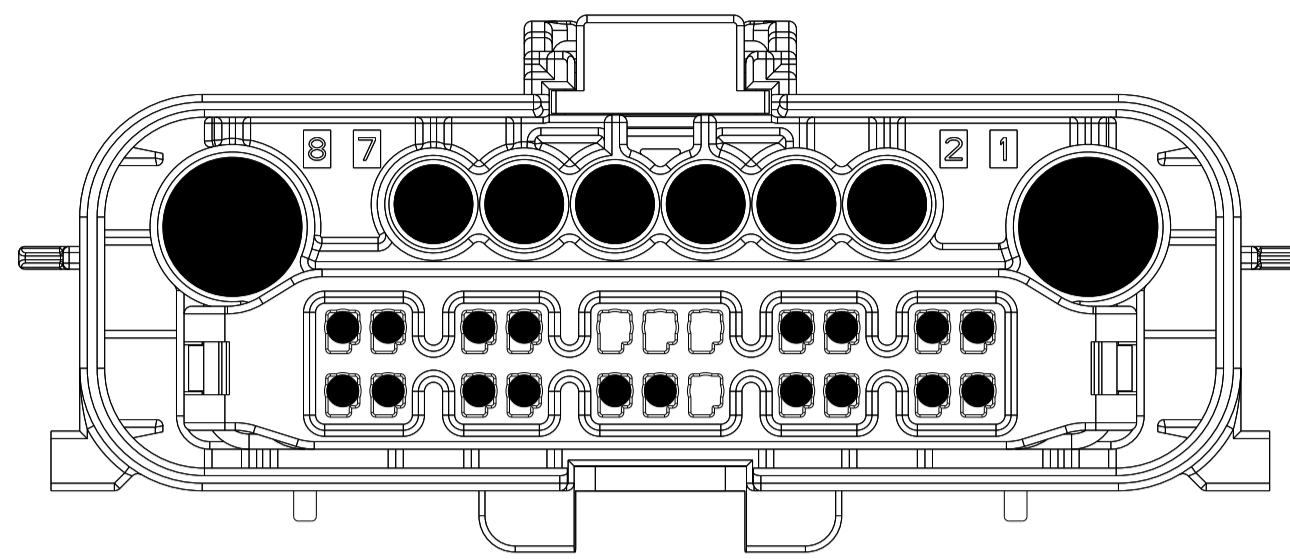
NAME: 30P SEALED HYBRID CAP ASSEMBLY

SIZE: A1 CAGE CODE: - DRAWING NO: C-2301461

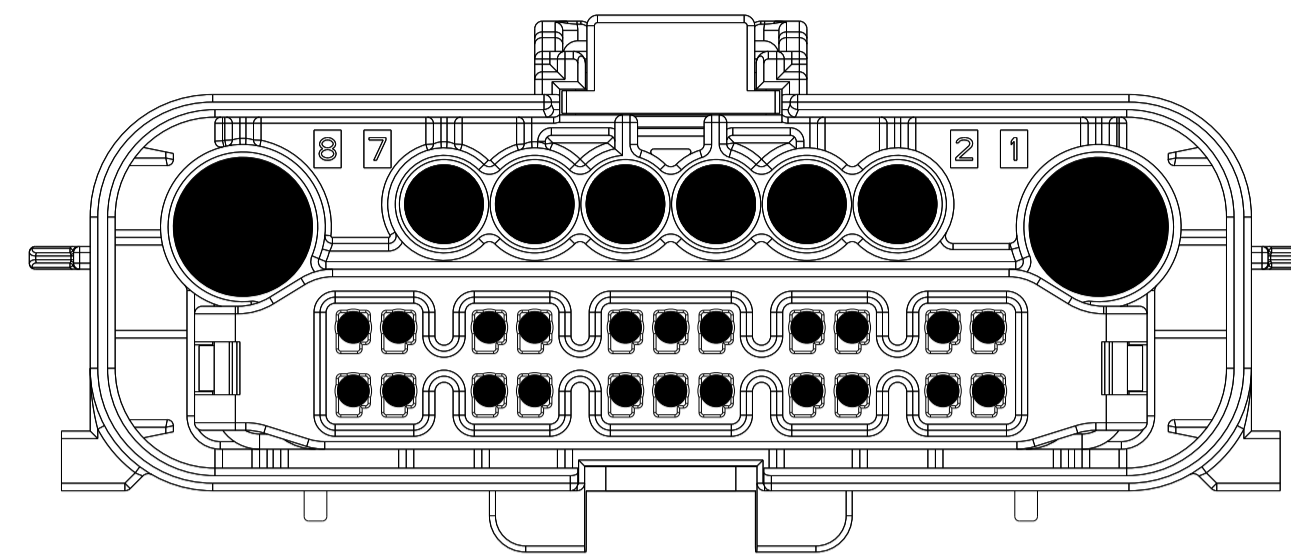
SCALE: 3:2 SHEET 5 OF 6

CUSTOMER DRAWING

REVISIONS				
P	LTN	DESCRIPTION	DATE	APVD
-	-	SEE SHEET 1	-	-
-	-	-	-	-
-	-	-	-	-
-	-	-	-	-



3-2301461-3
KEY A - BLACK

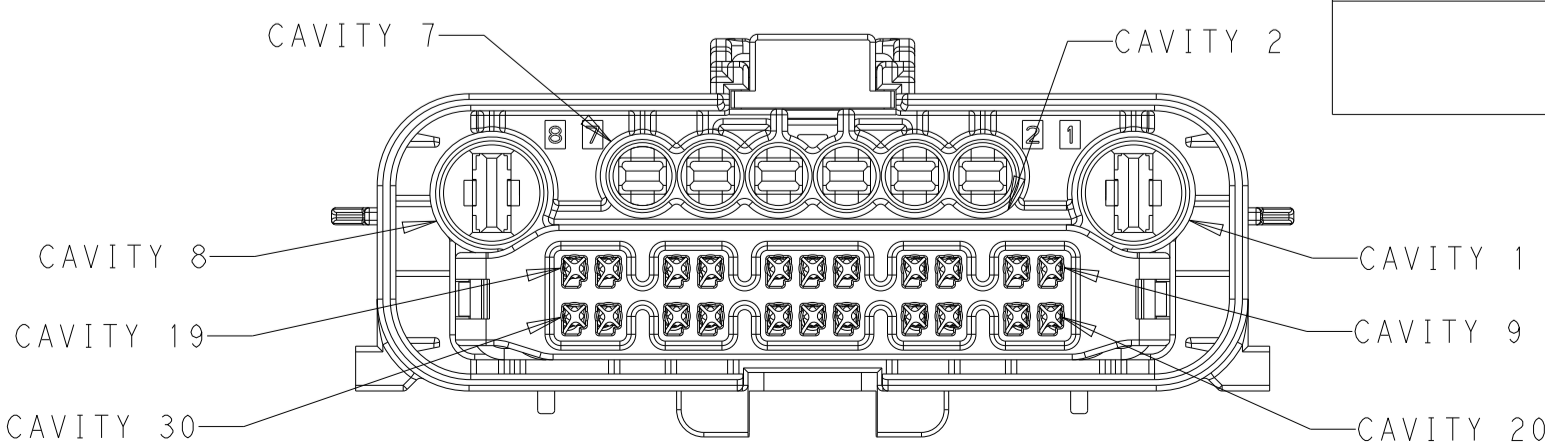


9-2301461-9
KEY A - BLACK

CIRCUITS WITH SHADED CIRCLES ARE BLOCKED

TOOLED	30	29	28	27	26	25	24	23	22	21	20	19	18	17	16	15	14	13	12	11	10	9	8	7	6	5	4	3	2	1	BLACK	A	9-2301461-9
TOOLED	30	29	28	27	26	25		23	22	21	20	19	18	17	16				12	11	10	9	8	7	6	5	4	3	2	1	BLACK	A	3-2301461-3
TOOLING STATUS	30	29	28	27	26	25	24	23	22	21	20	19	18	17	16	15	14	13	12	11	10	9	8	7	6	5	4	3	2	1	COLOR	KEY	ASSEMBLY PART #
	TERMINAL HOLE POSITION CAVITIES WITH A NUMERIC SYMBOL INDICATES CLOSED TERMINAL LOCATION BLANK CAVITIES INDICATES OPEN TERMINAL HOLE LOCATIONS																																

PIN OUT CHART



THIS DRAWING IS A CONTROLLED DOCUMENT.

DIMENSIONS: mm

TOLERANCES UNLESS OTHERWISE SPECIFIED:

0 PLC	±
1 PLC	±0.5
2 PLC	±0.3
3 PLC	±
4 PLC	±
ANGLES	±3°
FINISH	

MATERIAL

APPROVED: R. HETRICK 18APR2016

CHECKED: R. HETRICK 18APR2016

DESIGNED: R. HETRICK 18APR2016

PRODUCT SPEC

APPLICATION SPEC

WEIGHT

CUSTOMER DRAWING

NAME: 30P SEALED HYBRID CAP ASSEMBLY

SIZE: A1

CAGE CODE: -

DRAWING NO: C=2301461

RESTRICTED TO: -

SCALE: 3:2

SHEET: 6 OF 6

REV: 18

TE Connectivity