

THIS DRAWING IS UNPUBLISHED.
VERTRAULICHE UNVERÖFFENTLICHTE ZEICHNUNG

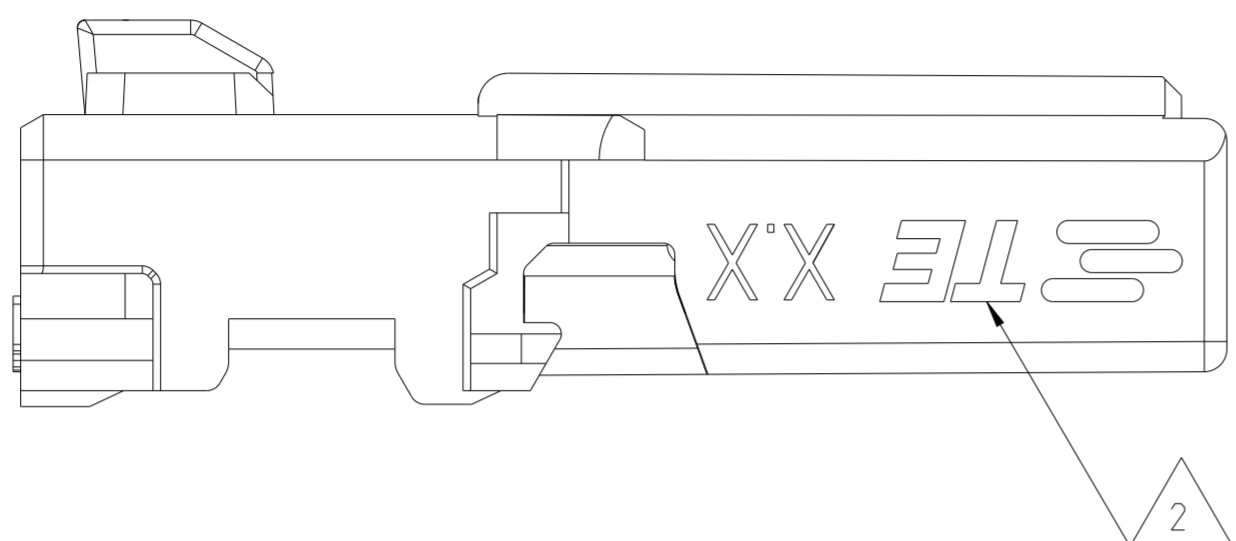
RELEASED FOR PUBLICATION
FREI FUER VERÖFFENTLICHUNG

MATED WITH:
PASSEND ZU:

PROJEKT NR.:

REVISIONS
ÄNDERUNGEN

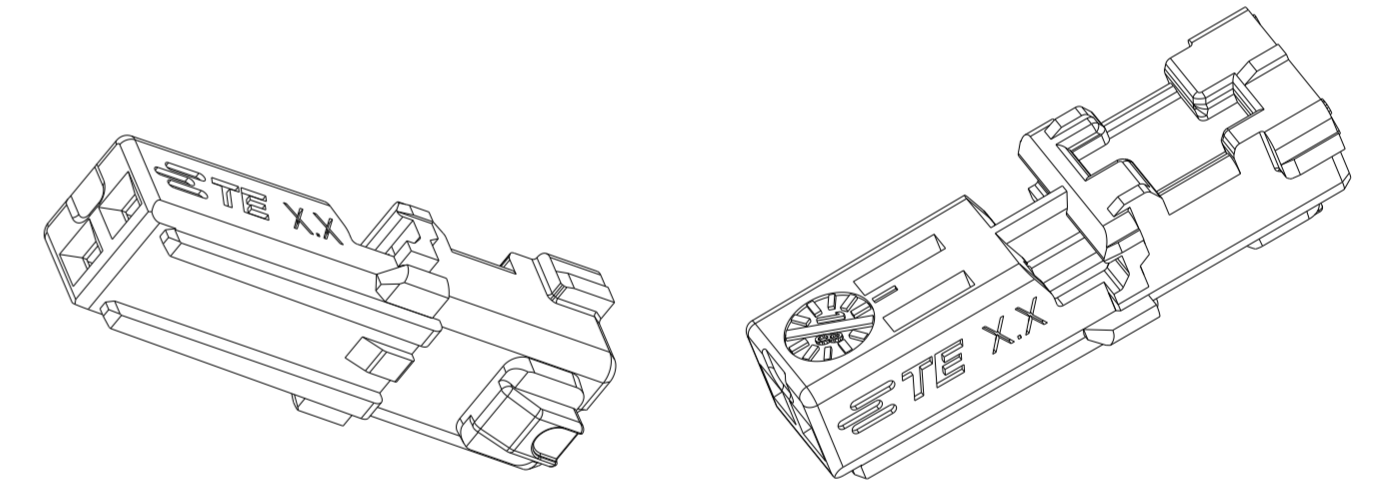
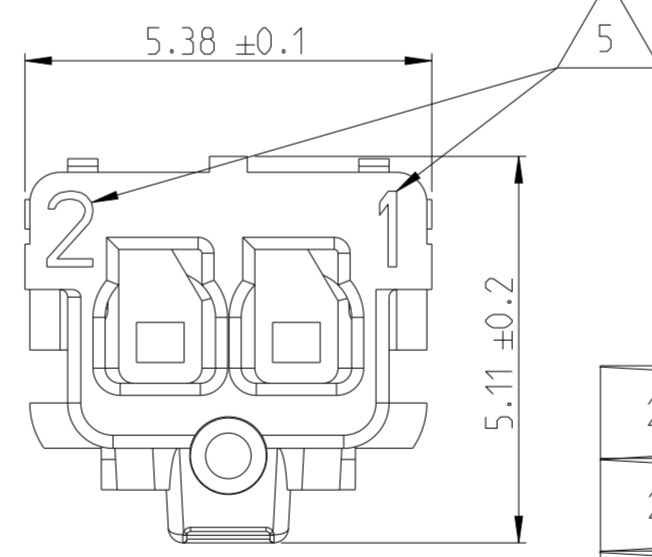
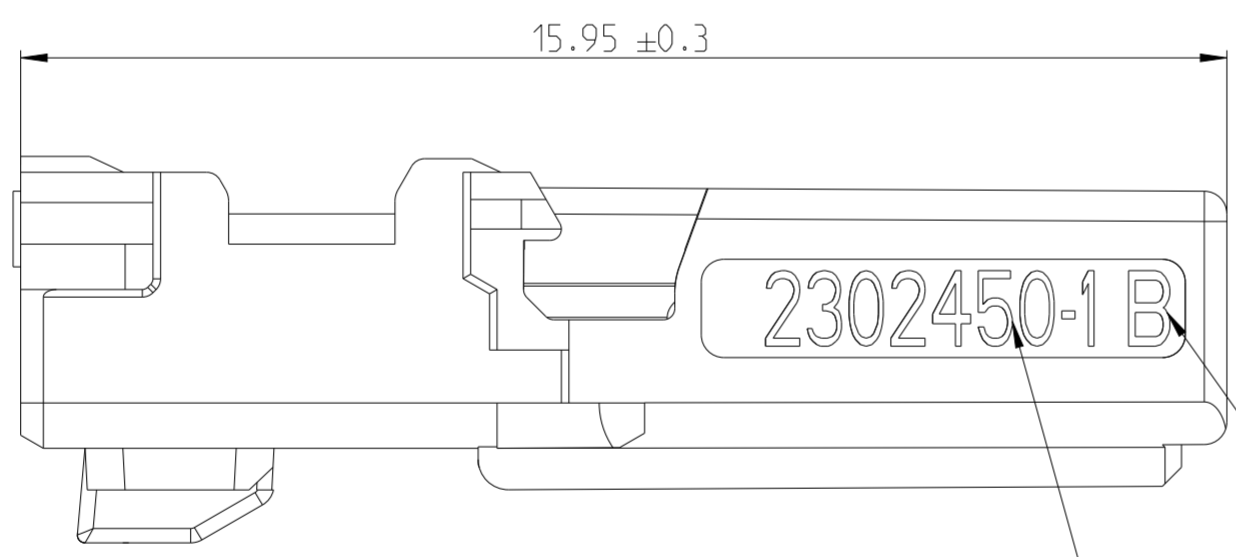
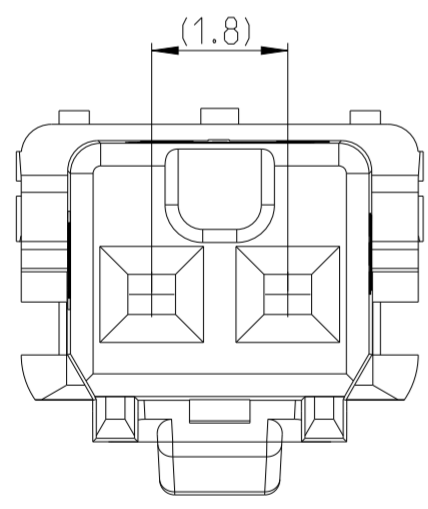
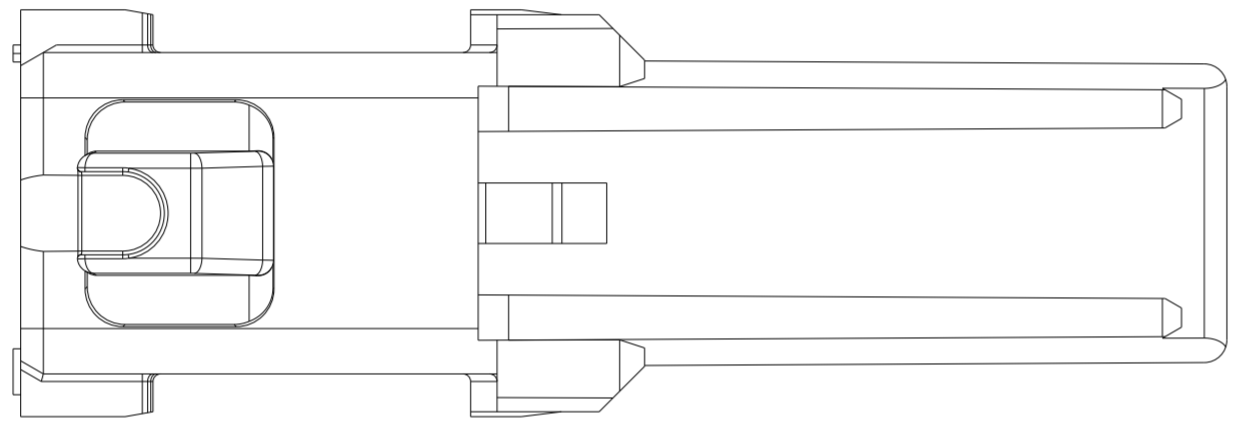
P	LTR	DESCRIPTION BESCHREIBUNG	DATE	DWN	APVD
C		E-18-003849	09APR2018	DK	AK
C1		E-18-008153 Added Variant 1-2302450-1 (Page 2)	28MAY2018	RW	AK
C2		E-18-015417 minor shape update	27SEP2018	RW	AK
C3		PCN-23-188464 obsolete B-Samples	03JAN2024	RW	AK



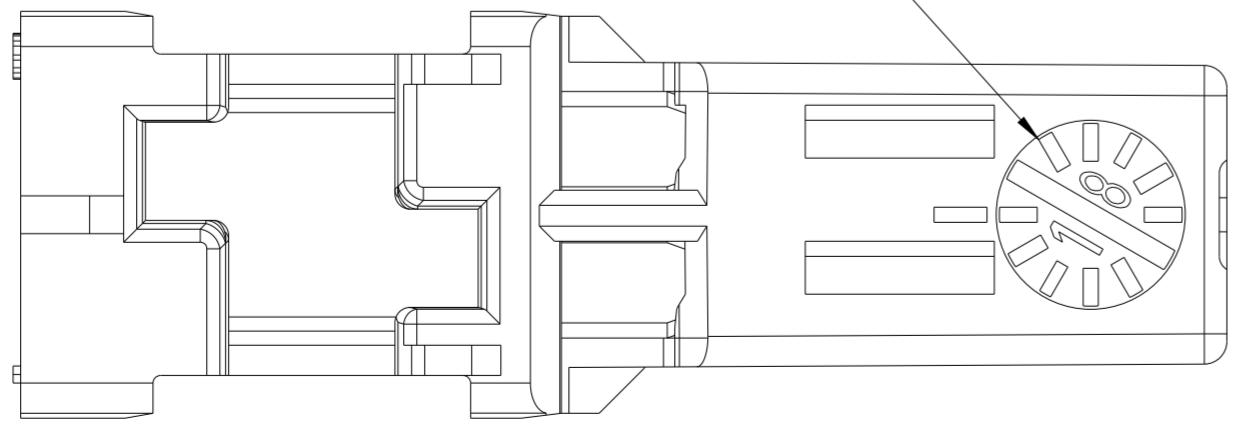
Kammer CAVITY	ALL CAVITIES
Buchsenkontakt SOCKET CONTACT	Nano MQS
max. DGB [mm²] MAX. DGB [mm²]	0.35mm² FLR
max. Isolation Ø MAX. ISOLATION Ø	1.3mm
Zeichnung TE DRAWING TE	1703930

Notizen / NOTES:

- 1 2302450-1 wie dargestellt
2302450-1 AS SHOWN
- 2 TE-Logo
TE-LOGO
- 3 TE Teil Nummer
TE PART NUMBER
- 4 Revisionsstand
PART REVISION
- 5 Kontaktkammernummer
CONTACT CAVITY NUMBER
- 6 Produktionsdatum
PRODUCTION DATE
- 7 Verpackung: Schuetztgut im Beutel im Karton
PACKAGING: LOOSE PIECES IN BAG IN BOX
- 8 zugehoeriger Kontakt siehe Tabelle:
SUITABLE FOR CONTACT SEE TABLE:



2302450-6	B	MATenet 2Pos. NanoMQS, FEMALE INSERT MODUL, violet	0.2	HeatherViolet 4003	
2302450-5	B	MATenet 2Pos. NanoMQS, FEMALE INSERT MODUL, brown	0.2	FawnBrown 8007	
2302450-4	B	MATenet 2Pos. NanoMQS, FEMALE INSERT MODUL, blue	0.2	SignalBlue 5005	
2302450-3	B	MATenet 2Pos. NanoMQS, FEMALE INSERT MODUL, yellow	0.2	CurryYellow 1027	
2302450-2	B	MATenet 2Pos. NanoMQS, FEMALE INSERT MODUL, green	0.2	EmeraldGreen 6001	
2302450-1	B	MATenet 2Pos. NanoMQS, FEMALE INSERT MODUL, black	0.2	Black 9005	
PART No.	Rev.	DESCRIPTION	MATERIAL	WEIGHT [g]	COLOUR similar RAL



THIS DRAWING IS A CONTROLLED DOCUMENT. DIMENSIONING AND TOLERANCING PER GPS (ISO STANDARDS)

DWN: J. KIESSWEITER 16AUG2016
CHK: R. WUERKER 16AUG2016
APVD: A. KETTLER 29AUG2016

TE Connectivity

MATenet, 2Pos., nanoMQS, FEMALE INSERT MODUL

SIZE: A2 CAGE CODE: 00779 DRAWING NO: C-2302450

SCALE: 5:1 SHEET: 1 OF 3 REV: C3

THIS DRAWING IS UNPUBLISHED
VERTRÄGLICHE UNVERÖFFENTLICHTE ZEICHNUNG
© COPYRIGHT 2024 BY TE Connectivity Germany GmbH

RELEASED FOR PUBLICATION
FREI FÜR VERÖFFENTLICHUNG
ALL RIGHTS RESERVED.
ALLE RECHTE VORBEHALTEN:

MATED WITH
PASSEND ZU:

PROJEKT NR.:

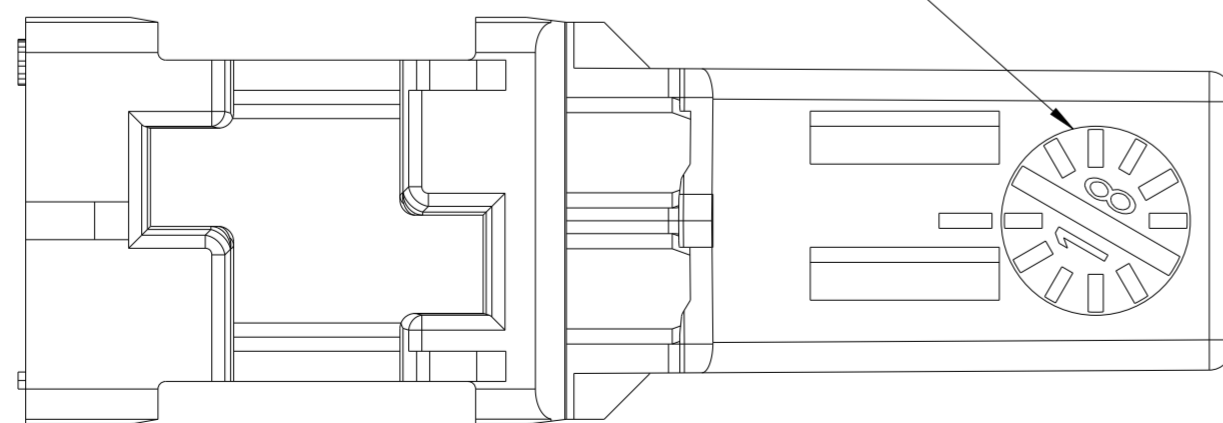
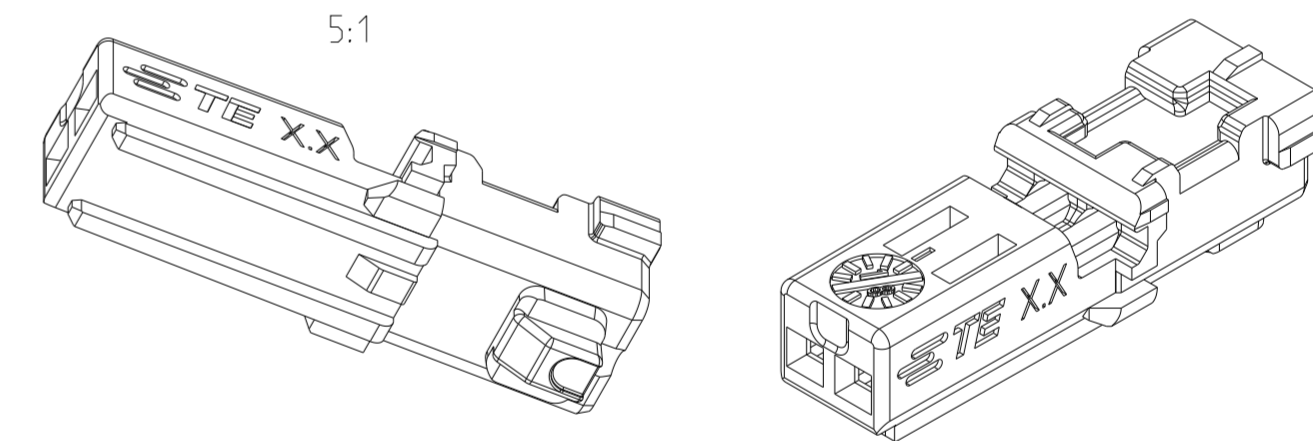
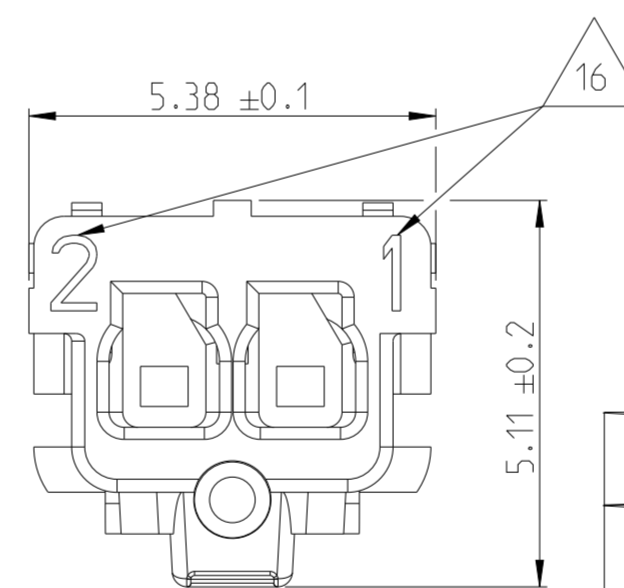
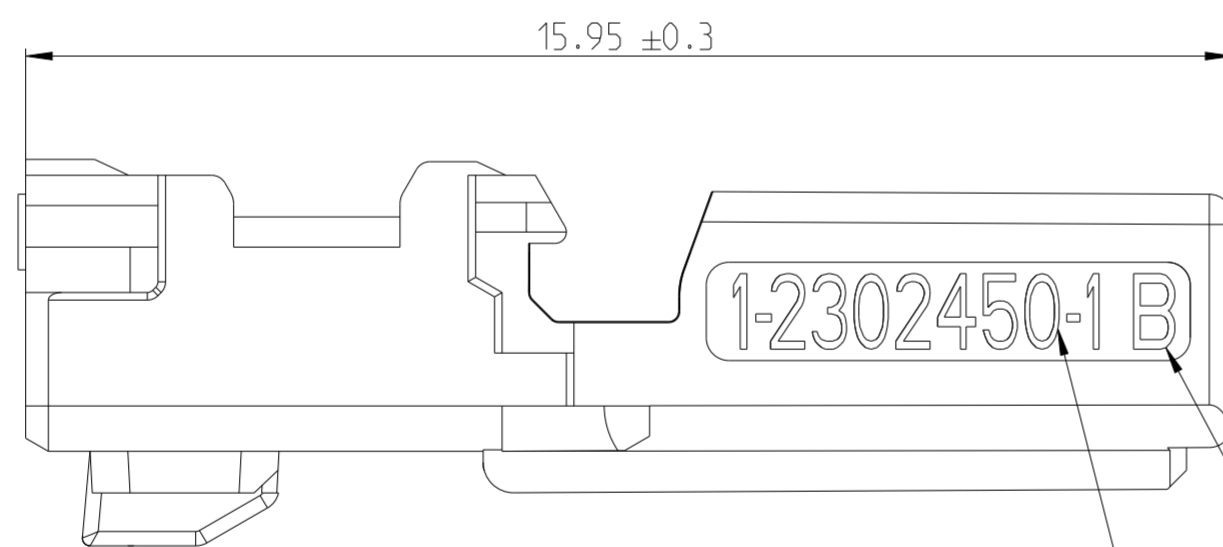
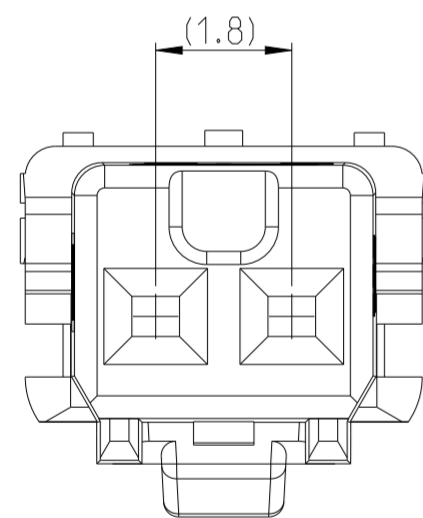
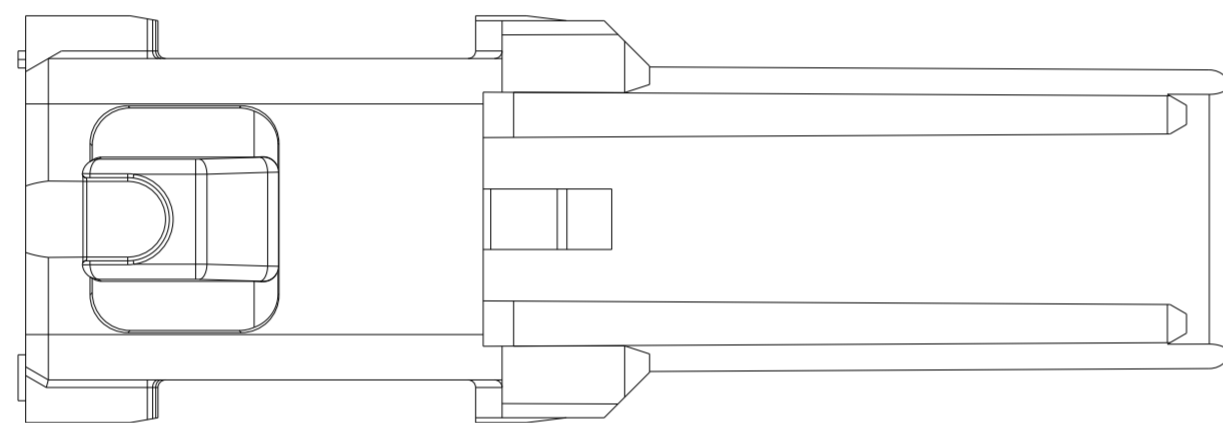
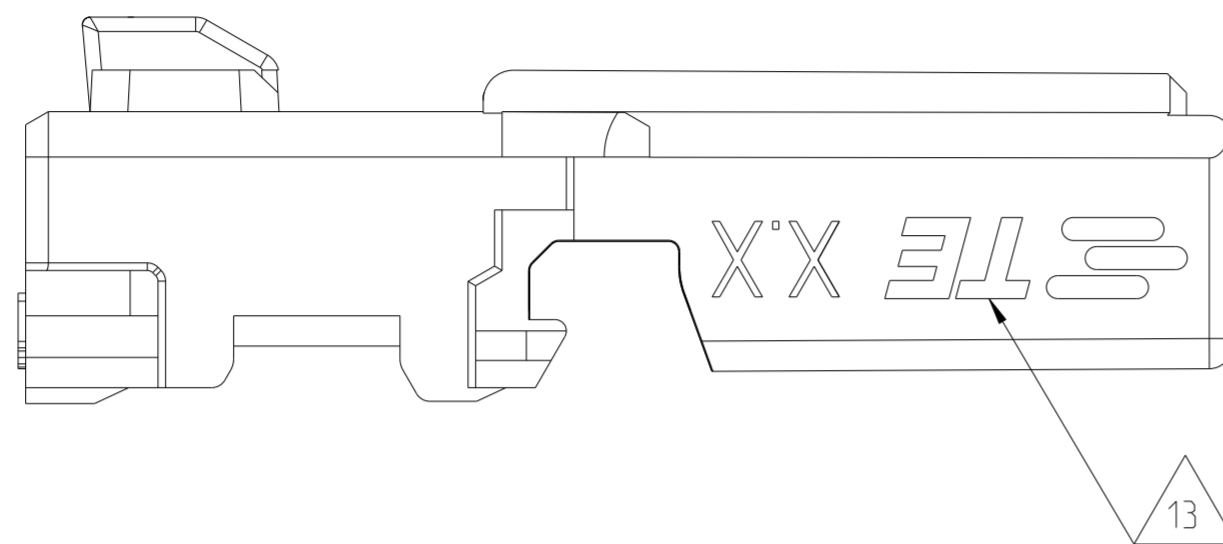
REVISIONS

P	LTR	DESCRIPTION BESCHREIBUNG	DATE	DWN	APVD
-	-	SEE SHEET 1	-	-	-

Notizen / NOTES:

- 11 1-2302450-1 wie dargestellt
1-2302450-1 AS SHOWN
- 12 Sondervariante, nicht fuer PoDL Anwendungen geeignet
SPECIAL VARIANT, NOT SUITABLE FOR PoDL APPLICATIONS
- 13 TE-Logo
TE-LOGO
- 14 TE Teil Nummer
TE PART NUMBER
- 15 Revisionsstand
PART REVISION
- 16 Kontaktkammernummer
CONTACT CAVITY NUMBER
- 17 Produktionsdatum
PRODUCTION DATE
- 18 Verpackung: Schuettgut im Beutel im Karton
PACKAGING: LOOSE PIECES IN BAG IN BOX
- 19 zugehoeriger Kontakt siehe Tabelle:
SUITABLE FOR CONTACT SEE TABLE:

Kammer CAVITY	ALL CAVITIES
Buchsenkontakt SOCKET CONTACT	Nano MQS
max. DGB [mm ²] MAX. DGB [mm ²]	0.35mm ² FLR
max. Isolation Ø MAX. ISOLATION Ø	1.3mm
Zeichnung TE DRAWING TE	1703930



1-2302450-6	B	MATeNet 2Pos. NanoMQS, FEMALE INSERT MODUL, violet	0.2	HeatherViolet 4003	
1-2302450-5	B	MATeNet 2Pos. NanoMQS, FEMALE INSERT MODUL, brown	0.2	FawnBrown 8007	
1-2302450-4	B	MATeNet 2Pos. NanoMQS, FEMALE INSERT MODUL, blue	0.2	SignalBlue 5005	
1-2302450-3	B	MATeNet 2Pos. NanoMQS, FEMALE INSERT MODUL, yellow	0.2	CurryYellow 1027	
1-2302450-2	B	MATeNet 2Pos. NanoMQS, FEMALE INSERT MODUL, green	0.2	EmeraldGreen 6001	
1-2302450-1	B	MATeNet 2Pos. NanoMQS, FEMALE INSERT MODUL, black	0.2	Black 9005	
PART No.	Rev.	DESCRIPTION	MATERIAL	WEIGHT [g]	COLOUR similar RAL

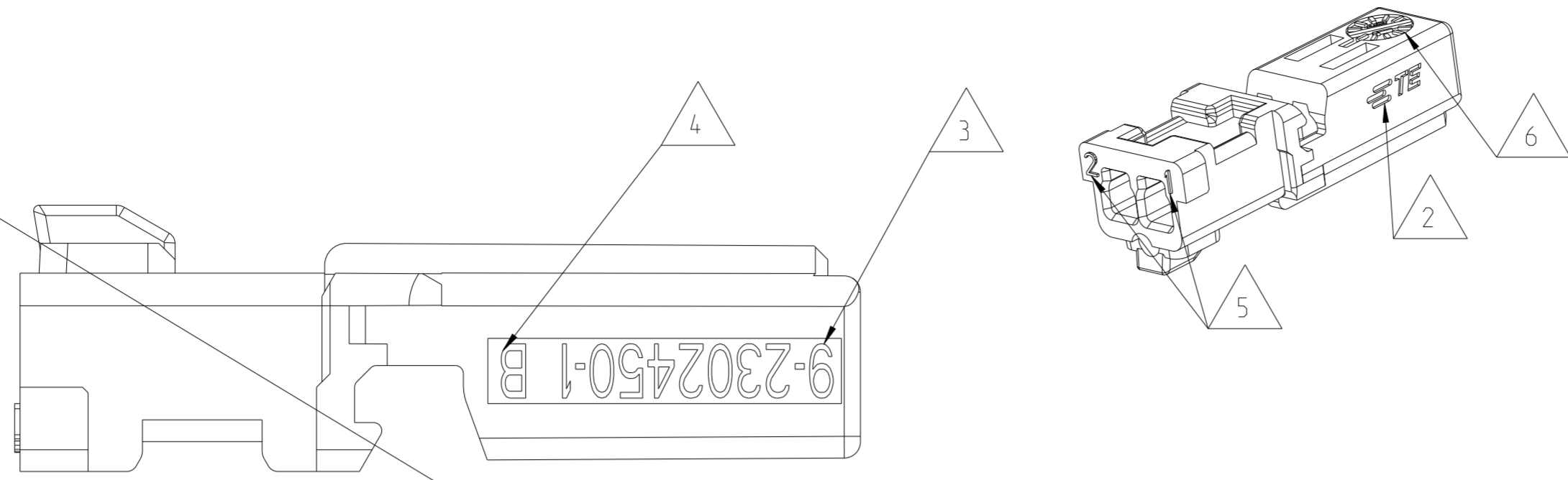
THIS DRAWING IS A CONTROLLED DOCUMENT. DIMENSIONING AND TOLERANCING PER GPS (ISO STANDARDS)		DWN J. KIESSWEITNER 16 AUG 2016	TE Connectivity		
DIMENSIONS: MASSEINHEITEN: (MM)		CHK R. WUERKER 16 AUG 2016			
TOLERANCES UNLESS OTHERWISE SPECIFIED: ALLGEMEINTOLERANZEN		APVD A. KEITLER 29 AUG 2016	NAME MATeNet, 2Pos., nanoMQS, FEMALE INSERT MODUL		
0 PLC ±0.2 1 PLC ±0.1 2 PLC ±0.1 3 PLC ± 4 PLC ±		PRODUCT SPEC 108-94568	SIZE A2	CAGE CODE 00779	DRAWING NO. ZEICHNUNGS-NR. C-2302450
ANGLES/WINKEL ±° FINISH/OBERFLAECHE/FARBE		APPLICATION SPEC 114-94431	RESTRICTED TO NUR FÜR	SCALE MASSSTAB 10:1	
MATERIAL see table		WEIGHT GEWICHT	SHEET BLATT 2 OF 3		REV C3
		CUSTOMER DRAWING	/KUNDENZEICHNUNG		

THIS DRAWING IS UNPUBLISHED.
 VERTRAULICHE UNVERÖFFENTLICHTE ZEICHNUNG
 COPYRIGHT 2024 BY TE Connectivity Germany GmbH

RELEASED FOR PUBLICATION
 FREI FUER VERÖFFENTLICHUNG
 ALL RIGHTS RESERVED.
 ALLE RECHTE VORBEHALTEN.

MATED WITH:
 PASSEND ZU:

PROJEKT NR.:		REVISIONS ÄNDERUNGEN			
P	LTR	DESCRIPTION BESCHREIBUNG	DATE	DWN	APVD
-	-	SEE SHEET 1	-	-	-

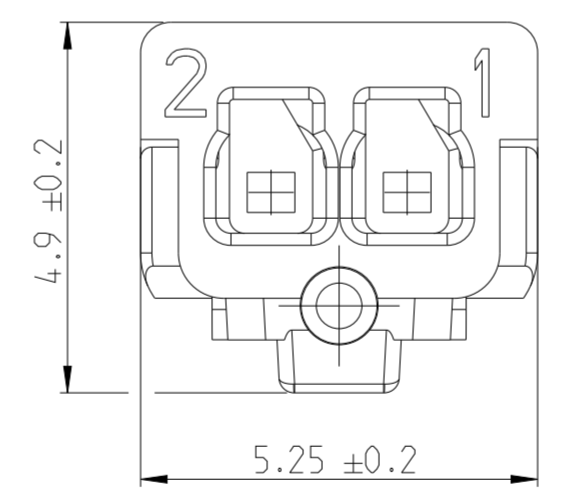
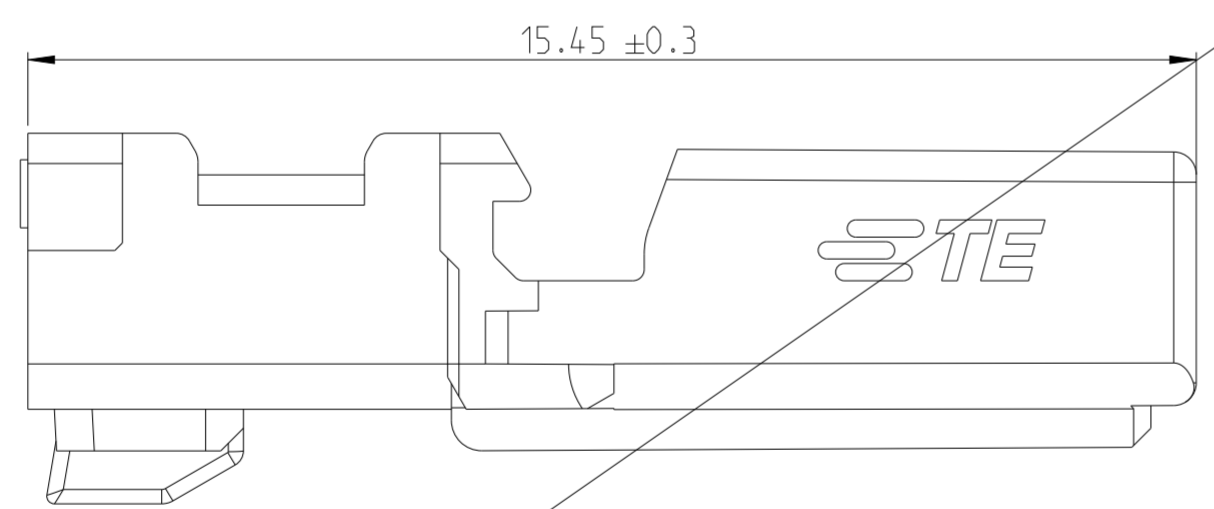
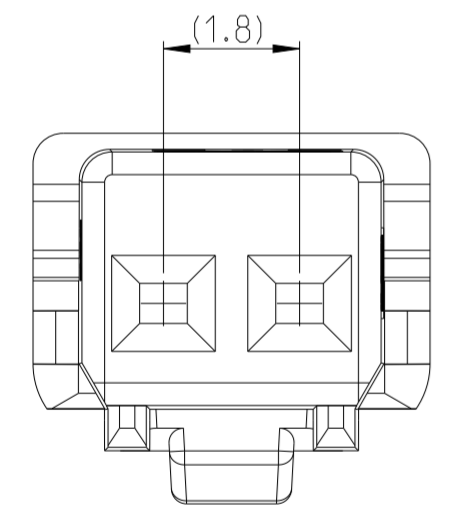


Notizen / NOTES:

- 1 9-2302450-1 wie dargestellt
9-2302450-1 AS SHOWN
- 2 TE-Logo
TE-LOGO
- 3 TE Teil Nummer
TE PART NUMBER
- 4 Revisionsstand
PART REVISION
- 5 Kontaktkammernummer
CONTACT CAVITY NUMBER
- 6 Produktionsdatum
PRODUCTION DATE
- 7 Verpackung: Schuettgut im Beutel im Karton
PACKAGING: LOOSE PIECES IN BAG IN BOX
- 8 zugehoeriger Kontakt siehe Tabelle:
SUITABLE FOR CONTACT SEE TABLE:

Kammer CAVITY	ALL CAVITIES
Buchsenkontakt SOCKET CONTACT	Nano MQS
max. DGB [mm ²] MAX. DGB [mm ²]	0.35mm ² FLR
max. Isolation Ø MAX. ISOLATION Ø	1.3mm
Zeichnung TE DRAWING TE	1703930

**NUR FUER B-MUSTER
FOR PROTOTYPE B-SAMPLES ONLY**



OBSOLETE

9-2302450-6	B	MATenet 2Pos. NanoMQS, FEMALE INSERT MODUL, violet	0.21	HeatherViolet 4003	
9-2302450-5	B	MATenet 2Pos. NanoMQS, FEMALE INSERT MODUL, brown	0.21	FawnBrown 8007	
9-2302450-4	B	MATenet 2Pos. NanoMQS, FEMALE INSERT MODUL, blue	0.21	SignalBlue 5005	
9-2302450-3	B	MATenet 2Pos. NanoMQS, FEMALE INSERT MODUL, yellow	0.21	CurryYellow 1027	
9-2302450-2	B	MATenet 2Pos. NanoMQS, FEMALE INSERT MODUL, green	0.21	EmeraldGreen 6001	
9-2302450-1	B	MATenet 2Pos. NanoMQS, FEMALE INSERT MODUL, black	0.21	Black 9005	
PART No.	Rev.	DESCRIPTION	MATERIAL	WEIGHT [g]	COLOUR similar RAL

THIS DRAWING IS A CONTROLLED DOCUMENT. DIMENSIONING AND TOLERANCING PER GPS (ISO STANDARDS).

DWN: J. KIESSWEITER 16AUG2016
 CHK: R. WUERKER 16AUG2016
 APVD: A. KETTLER 29AUG2016

TE Connectivity

MATenet, 2Pos., nanoMQS, FEMALE INSERT MODUL

SIZE: A2 CAGE CODE: 00779 DRAWING NO: C-2302450 RESTRICTED TO NUR FUER

MATERIAL: see table DIMENSIONS: (mm) TOLERANCES UNLESS OTHERWISE SPECIFIED: ALLGEMEINTOLERANZEN

0 PLC	±0.2
1 PLC	±0.1
2 PLC	±0.05
3 PLC	±
4 PLC	±

APPLICATION SPEC: 114-94431
 VERARBEITUNGSSPEZ. 114-94431
 WEIGHT: -
 CUSTOMER DRAWING /KUNDENZEICHNUNG SCALE: 5:1 SHEET 3 OF 3 REV: C3