

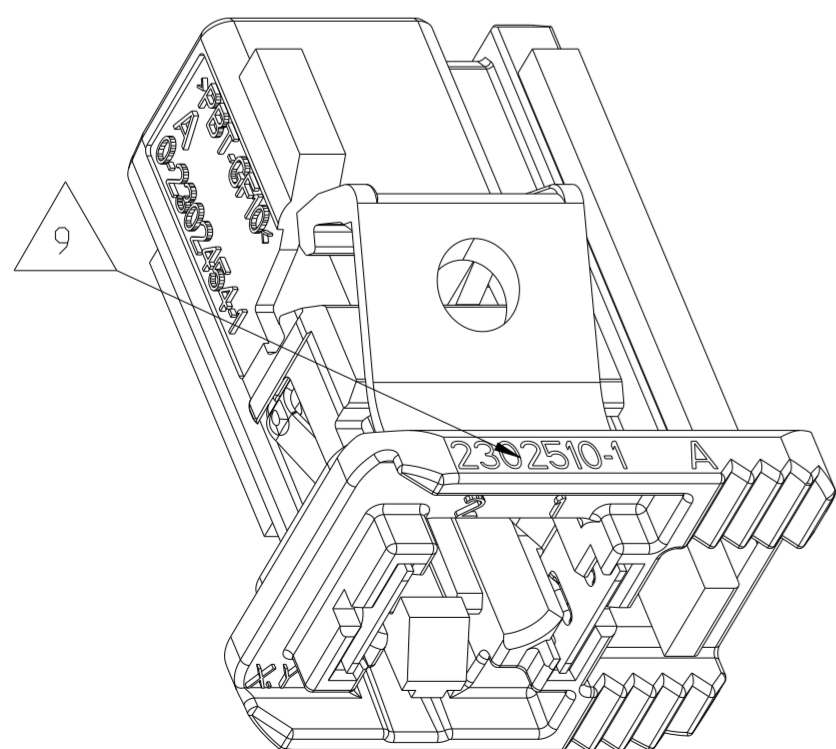
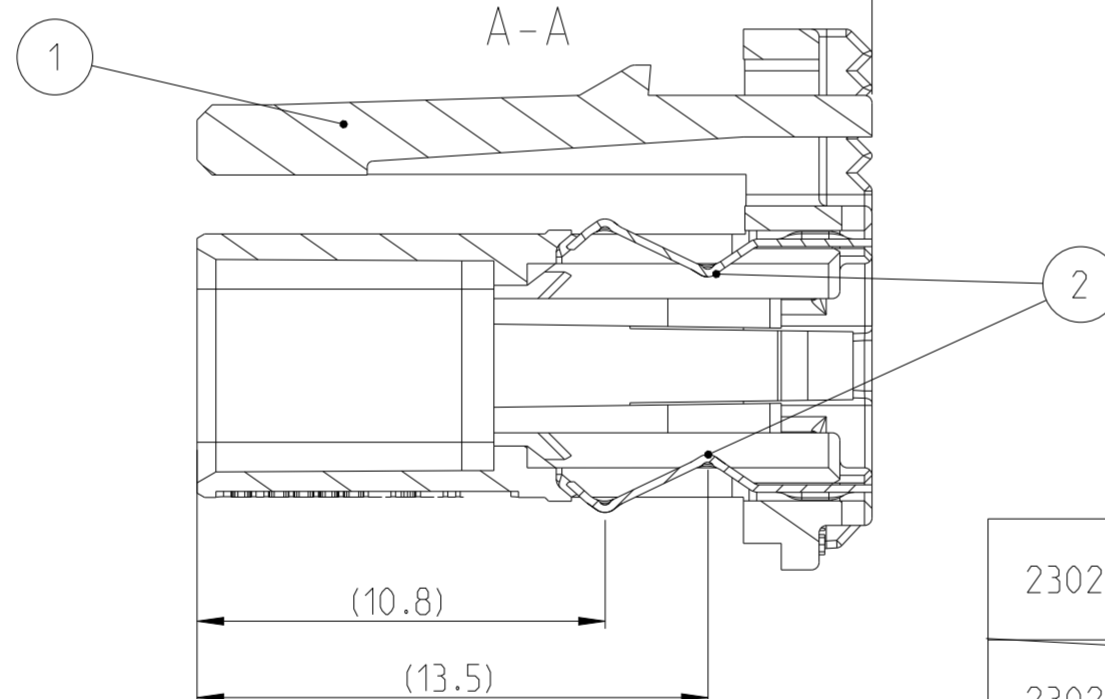
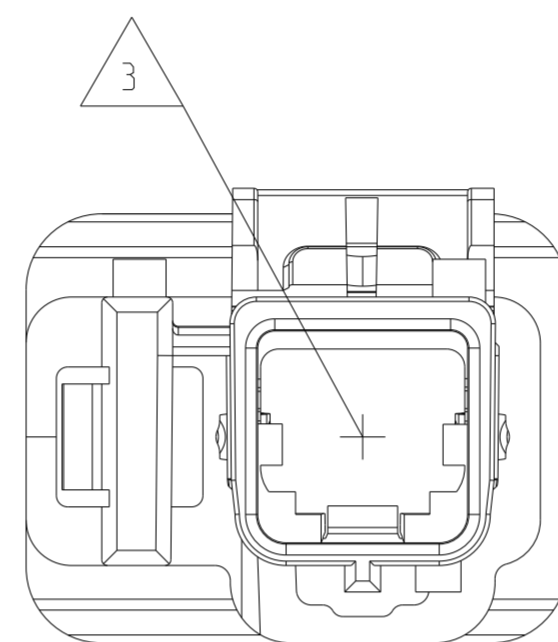
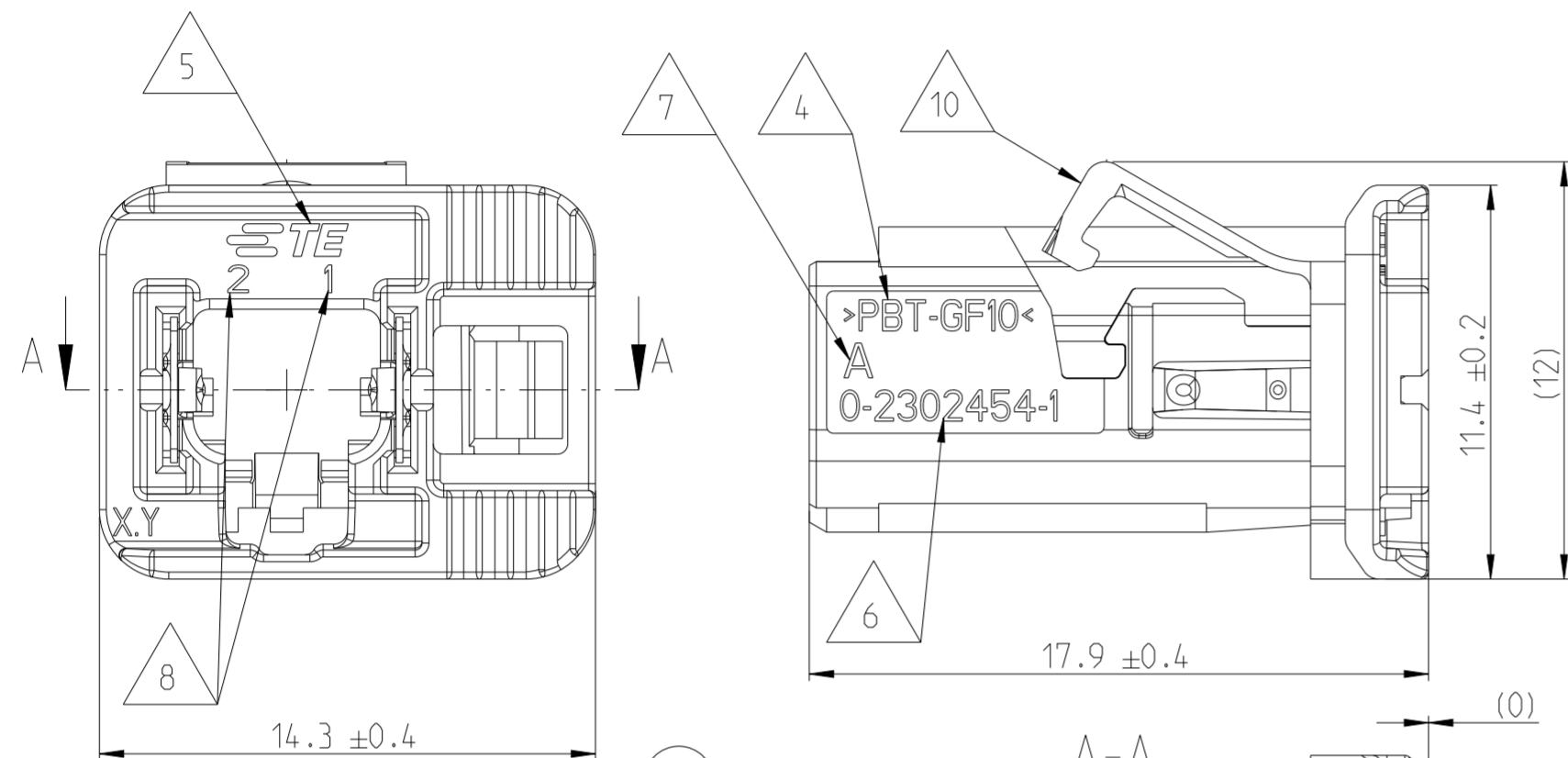
PROJEKT NR.:		REVISIONS ÄNDERUNGEN			
P	LTR	DESCRIPTION BESCHREIBUNG	DATE	DWN	APVD
	A4	E-19-014520	23SEP2019	FF	AK
	A5	PCN-22-128957 (removed optional long Latch)	17FEB2022	RW	AK
	A6	PCN-23-170091 (added Pack.-Spec. V2302510)	24MAR2023	RW	AK
	A7	PCN-24-211274 (added China Market variants)	12JUN2024	RW	AK

Kodierung nach TE Schnittstellenzeichnung 208-18006 / CODINGS ACC. TE INTERFACE DRAWING 208-18006

CODE A	CODE B	CODE C	CODE J	CODE Z

Notizen / NOTES

- 2302510-1 Kodierung A wie dargestellt
2302510-1 CODING A AS SHOWN
- Passend zu Stiftwanne nach TE-Schnittstellenzeichnung 208-18006
MATING TO PINHEADER ACC. TE-INTERFACE DRAWING 208-18006
- Kammer fuer MATenet 2Pos. NanoMQS female Insert module TE PN Y-2302450-X
CAVITY FOR MATenet 2Pos. NanoMQS FEMALE INSERT MODULE TE PN Y-2302450-X
- Materialkennzeichnung
MATERIAL MARKING
- TE-Logo
TE-LOGO
- TE-PN der Komponente "Single-Port MATenet Frame"
TE-PN OF COMPONET "SINGLE-PORT MATenet FRAME"
- Revisionsstand der Komponente "Single-Port MATenet Frame"
PART REVISION OF COMPONET "SINGLE-PORT MATenet FRAME"
- Kontaktkammernummer
CONTACT CAVITY NUMBER
- Baugruppen-PN und Rev., aufgedruckt oder gelasert, siehe Tabelle
ASSEMBLY-PN and REV., PRINTED OR LASERMARKED, SEE TABLE
- Anlieferzustand: 2. Kontaktsicherung geoeffnet
DELIVERY CONDITION: RETAINER IN OPEN POSITION
- Verpackung: nach Spez. V2302510
PACKAGING: ACC. SPEC. V2302510



A7 Varianten 2-2302510-x, siehe Blatt 2
VARIANTS 2-2302510-x, SEE SHEET 2

ASSY PN	REV.	CODE	QTY.	DESCRIPTION	MARKET	MATERIAL	COLOR/SURFACE SIMILAR RAL	WEIGHT [g]	POS
2302510-9	A	Z	2	MATenet STP Contact Spring	GLOBAL	X10CrNi18-8	Sn	0.9	2
			1	Single-Port MATenet Frame, Code Z		PBT GF-10	WATER-BLUE 5021		1
2302510-7	A	J	2	MATenet STP Contact Spring		X10CrNi18-8	Sn	0.9	2
			1	Single-Port MATenet Frame, Code J		PBT GF-10	BEIGE 1001		1
2302510-3	A	C	2	MATenet STP Contact Spring		X10CrNi18-8	Sn	0.9	2
			1	Single-Port MATenet Frame, Code C		PBT GF-10	BLUE 5012		1
2302510-2	A	B	2	MATenet STP Contact Spring		X10CrNi18-8	Sn	0.9	2
			1	Single-Port MATenet Frame, Code B		PBT GF-10	WHITE 9010		1
2302510-1	A	A	2	MATenet STP Contact Spring		X10CrNi18-8	Sn	0.9	2
			1	Single-Port MATenet Frame, Code A		PBT GF-10	BLACK 9011		1

THIS DRAWING IS A CONTROLLED DOCUMENT.

DWN: J. Kießwetter 19OCT2016
 CHK: R. Wuerker 21OCT2016
 APVD: A. Kettler 21OCT2016

DIMENSIONS: MASSEINHEITEN: (MM)
 TOLERANCES UNLESS OTHERWISE SPECIFIED: ALLGEMEINTOLERANZEN

0 PLC	±0.2
1 PLC	±0.1
2 PLC	±0.1
3 PLC	±
4 PLC	±

ANGLES/WINKEL: °
 FINISH/OBERFLÄCHE/FARBE: see table

MATERIAL: see table

PRODUCT SPEC: 108-94568
 APPLICATION SPEC: 114-94431

WEIGHT: see table
 CUSTOMER DRAWING

DW: 19OCT2016
 CHK: 21OCT2016
 APVD: 21OCT2016

NAME: Single-Port MATenet STP Frame Ass'y

SIZE: A2
 CAGE CODE: 00779
 DRAWING NO. ZEICHNUNGS-NR.: C-2302510

RESTRICTED TO NUR FÜR: -

SCALE: 5:1
 SHEET: 1 OF 2
 REV: A7

TE Connectivity

THIS DRAWING IS UNPUBLISHED. VERTRAULICHE UNVERÖFFENTLICHTE ZEICHNUNG
 RELEASED FOR PUBLICATION FREI FUER VERÖFFENTLICHUNG
 MATED WITH: PASSEND ZU:
 ALL RIGHTS RESERVED. ALLE RECHTE VORBEHALTEN.
 2017

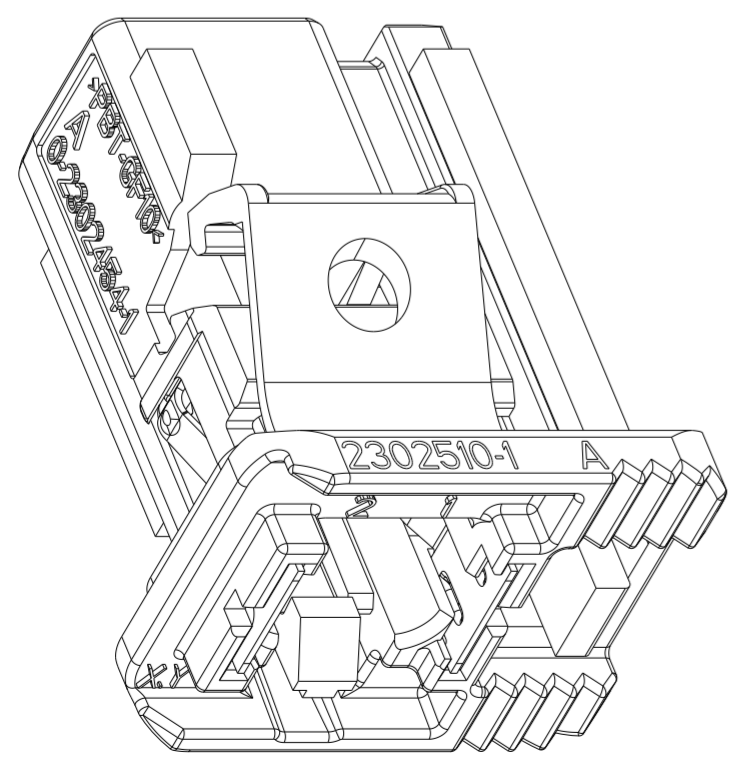
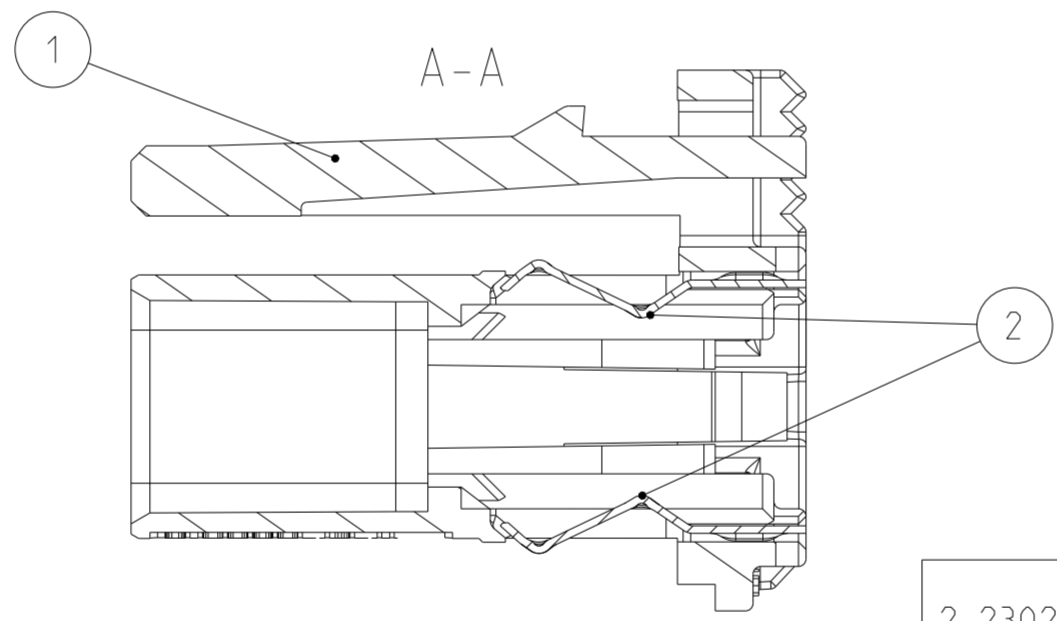
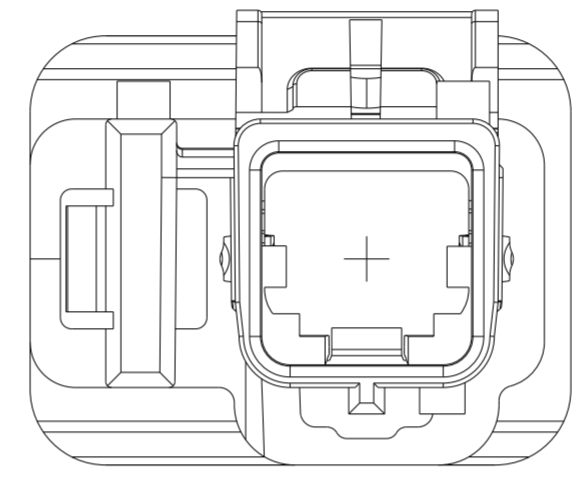
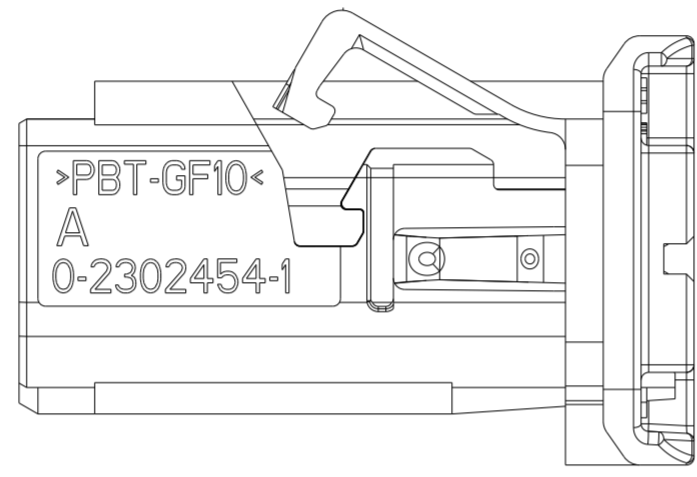
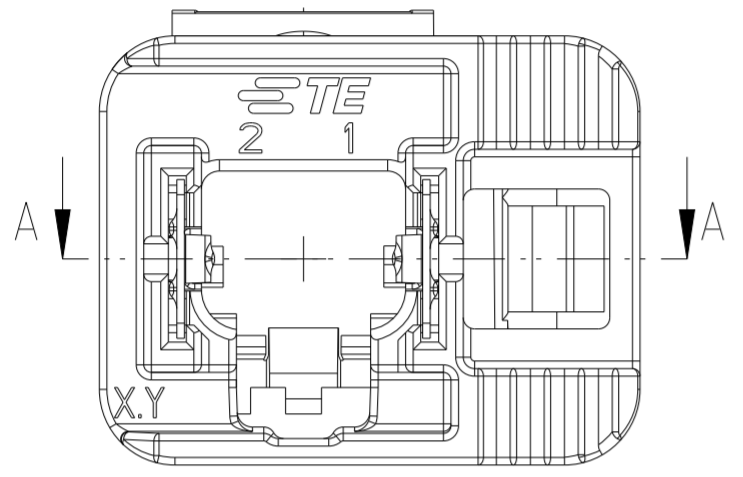
PROJEKT NR.:		REVISIONS				
		ÄNDERUNGEN		DATE	DWN	APVD
		DESCRIPTION				
		BESCHREIBUNG				
P	LTR	SEE SHEET 1		-	-	-

Kodierung nach TE Schnittstellenzeichnung 208-18006 / CODINGS ACC. TE INTERFACE DRAWING 208-18006

CODE A	CODE B	CODE C	CODE J	CODE Z

Notizen / NOTES

12 Fehlenden Maße und Notizen, siehe Blatt 1
 MISSING NOTES AND DIMENSIONS, SEE SHEET 1



ASSY PN	REV.	CODE	QTY.	DESCRIPTION	MARKET	MATERIAL	COLOR/SURFACE SIMILAR RAL	WEIGHT [g]	POS
2-2302510-9	A	Z	2	MATenet STP Contact Spring	CHINA	X10CrNi18-8	Sn	0.9	2
			1	Single-Port MATenet Frame, Code Z		PBT GF-10	WATER-BLUE 5021		1
2-2302510-7	A	J	2	MATenet STP Contact Spring		X10CrNi18-8	Sn	0.9	2
			1	Single-Port MATenet Frame, Code J		PBT GF-10	BEIGE 1001		1
2-2302510-3	A	C	2	MATenet STP Contact Spring		X10CrNi18-8	Sn	0.9	2
			1	Single-Port MATenet Frame, Code C		PBT GF-10	BLUE 5012		1
2-2302510-2	A	B	2	MATenet STP Contact Spring		X10CrNi18-8	Sn	0.9	2
			1	Single-Port MATenet Frame, Code B		PBT GF-10	WHITE 9010		1
2-2302510-1	A	A	2	MATenet STP Contact Spring	X10CrNi18-8	Sn	0.9	2	
			1	Single-Port MATenet Frame, Code A	PBT GF-10	BLACK 9011		1	

THIS DRAWING IS A CONTROLLED DOCUMENT.

DWN: J. Kießwetter 19OCT2016
 CHK: R. Wuerker 21OCT2016
 APVD: A. Ketteler 21OCT2016

DIMENSIONS: MASSEINHEITEN: (MM)

TOLERANCES UNLESS OTHERWISE SPECIFIED: ALLGEMEINTOLERANZEN

0 PLC ±0.2
 1 PLC ±0.1
 2 PLC ±0.1
 3 PLC ±
 4 PLC ±
 ANGLES/WINKEL ±°
 FINISH/OBERFLAECHE/FARBE

MATERIAL: see table

WEIGHT: see table

CUSTOMER DRAWING

NAME: Single-Port MATenet STP Frame Ass'y

SIZE: A2

CAGE CODE: 00779

DRAWING NO. ZEICHNUNGS-NR.: C-2302510

RESTRICTED TO NUR FUER: -

SCALE MASSSTAB: 5:1

SHEET BLATT: 2 OF VON 2

REV: A7

TE Connectivity