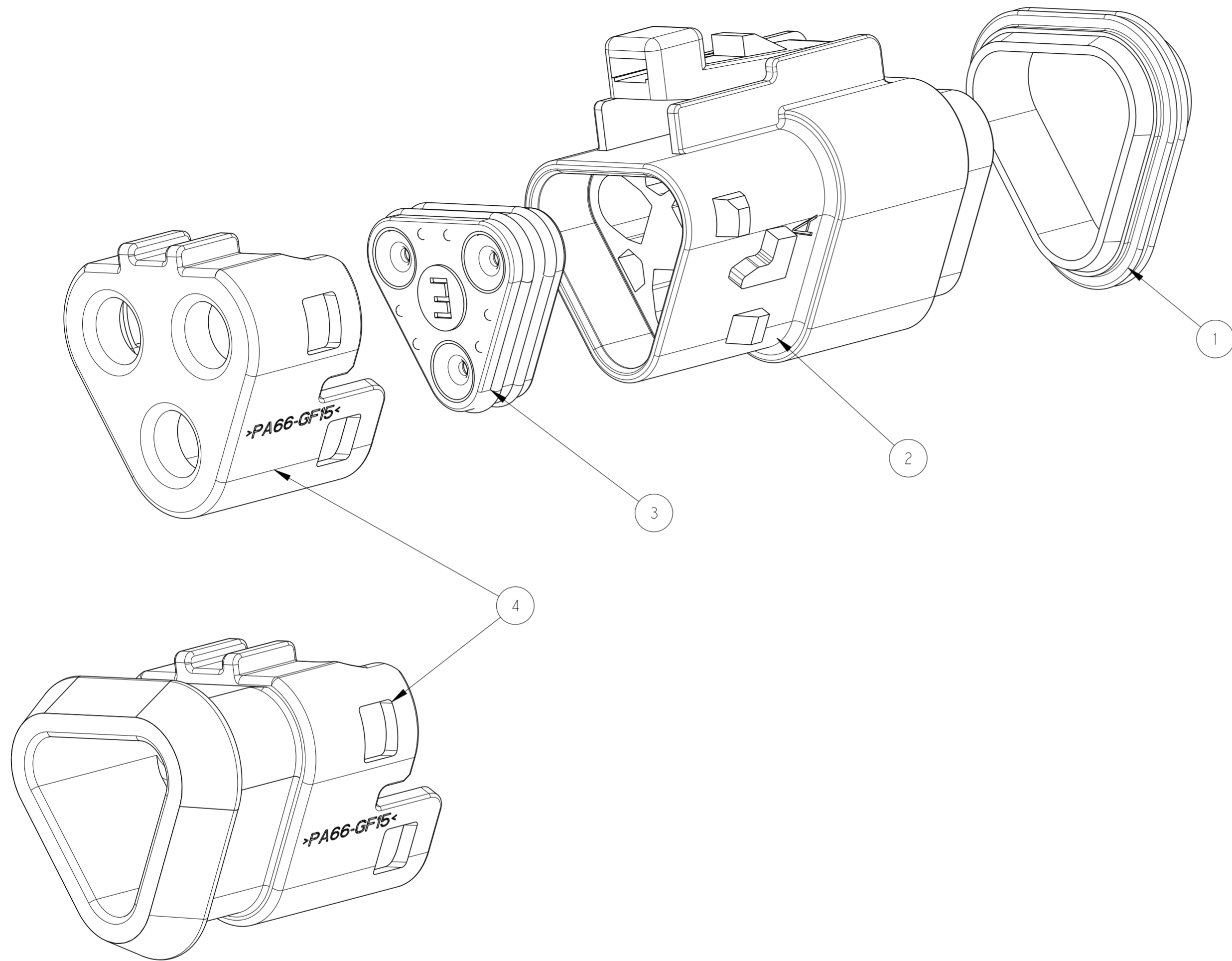


THIS DRAWING IS UNPUBLISHED. RELEASED FOR PUBLICATION
 © COPYRIGHT copyright.d8te- ALL RIGHTS RESERVED.

REVISIONS				
P	LTR	DESCRIPTION	DATE	APVD
A		INITIAL RELEASE	07AUG2017	C.W I.Y
A2		REVISED PER PCN: E-18-007072	04MAY2018	AJ DM
B		REVISED PER PCN E-19-014633	11FEB2019	AK NS



NOTES:

1. SECONDARY WEDGE LOCK SOLD SEPARATELY: W3S-XXXX.
 (XXXX = ALL MODIFICATIONS)
 W3S OR W3S-P012 MAY BE USED WITH THESE PLUGS
 W3S-P012 IS RECOMMENDED.

2. THIS PLUG MATES WITH DT04-3P-XXXX RECEPTACLE.
 (XXXX = ALL MODIFICATIONS)

3 MATERIAL: HOUSING: PA66 GF15, SEE TABLE FOR COLOR
 GROMMET: VMQ SEE TABLE FOR COLOR
 FRONT SEAL: VMQ (RED-ORANGE), SEE TABLE FOR DETAIL.

4 DATE CODE: IDENTIFIES THE YEAR, MONTH, DAY AND HOUR OF ASSEMBLY.
 YEAR: FIRST AND SECOND DIGITS. (17 = 2017)
 MONTH: THIRD DIGIT, EXCLUDING I. A = JAN, B = FEB,
 C = MARCH ... (K = OCTOBER)
 DAY: FOURTH AND FIFTH DIGITS (14 = 14th DAY)
 HOUR: SIXTH AND SEVENTH DIGITS (11 = 11AM)

5 "E" IDENTIFIES E-SEAL.

6. FOR CONTACTS AND WIRE PERFORMANCE AND APPLICATION CHARACTERISTICS SEE CUSTOMER DRAWING 0425-015-0000.

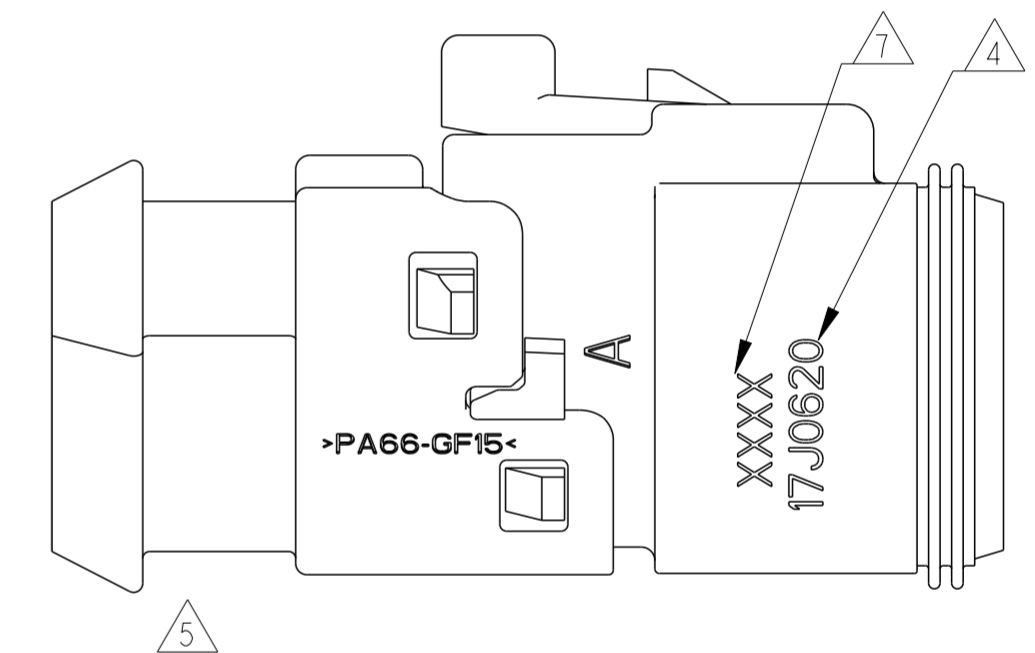
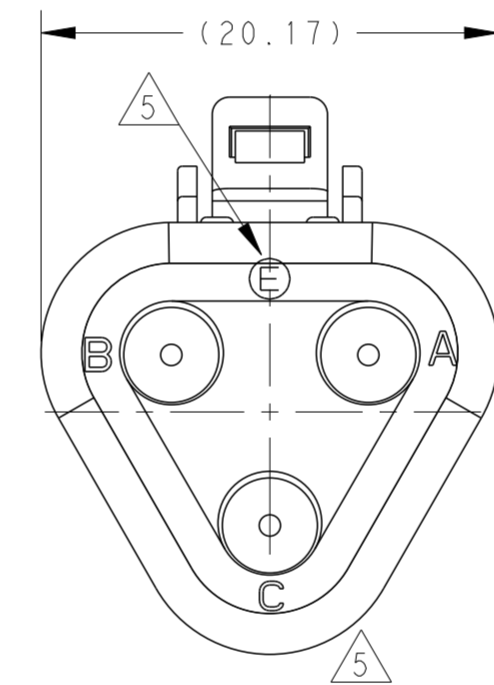
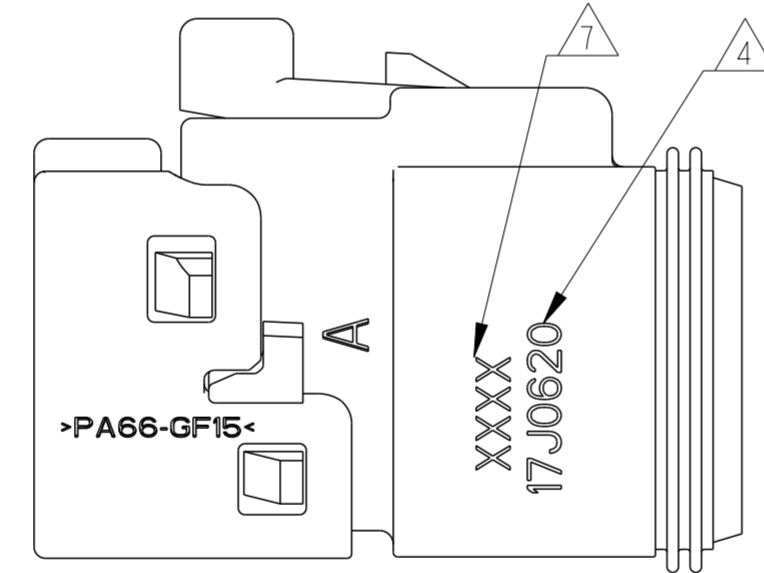
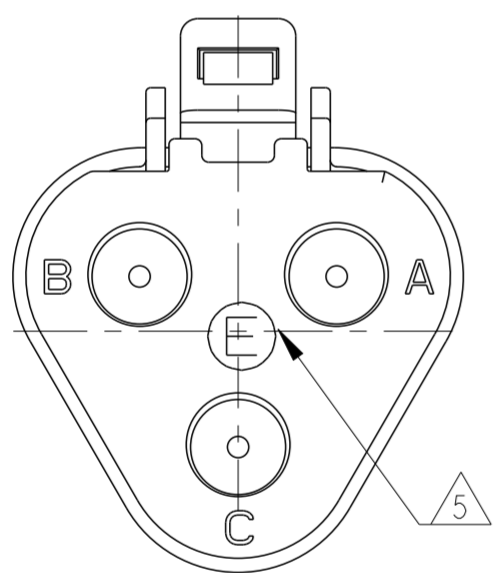
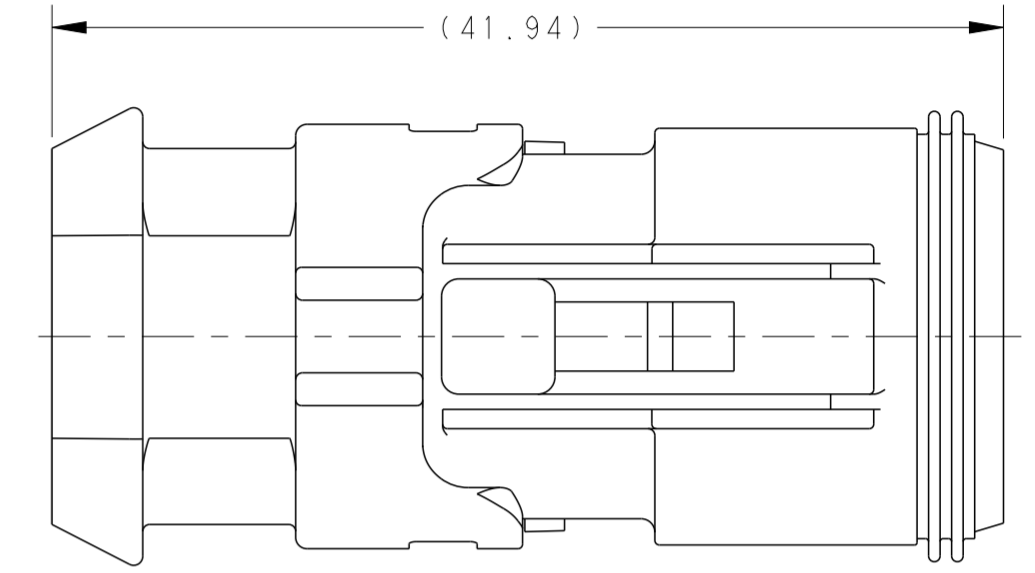
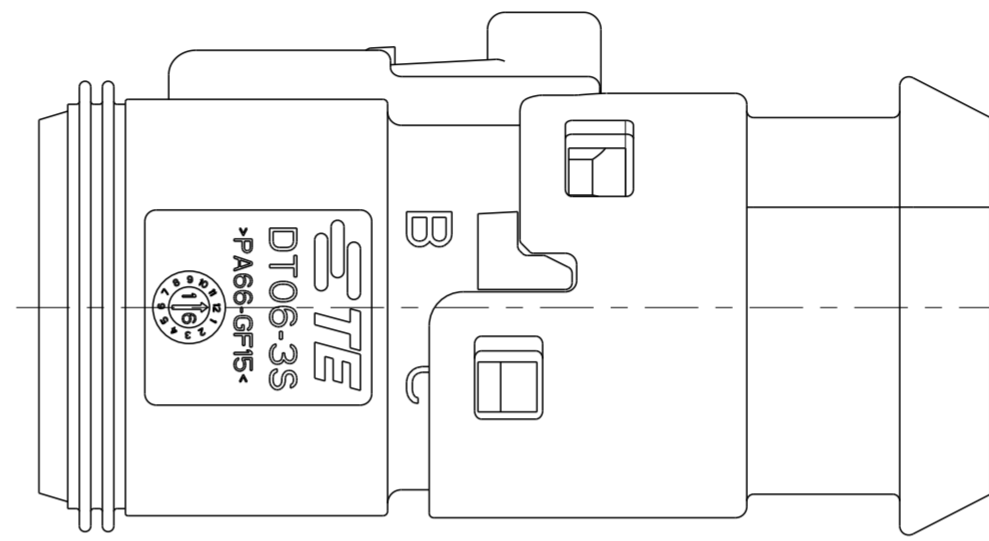
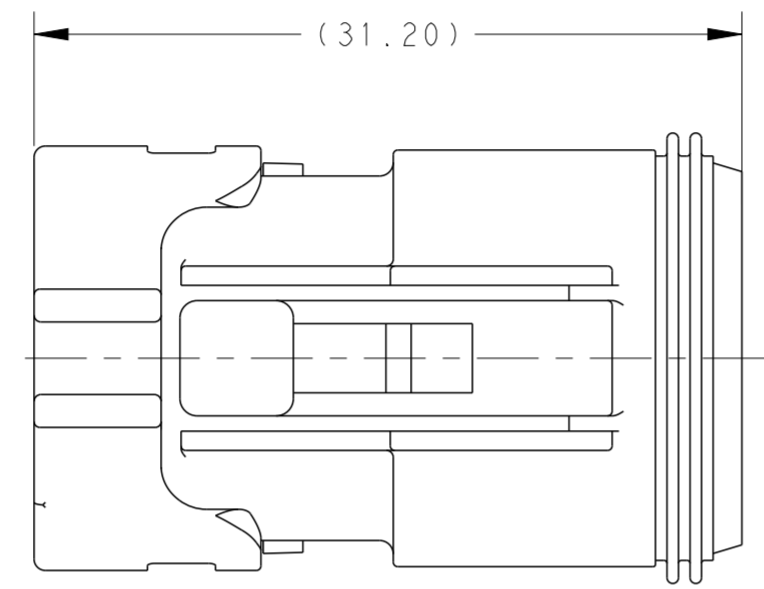
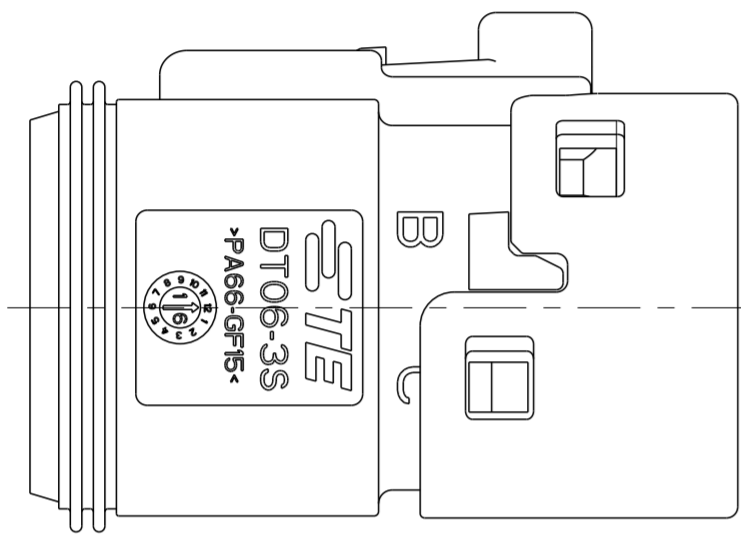
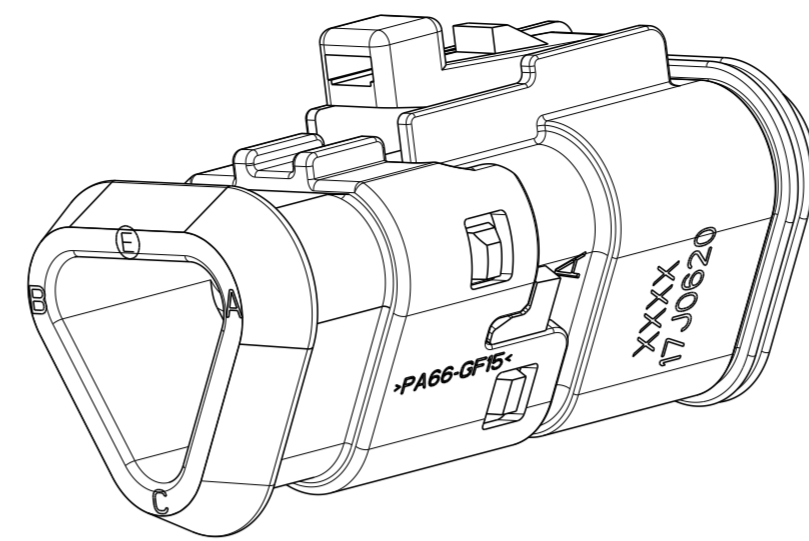
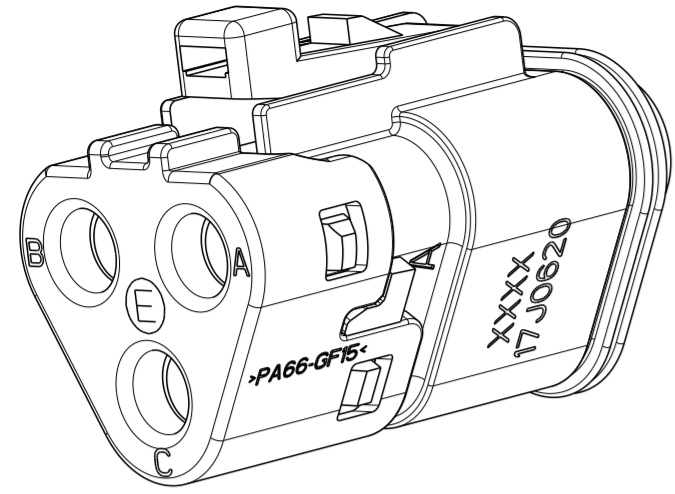
7 XXXX IDENTIFIES THE MODIFICATION NUMBER, IF APPLICABLE. EXAMPLE: "TE31" FOR DT06-3S-TE31.

CONTACT SIZE	WIRE RANGE	SEALING RANGE	SEAL IDENTIFICATION
#16	14-20AWG (2.5-0.5mm ²)	.088-.145 [2.23-3.68]	STANDARD SEAL N-SEAL
		.053-.120 [1.35-3.05]	EXTRA THIN SEAL E-SEAL

THIS DRAWING IS A CONTROLLED DOCUMENT.		DWN C.WAN 15OCT2017	TE Connectivity	
DIMENSIONS: mm		CHK E.JIANG 15OCT2017		
TOLERANCES UNLESS OTHERWISE SPECIFIED:		APVD I.YIN 15OCT2017	NAME DT SERIES, SNAP CAPS 3 WAY PLUG, DT06-3S-TXXX	
0 PLC ± 1 PLC ±0.64 2 PLC ±0.64 3 PLC ± 4 PLC ± ANGLES ± FINISH ±		PRODUCT SPEC 108-151009	SIZE A2	CAGE CODE -
MATERIAL 3		APPLICATION SPEC 114-151009	DRAWING NO C-2303816	RESTRICTED TO
		WEIGHT SEE TABLES	SCALE 1:1	SHEET 1 OF 2
		CUSTOMER DRAWING	REV B	

THIS DRAWING IS UNPUBLISHED. RELEASED FOR PUBLICATION
 © COPYRIGHT copyright.d8Te- ALL RIGHTS RESERVED.

REVISIONS				
P	LTR	DESCRIPTION	DATE	APVD
-		SEE SHEET 1		



5				5				
				COLOR	MATERIAL	DESCRIPTION	ITEM NO	
1	1	1	1	GREY	PA66-GF15	STD CAP	4	
1	1			BLACK	PA66-GF15	STD CAP	4	
1		1	1	BURNT RED	VMQ	GROMMET, E-SEAL	3	
	1	1		ORANGE-RED	VMQ	GROMMET, N-SEAL	3	
		1	1	GREY	PA66-GF15	HOUSING	2	
1	1			BLACK	PA66-GF15	HOUSING	2	
1	1	1	1	ORANGE	VMQ	FRONT SEAL	1	
				COLOR	MATERIAL	DESCRIPTION	ITEM NO	
7.50	7.48	7.48	7.51	WEIGHT OF EACH ASSY NO. (g)				
B	A	A	B	REVISION OF EACH ASSY NO.				
DT06-3S-TE32	DT06-3S-TN32	DT06-3S-TN31	DT06-3S-TE31	DEUTSCH				
1--4	1--3	1--2	1--1	TE PN				
DT06-3S-CE05	DT06-3S-E005-EP06	DT06-3S-E003-EP04	DT06-3S-CE01	COMPARABLE PART				

QTY.	REQUEST PER ASSY	COLOR	MATERIAL	DESCRIPTION	ITEM NO		
1	1	GREY	PA66-GF15	LONG CAP	4		
1	1	BLACK	PA66-GF15	LONG CAP	4		
1		BURNT RED	VMQ	GROMMET, E-SEAL	3		
	1	ORANGE-RED	VMQ	GROMMET, N-SEAL	3		
		GREY	PA66-GF15	HOUSING	2		
1	1	BLACK	PA66-GF15	HOUSING	2		
1	1	ORANGE	VMQ	FRONT SEAL	1		
QTY. REQUEST PER ASSY				COLOR	MATERIAL	DESCRIPTION	ITEM NO
8.96	8.94	8.94	8.96	WEIGHT OF EACH ASSY NO. (g)			
B	A	A	B	REVISION OF EACH ASSY NO.			
DT06-3S-TE82	DT06-3S-TN82	DT06-3S-TN81	DT06-3S-TE81	DEUTSCH			
2--4	2--3	2--2	2--1	TE PN			
DT06-3S-CE13	DT06-3S-EP11	DT06-3S-E008	DT06-3S-CE04	COMPARABLE PART			

THIS DRAWING IS A CONTROLLED DOCUMENT.

DIMENSIONS: mm

TOLERANCES UNLESS OTHERWISE SPECIFIED:

0 PLC	±
1 PLC	±0.64
2 PLC	±0.64
3 PLC	±
4 PLC	±
ANGLES	±
FINISH	±

MATERIAL: 3

APVD: 150CT2017

CHK: E. JIANG

CHG: C. WAN

APVD: 150CT2017

APVD: I. YIN

PRODUCT SPEC: 108-151009

APPLICATION SPEC: 114-151009

WEIGHT: SEE TABLES

CUSTOMER DRAWING

STE TE Connectivity

NAME: DT SERIES, SNAP CAPS 3 WAY PLUG, DT06-3S-TXXX

SIZE: A2

CAGE CODE: -

DRAWING NO: C-2303816

RESTRICTED TO: B

SCALE: 3:1

SHEET: 2 OF 2

REV: B