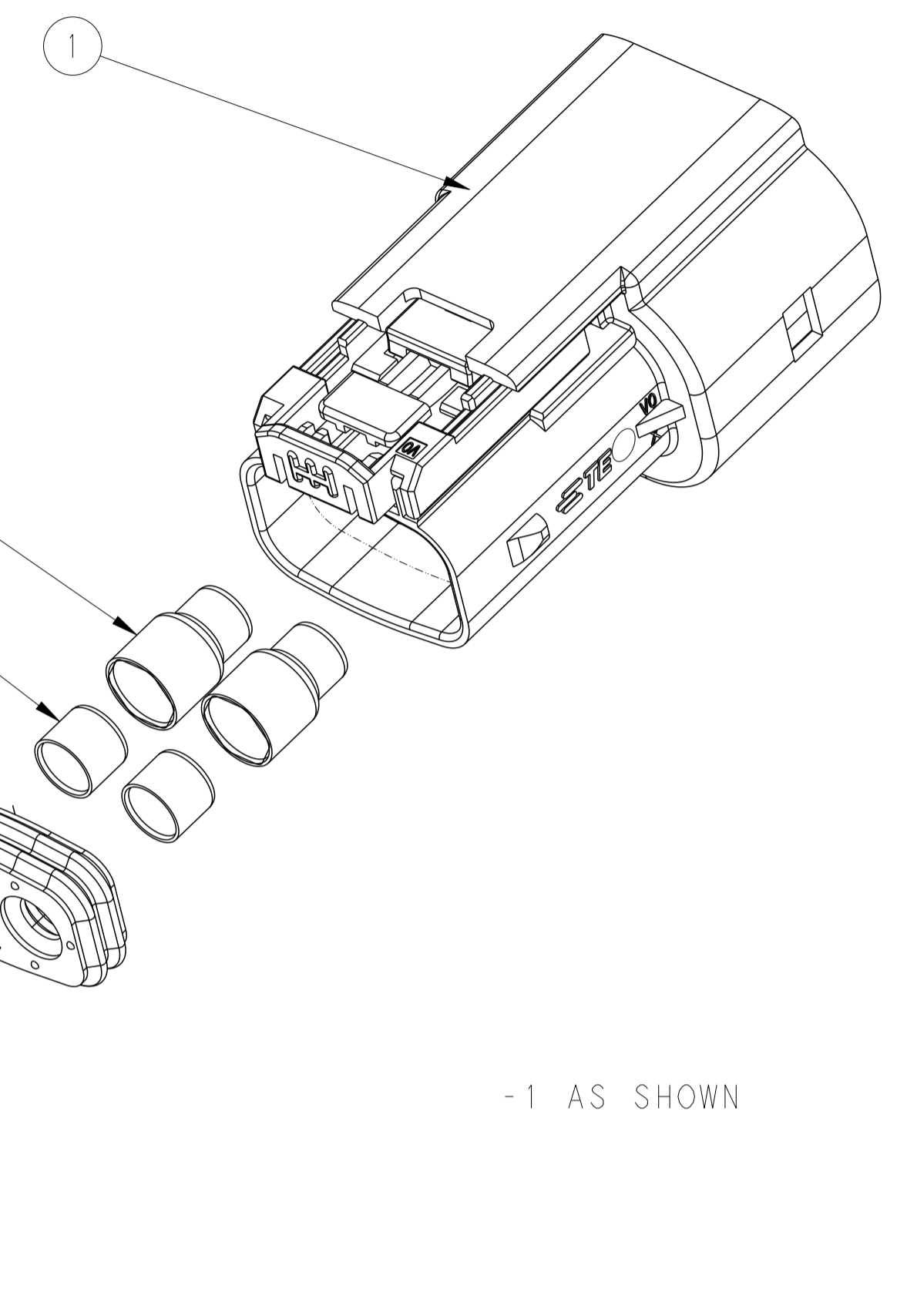
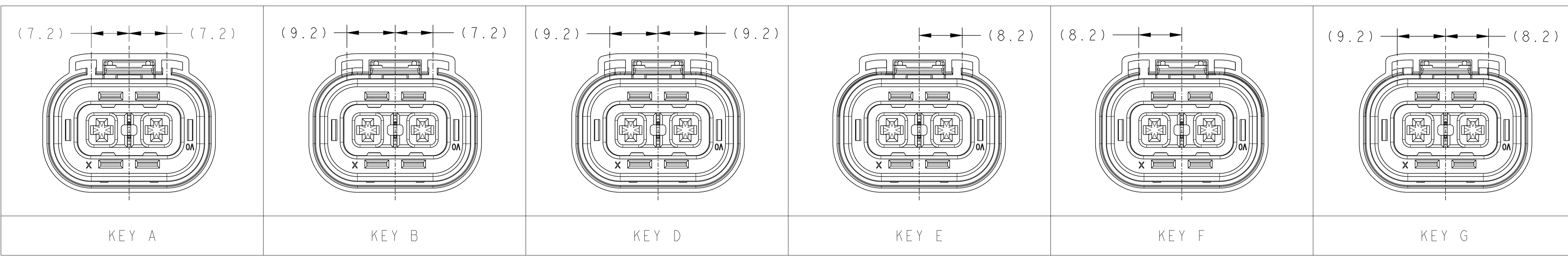
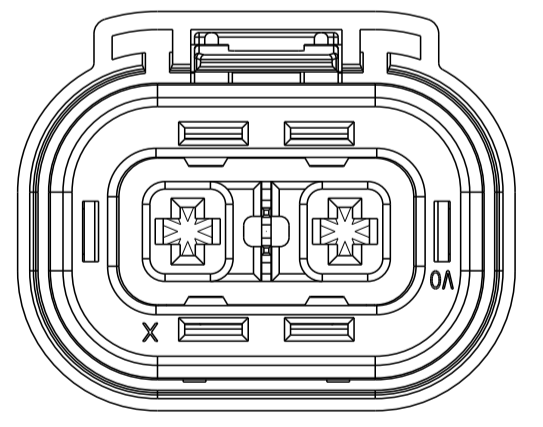
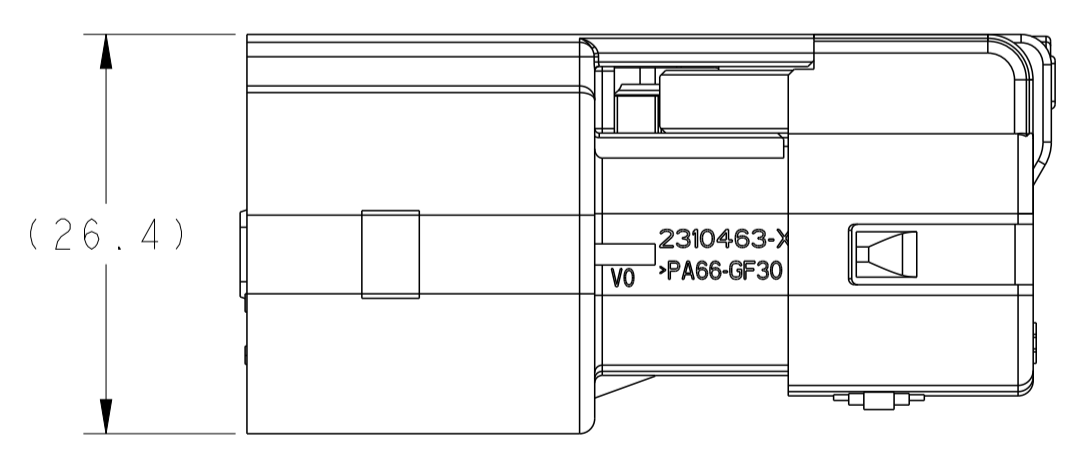
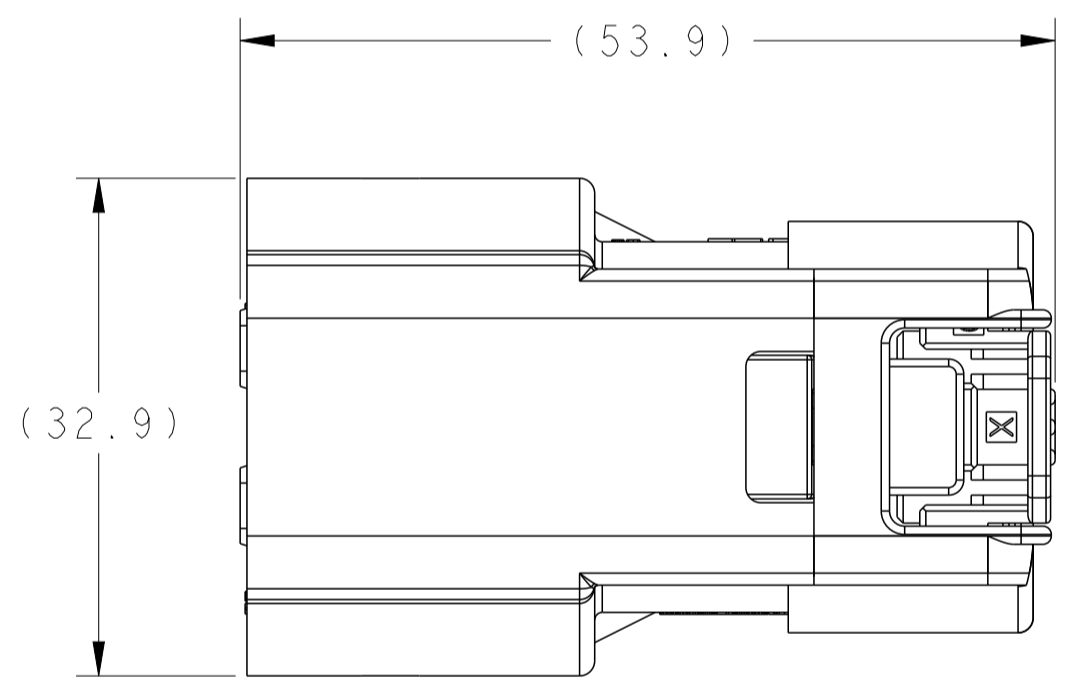


REVISIONS				
P	LTN	DESCRIPTION	DATE	OWN APVD
A		RELEASED	30DEC2016	R. Z I. Y
B		REVISED ECO 18-000862	31JAN2018	F. S E. J
C		REVISED ECN-21-128289	25NOV2021	G. S E. J



- ITEMS FROM 1 TO 5 IN ASSEMBLY STATUS AS SHOWN ONLY FOR REFERENCE
- FINAL TEST: VISUAL INSPECTION FOR COMPLETNESS
- COMPONENTS PACKAGE INDIVIDUALLY, ALL PACKAGES TOGETHER IN THE CARTON BOX
- CONSULT INDIVIDUAL CUSTOMER DRAWINGS FOR DETAIL INFORMATION.



CABLE SIZE	QUANTITY REQUIRED						P/N	DESCRIPTION	ITEM
	*-7	*-6	*-5	*-4	*-2	*-1			
4MM2 INDIVIDUALLY SHIELDED	1	1	1	1	1	1	2310469-2	CABLE SEAL RETAINER, HVA280-2PHI XE,V0	5
	1	1	1	1	1	1	1587826-3	CABLE SEAL, HVA280-2PHI	4
	2	2	2	2	2	2	2350495-3	INNER FERRULE, HVA280	3
	2	2	2	2	2	2	2350478-3	OUTER FERRULE, HVA280	2
	1	-	-	-	-	-	2310537-7	PLUG ASSY, KEY G, HVA280-2PHI XE,V0, FINGER ACCESS WITH CPA	1
	-	1	-	-	-	-	2310537-6	PLUG ASSY, KEY F, HVA280-2PHI XE,V0, FINGER ACCESS WITH CPA	
	-	-	1	-	-	-	2310537-5	PLUG ASSY, KEY E, HVA280-2PHI XE,V0, FINGER ACCESS WITH CPA	
	-	-	-	1	-	-	2310537-4	PLUG ASSY, KEY D, HVA280-2PHI XE,V0, FINGER ACCESS WITH CPA	
	-	-	-	-	1	-	2310537-2	PLUG ASSY, KEY B, HVA280-2PHI XE,V0, FINGER ACCESS WITH CPA	
-	-	-	-	-	1	2310537-1	PLUG ASSY, KEY A, HVA280-2PHI XE,V0, FINGER ACCESS WITH CPA		

CABLE SIZE	QUANTITY REQUIRED						P/N	DESCRIPTION	ITEM
	*-7	*-6	*-5	*-4	*-2	*-1			
3MM2 INDIVIDUALLY SHIELDED	1	1	1	1	1	1	2310469-1	CABLE SEAL RETAINER, HVA280-2PHI XE,V0	5
	1	1	1	1	1	1	1587826-2	CABLE SEAL, HVA280-2PHI	4
	2	2	2	2	2	2	2350495-2	INNER FERRULE, HVA280	3
	2	2	2	2	2	2	2350478-2	OUTER FERRULE, HVA280	2
	1	-	-	-	-	-	2310537-7	PLUG ASSY, KEY G, HVA280-2PHI XE,V0, FINGER ACCESS WITH CPA	1
	-	1	-	-	-	-	2310537-6	PLUG ASSY, KEY F, HVA280-2PHI XE,V0, FINGER ACCESS WITH CPA	
	-	-	1	-	-	-	2310537-5	PLUG ASSY, KEY E, HVA280-2PHI XE,V0, FINGER ACCESS WITH CPA	
	-	-	-	1	-	-	2310537-4	PLUG ASSY, KEY D, HVA280-2PHI XE,V0, FINGER ACCESS WITH CPA	
	-	-	-	-	1	-	2310537-2	PLUG ASSY, KEY B, HVA280-2PHI XE,V0, FINGER ACCESS WITH CPA	
-	-	-	-	-	1	2310537-1	PLUG ASSY, KEY A, HVA280-2PHI XE,V0, FINGER ACCESS WITH CPA		

THIS DRAWING IS A CONTROLLED DOCUMENT. DIMENSIONS: mm. TOLERANCES UNLESS OTHERWISE SPECIFIED: 0 PLC ±0.1, 1 PLC ±0.1, 2 PLC ±0.1, 3 PLC ±0.001, 4 PLC ±0.001, UNLESS OTHERWISE SPECIFIED.

OWN: R. ZHANG 15MAY2016  
 CHK: S.Y. WANG 30DEC2016  
 APVD: J. YIN 30DEC2016

NAME: HVA280 2PHI XE PLUG ASSY  
 PRODUCT SPEC: 108-2394  
 APPLICATION SPEC: 114-13259

SIZE: A1  
 CAGE CODE: -  
 DRAWING NO: C=2305020

RESTRICTED TO: -  
 SCALE: 2:1  
 SHEET: 1 OF 1  
 REV: C