

THIS DRAWING IS UNPUBLISHED.

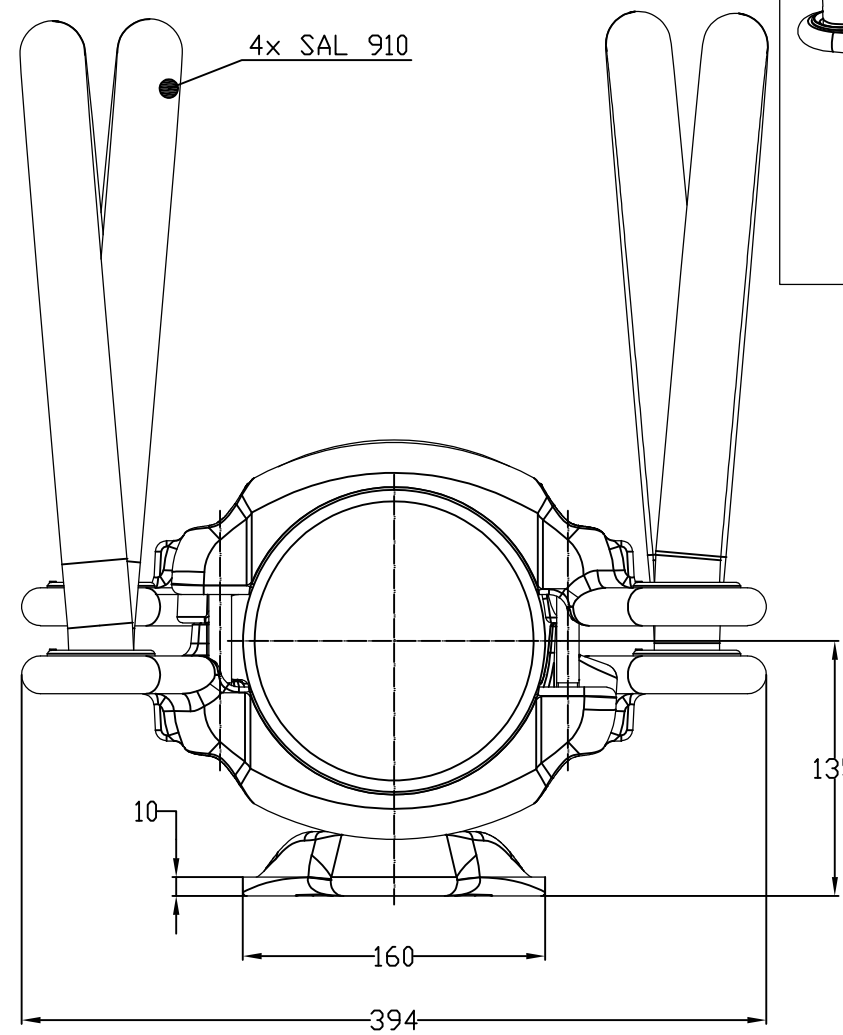
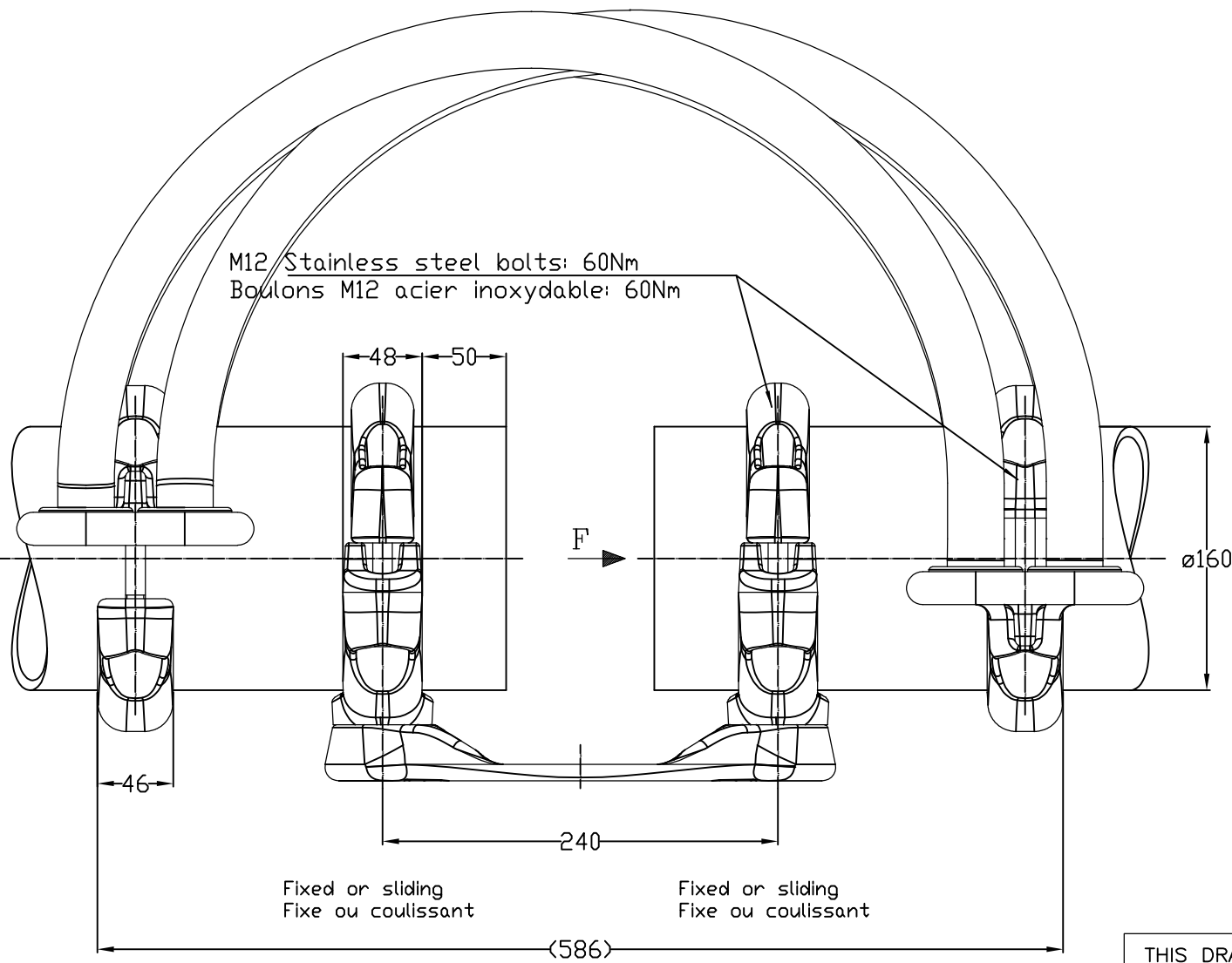
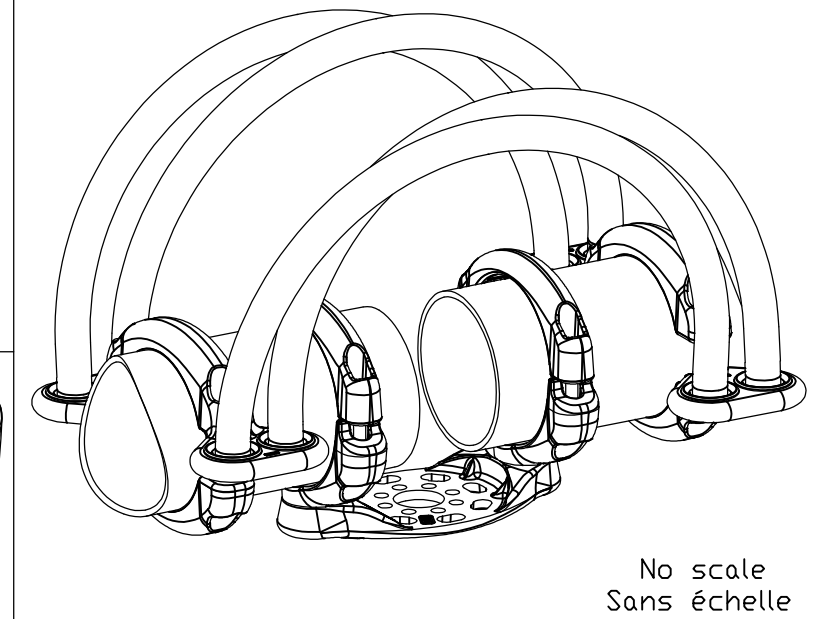
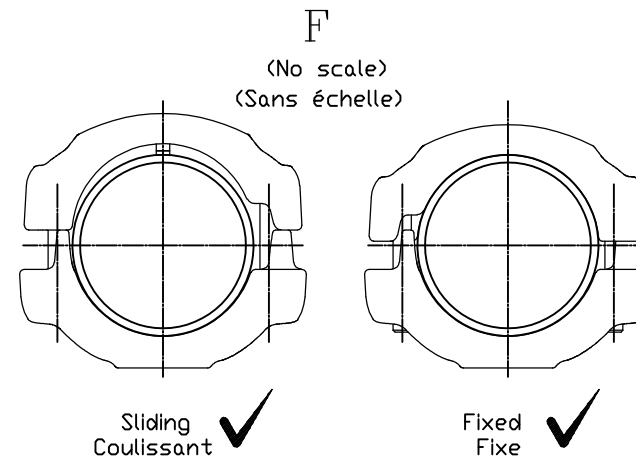
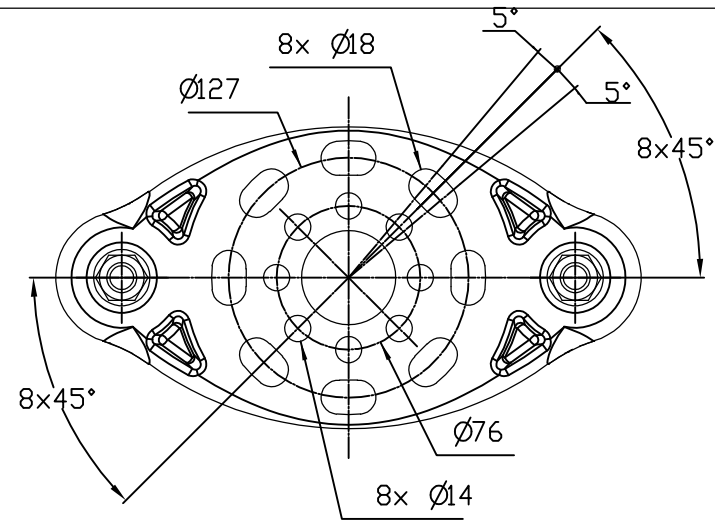
RELEASED FOR PUBLICATION

ALL RIGHTS RESERVED.

© COPYRIGHT - By -

REVISIONS

P	LTR	DESCRIPTION	DATE	DWN	APVD
	A	CREATION	10-Aug-16	JPM	-



THIS DRAWING IS A CONTROLLED DOCUMENT.

DWN MOYEUX 10-Aug-16

CHK -

APVD -

PRODUCT SPEC

108-69090-001

APPLICATION SPEC

APPROX.WEIGHT 18 kg

CUSTOMER DRAWING



5 TJL 82 P3-P5 T160 49

SIZE	CAGE CODE	DRAWING NO	RESTRICTED TO
A3	00779	C=2305146	-

SCALE	SHEET	REV
1:4	1 OF 1	A

DIMENSIONS:	TOLERANCES UNLESS OTHERWISE SPECIFIED:
mm	
	0 PLC ± -
	1 PLC ± -
	2 PLC ± -
	3 PLC ± -
	4 PLC ± -
	ANGLES ± -
	FINISH -

ITEM:.....