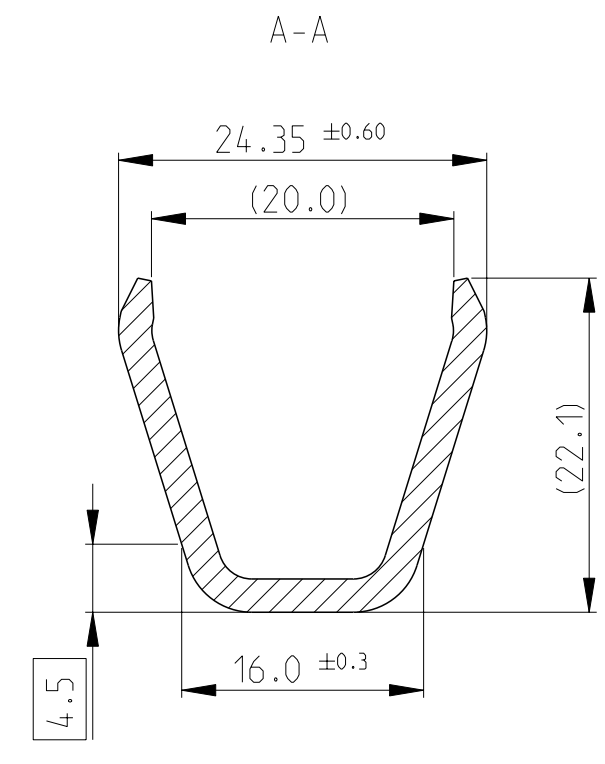
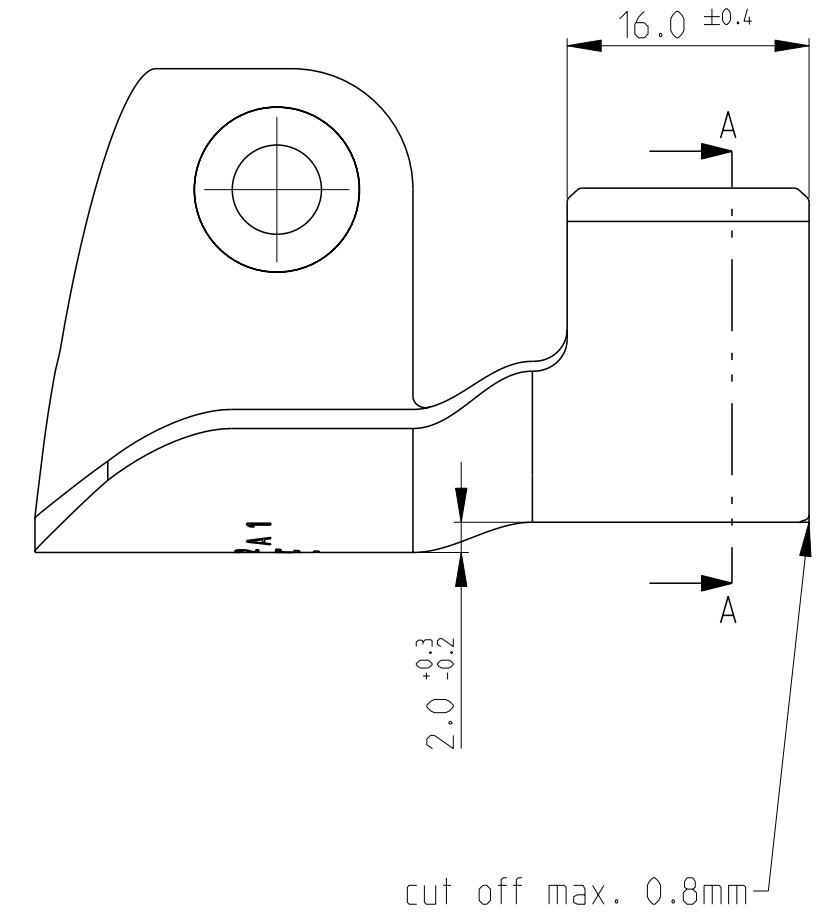
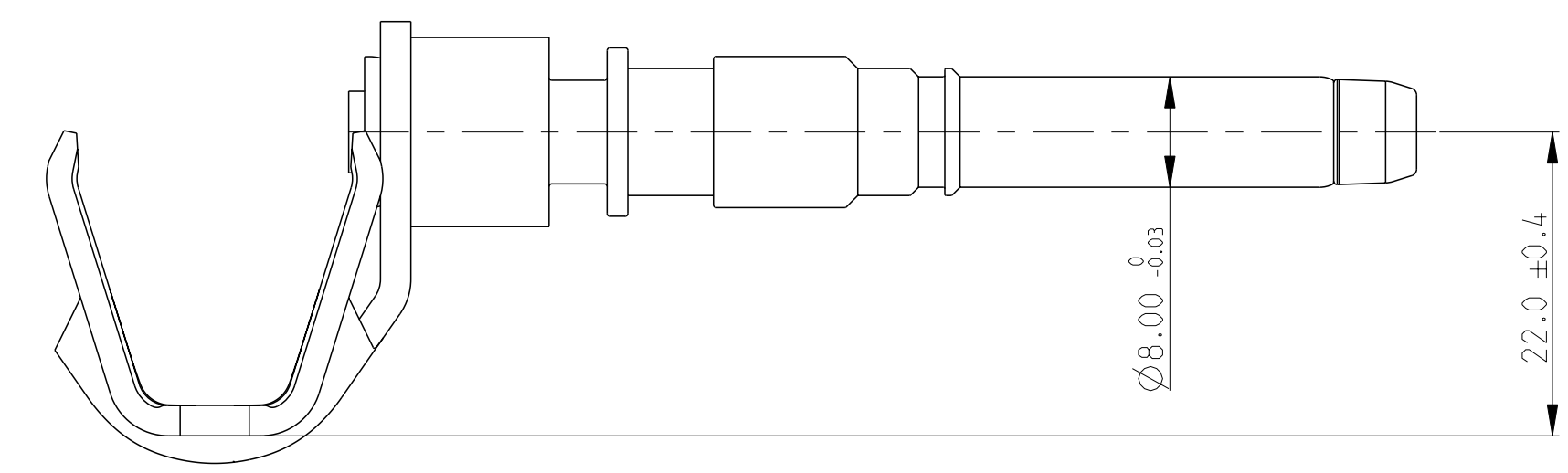
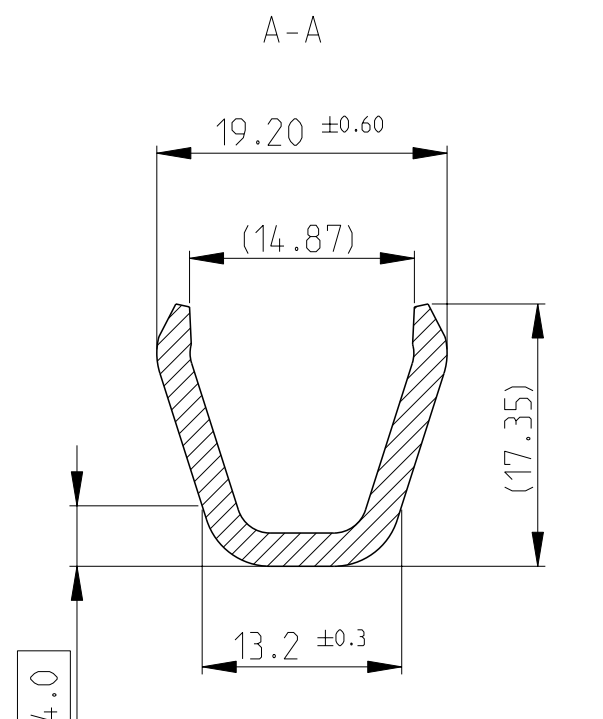


THIS DRAWING IS UNPUBLISHED. RELEASED FOR PUBLICATION. ALL RIGHTS RESERVED.

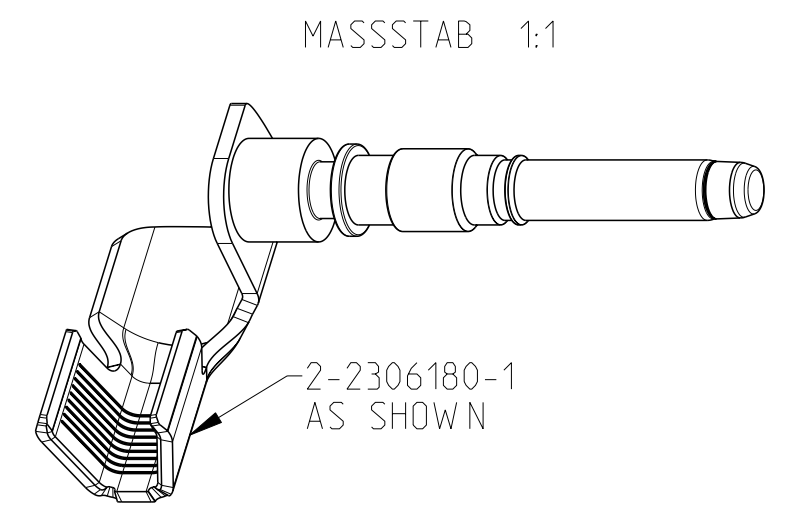
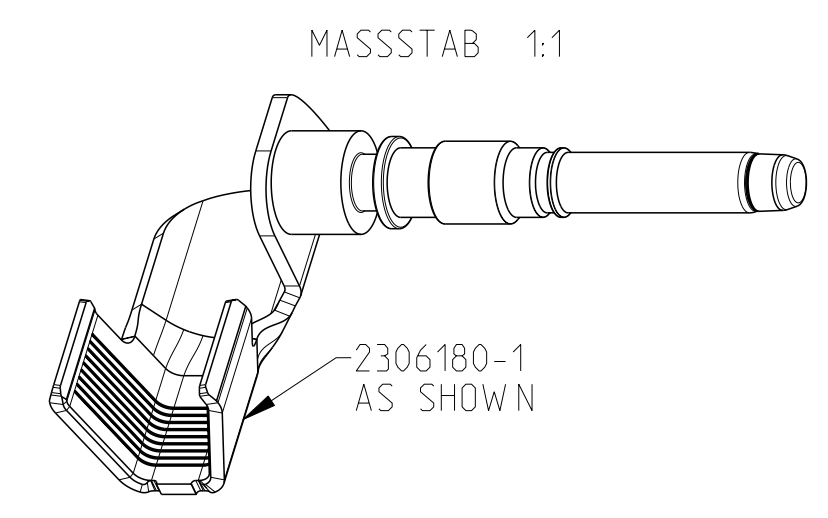
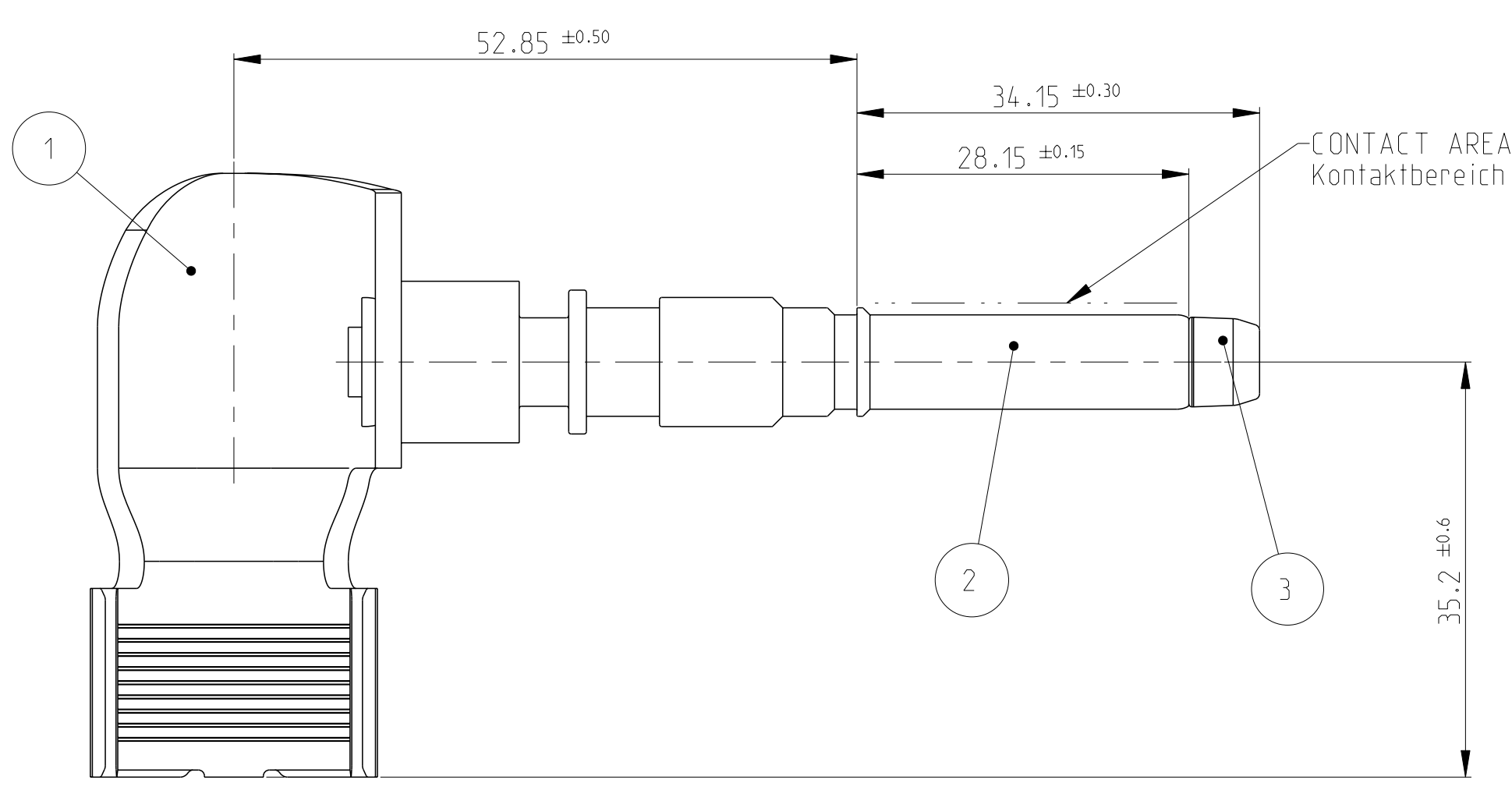
REVISIONS					
#	DATE	DESCRIPTION	DATE	DWN	APVD
A1	04 JUL 2022	ECR-22-144827		HK	SR
B	25 AUG 2023	ECR-23-185249		HK	SR



WIRE CRIMP DESIGN
Drahtcrimp Ausführung
2306180-1



WIRE CRIMP DESIGN
Drahtcrimp Ausführung
2-2306180-1



MATERIAL	FINISH	DESCRIPTION	ITEM NO.	PACKAGING	WEIGHT IN [g]	WIRE RANGE	ASSEMBLY NO.	REV
PA66		PROTECTION CAP	3	LOOSE PIECE IN TRAY	82	16-25	2-2306180-1	B
Cu	6-16 µm Ag IN THE CONTACT AREA A THICKER Ag LAYER IS ALLOWED IF THE LIMIT DIMENSIONS ARE OBSERVED pre 0.5-2.5 µm TIN PER 112-16-3 over 0.5-2 µm NICKEL PER 112-25-2	PIN	2					
Cu-ETP R220		BODY	1					
PA66		PROTECTION CAP	3					
Cu	6-16 µm Ag IN THE CONTACT AREA A THICKER Ag LAYER IS ALLOWED IF THE LIMIT DIMENSIONS ARE OBSERVED pre 0.5-2.5 µm TIN PER 112-16-3 over 0.5-2 µm NICKEL PER 112-25-2	PIN	2	91	50-70	2306180-1	B	
Cu-ETP R220		BODY	1					

THIS DRAWING IS A CONTROLLED DOCUMENT. DIMENSIONS: mm. TOLERANCES UNLESS OTHERWISE SPECIFIED: 0 PLC ±0.1, 1 PLC ±0.1, 2 PLC ±0.05, 3 PLC ±0.02, 4 PLC ±0.02, ANGLES ±0.1. FINISH: -.

DWN: H. Kraenzlein, CHK: S. Raab, APVD: M. Burghard.

STE TE Connectivity

NAME: PIN DIA 8.0 TERMINAL 90 DEG

SIZE: A1, CAGE CODE: 00779, DRAWING NO: 2306180, RESTRICTED TO: B.

CUSTOMER DRAWING. SCALE: 2:1, SHEET: 1 OF 1, REV: B.