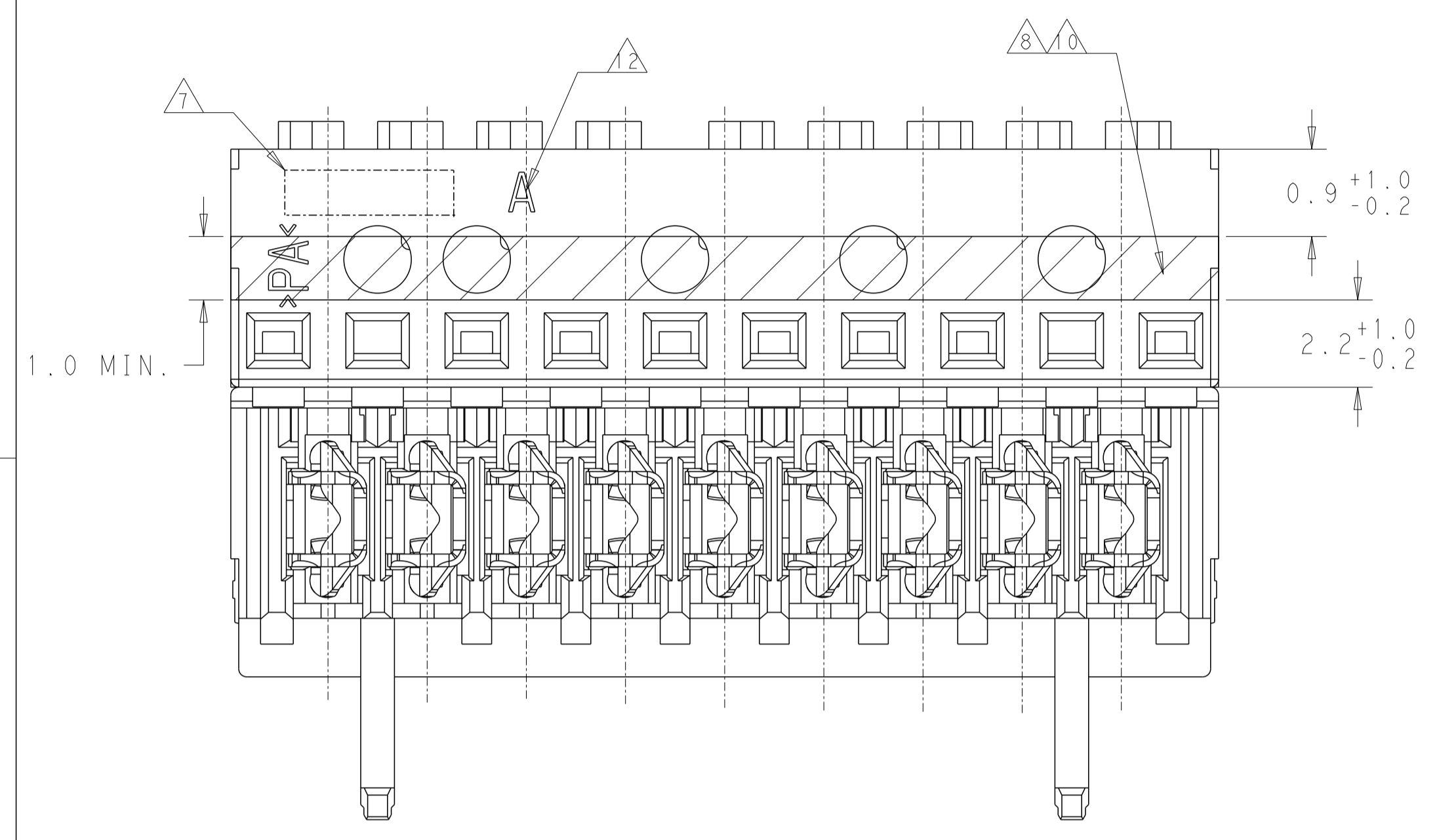
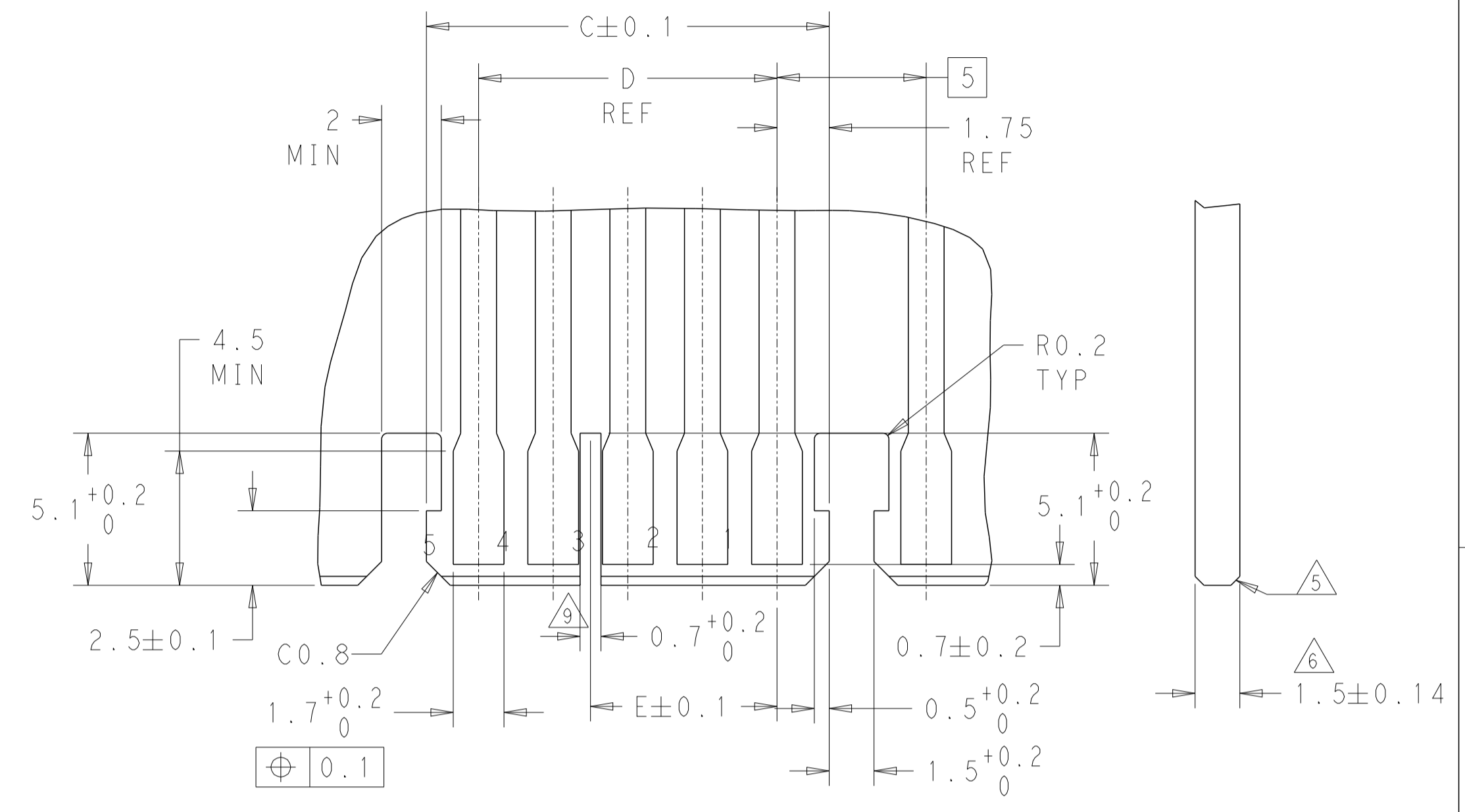


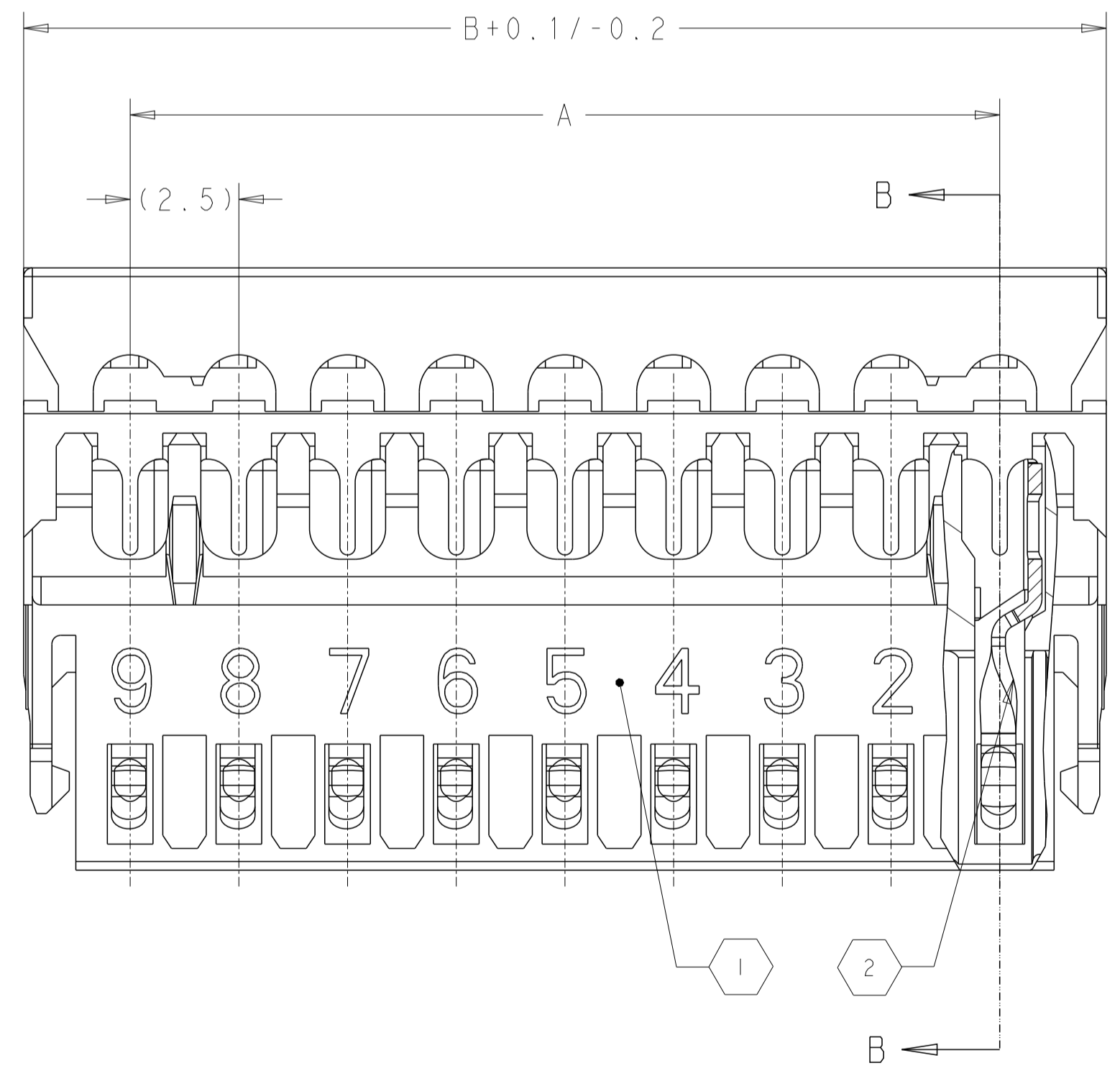
REVISIONS				
P	LTN	DESCRIPTION	DATE	APVD
B26	ECR-24-198569		31JAN2024	SM FL
B27	ECR-24-199323		05FEB2024	SP FL
B28	ECR-24-220161		10SEP2024	TL FL
B29	ECR-24-221724		25SEP2024	TL FL



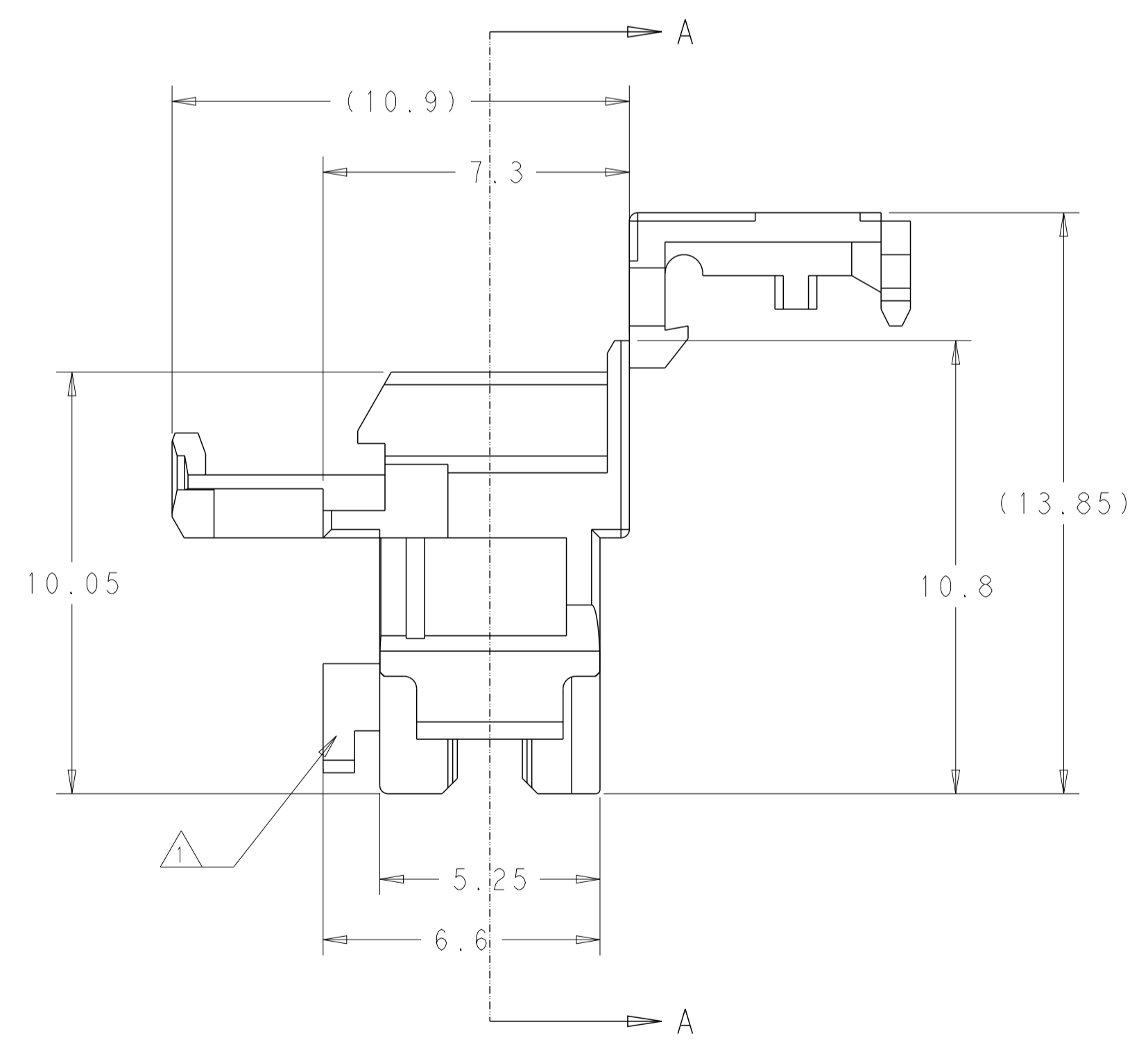
- 1 STRIPE IN YELLOW COLOR WHERE SHOWN PRESENT ON THE PARTS PRODUCED IN TE COLLEGNO ONLY
- 2 PNs WITHOUT THE INTERNAL WALL NEED ASSISTANT GUIDE DURING THE APPLICATION SUCH AS RAST TAB HEADER
- 3 PRELIMINARY PART NOT RELEASED FOR PRODUCTION
- 4 CAVITY NO.
- 5 KEYING, BETWEEN POSITION
- 6 COLOR MARKING IN THIS AREA.
- 7 SLOT FOR KEYING BETWEEN POSITION
- 8 COLOR STRIP ON COVER OF HOUSING. NOT THE COLOR OF HOUSING
- 9 TE LOGO
- 10 INCLUSIVE COPPER LOADING
- 11 PCB PREFERABLY CHAMFERED
- 12 WIRE RANGE: 0.22-0.35mm<sup>2</sup> SEE APPLICATION SPEC. 114-18467-1
- 13 IEC60695-2-11 / IEC60335-1 GLOW WIRE TEST 750 °C WITHOUT FLAME
- 14 MATING PART: PCB (WITH FRAMES ACC. RAST 2.5 E.G. PN 964 575/576) TABHEADER PN 1971 817/921
- 15 KEYING RIBS; CUTTING WITH TERMINATION MACHINE POSSIBLE



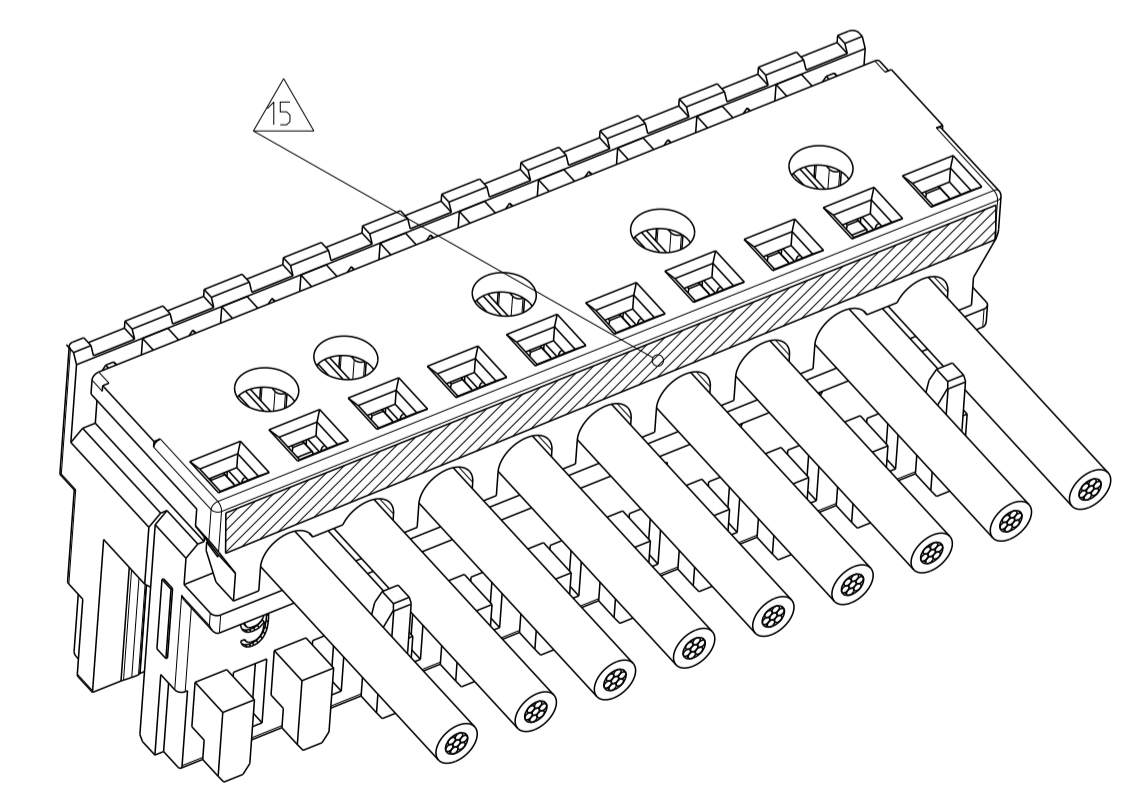
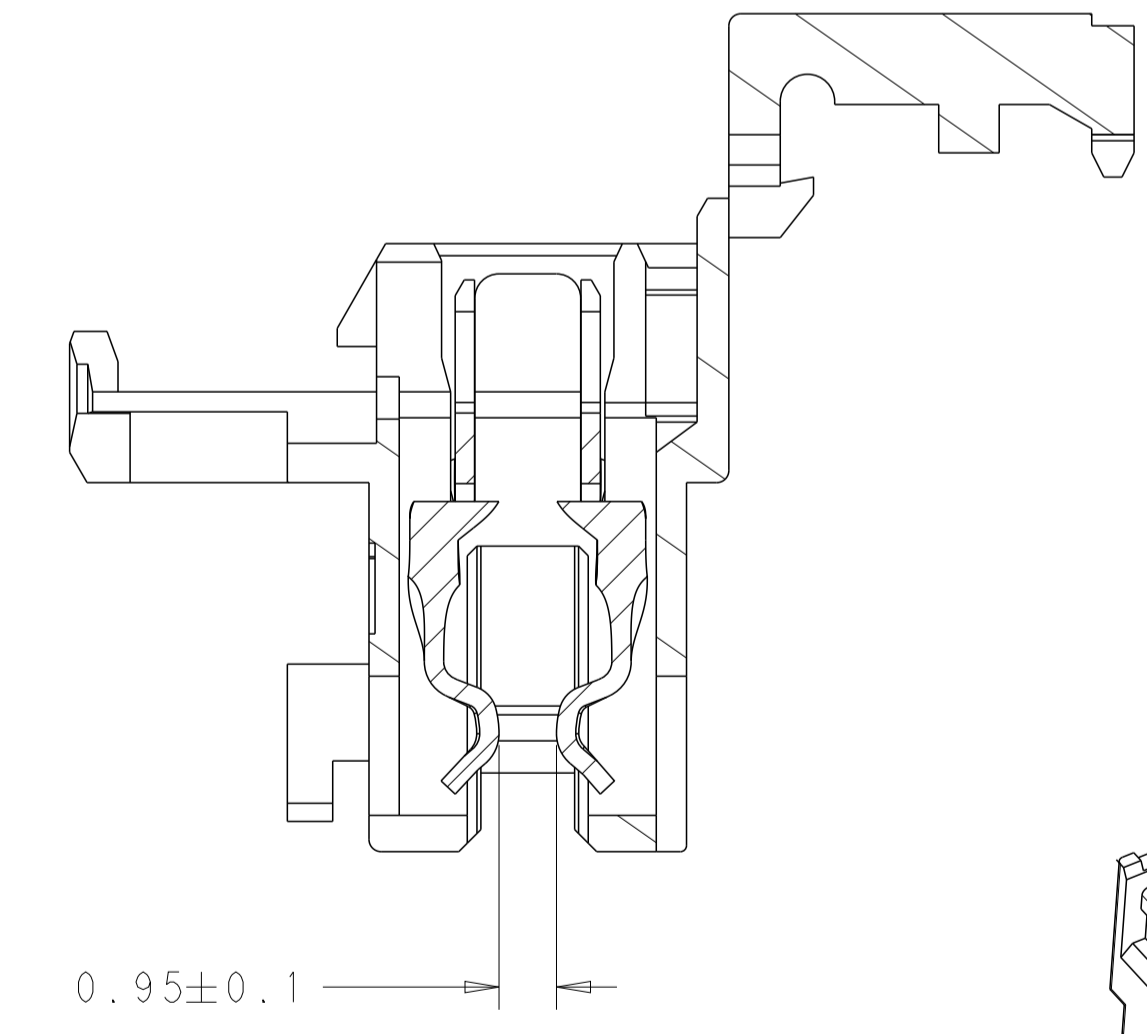
PCB LAYOUT - SOLDERING SIDE



SECTION A-A



SECTION B-B




THIS DRAWING IS A CONTROLLED DOCUMENT.		OWN Winter Wang 25-Sep-24	TE Connectivity	
DIMENSIONS: mm		CHK Daniel Zhong 15-Mar-17	DUOPLUG MARK II SIDE LOCKING	
TOLERANCES UNLESS OTHERWISE SPECIFIED:		APVD Riccardo Robore 15-Mar-17	NAME	
0 PLC ±0.2	1 PLC ±0.2	PRODUCT SPEC	-	
2 PLC ±0.2	3 PLC ±0.2	APPLICATION SPEC	108-18785-1	
4 PLC ±0.2	ANGLES ±0.2	FINISH	114-18467-1	
MATERIAL		WEIGHT	SIZE CAGE CODE DRAWING NO	
-		-	A1 C=2306286	
SL NO		CUSTOMER DRAWING		RESTRICTED TO
PN		SCALE 8:1		SHEET 1 OF 2
DESCRIPTION		REVISION		B29
MATERIAL		-		-
CONTACT CuSn		-		-
HOUSING PA 3		-		-

REVISIONS				
P.	LTN	DESCRIPTION	DATE	APPV
-	-	SEE SHEET 1	-	-

GWEPT 750°C NO FLAME & UL94-VO, SILVER PLATED VERSION																		
-	X	X	X	X	X	X	X	X	X	X	9	20.0	24.9	23.5	20.0	3.75	2/3	1-2369990-9
Red								X	X	X	4	7.5	12.4	11.0	7.5	6.25	3/4	1-2369990-4
Color Code	10	9	8	7	6	5	4	3	2	1	POS.	A	B	C	D	E	KEYING	PN Bestell-Nr.
CAVITIES LOADED																		

PA GF, GWEPT 750°C NO FLAME & UL94-VO, TIN PLATED VERSION																		
-	X	0	X	X	0	X	0	X	0	X	10	22.5	27.4	26	22.5	6.25	3/4	1-2306287-0
-	X	X	X	X	X	X	X	X	X	X						3.75	-	2-2306286-0
-	X	X	X	X	X	X	X	X	X	X						3.75	2/3	1-2306286-0
-	X	X	X	X	X	X	X	X	X	X						2/3	2/3	1-2306286-9
Black	X	X	X	X	X	X	X	X	X	X						2/3	2/3	2306286-9
Orange	X	X	0	X	0	X	X	0	X		9	20	24.9	23.5	20	3.75	2/3	4-2306287-9
-	X	0	X	0	X	0	X	0	X							2/3	2/3	3-2306287-9
-	X	0	X	X	0	X	0	X	X							2/3	2/3	2-2306287-9
-	X	X	0	X	0	X	0	X	X							-	-	1-2306287-9
Green	X	0	X	X	0	X	0	X	X							3.75	2/3	2306287-9
Brown		X	0	X	0	X	X	X	X		8	17.5	22.4	21	17.5	3.75	2/3	2-2306287-8
Blue		X	X	X	0	X	X	0	X							3.75	2/3	1-2306287-8
-		X	0	X	0	X	X	X	X							3.75	2/3	2306287-8
Black		X	X	X	X	X	X	X	X							3.75	2/3	2-2306286-8
-		X	X	X	X	X	X	X	X							11.25	5/6	1-2306286-8
-		X	X	X	X	X	X	X	X							3.75	2/3	2306286-8
		X	0	X	0	X	0	X								11.25	5/6	3-2306287-7
Black		X	0	X	0	X	0	X								8.75	4/5	2-2306287-7
-		X	0	X	0	X	0	X			7	15	19.9	18.5	15	3.75	2/3	1-2306287-7
Blue		X	0	X	0	X	0	X								2/3	2/3	2306287-7
		X	X	X	X	X	X	X								11.25	5/6	2-2306286-7
-		X	X	X	X	X	X	X								3.75	2/3	1-2306286-7
Black		X	X	X	X	X	X	X								2/3	2/3	2306286-7
Black		X	X	X	X	X	X	X								3.75	2/3	5-2306286-6
RED		X	X	X	X	X	X	X								8.75	4/5	4-2306286-6
-		X	X	X	X	X	X	X								6.25	3/4	3-2306286-6
-		X	X	X	X	X	X	X								3.75	2/3	1-2306286-6
-		X	X	X	X	X	X	X			6	12.5	17.4	16	12.5	1.25	1/2	2306286-6
-		X	0	X	X	0	X								3.75	2/3	4-2306287-6	
-		X	X	0	X	0	X								8.75	4/5	3-2306287-6	
-		X	0	X	X	0	X								4/5	4/5	2-2306287-6	
-		X	0	X	X	0	X								3.75	2/3	1-2306287-6	
Black		X	0	X	X	0	X								3.75	2/3	2306287-6	
-		X	0	X	0	X										3.75	2/3	2-2306287-5
-		X	X	X	0	X										6.25	3/4	1-2306287-5
Blue		X	X	X	0	X										6.25	3/4	2306287-5
Grey		X	X	X	X	X										1.25	1/2	6-2306286-5
-		X	X	X	X	X										1.25	1/2	5-2306286-5
-		X	X	X	X	X										6.25	3/4	4-2306286-5
-		X	X	X	X	X										3.75	2/3	3-2306286-5
Green		X	X	X	X	X										1.25	1/2	2-2306286-5
Red		X	X	X	X	X										6.25	3/4	1-2306286-5
Black		X	X	X	X	X										3.75	2/3	2306286-5
-		X	X	X	X	X										6.25	3/4	3-2306286-4
-		X	X	X	X	X										1.25	1/2	2-2306286-4
Red		X	X	X	X	X					4	7.5	12.4	11	7.5	6.25	3/4	1-2306286-4
Black		X	X	X	X	X										1.25	1/2	2306286-4
-		X	0	X		X										1.25	1/2	3-2306287-3
-		X	0	X		X										3.75	2/3	2-2306287-3
Green		X	0	X		X										1.25	1/2	1-2306287-3
Blue		X	0	X		X										3.75	2/3	2306287-3
-		X	X	X		X										3.75	2/3	3-2306286-3
-		X	X	X		X										1.25	1/2	2-2306286-3
Black		X	X	X		X										3.75	2/3	1-2306286-3
Red		X	X	X		X										1.25	1/2	2306286-3
Color Code	10	9	8	7	6	5	4	3	2	1	POS.	A	B	C	D	E	KEYING	PN Bestell-Nr.
CAVITIES LOADED																		

THIS DRAWING IS A CONTROLLED DOCUMENT.		DWG: Winter Wang 25-Sep-24 CHK: Daniel Zhong 15-Mar-17 APVD: Riccardo Robore 15-Mar-17	 TE Connectivity		
DIMENSIONS:	TOLERANCES UNLESS OTHERWISE SPECIFIED:	NAME	DUOPLUG MARK 11 SIDE LOCKING		
mm	0 PLC ±0.2 1 PLC ±0.2 2 PLC ±0.2 3 PLC ±0.2 4 PLC ±0.2 ANGLES ±0.2	PRODUCT SPEC	108-18785-1		
		APPLICATION SPEC	114-18467-1		
MATERIAL	FINISH	WEIGHT	SIZE	CAGE CODE	DRAWING NO
			A1	C=2306286	RESTRICTED TO
CUSTOMER DRAWING		SCALE	8:1	SHEET	2 OF 2
		REV	B29		