

4

3

2

1

THIS DRAWING IS UNPUBLISHED.

RELEASED FOR PUBLICATION

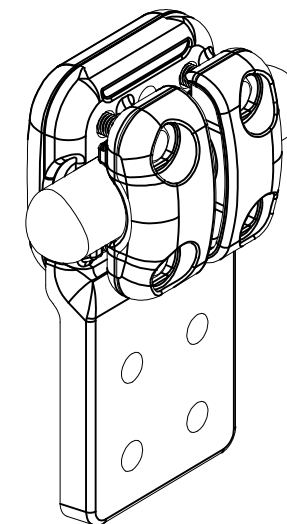
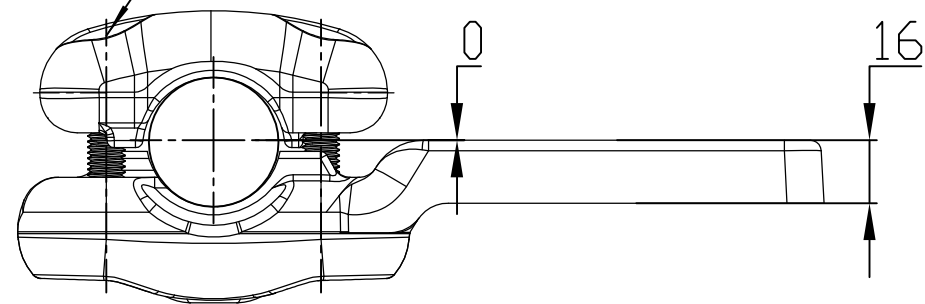
ALL RIGHTS RESERVED.

© COPYRIGHT - By -

REVISIONS

P	LTR	DESCRIPTION	DATE	DWN	APVD
1		CREATION	21AUG16	TC	-

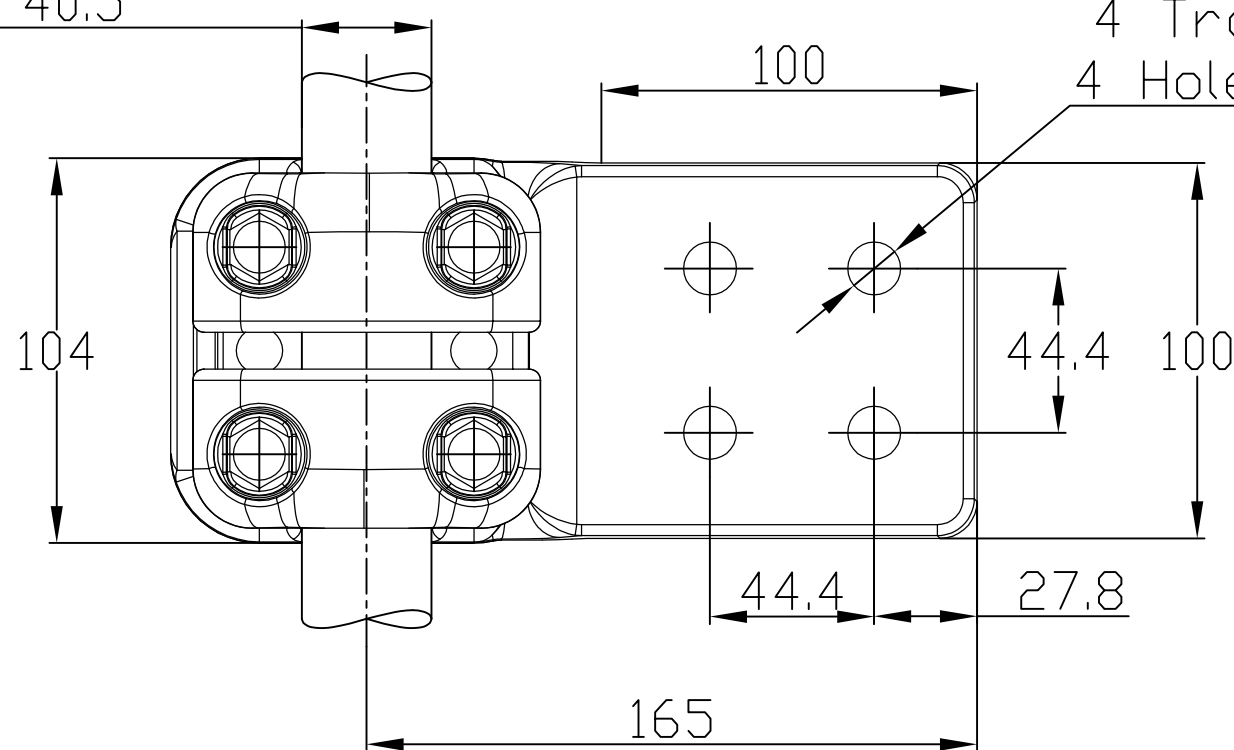
M10 Stainless steel bolts : 37Nm  
 Boulons M10 Acier inoxydable : 37Nm



No scale  
 Sans échelle

Cable Ø38.6 à 40.5  
 Cable 38.6DIA to 40.5

4 Trous Ø14.3  
 4 Holes 14.3DIA



THIS DRAWING IS A CONTROLLED DOCUMENT.		DWN CHARTON	21AUG2016	<b>STE</b> TE Connectivity	
DIMENSIONS: mm		CHK -	APVD -		
TOLERANCES UNLESS OTHERWISE SPECIFIED:		PRODUCT SPEC 108-69096-001		NAME CONDUCTOR CONNECTOR TO FLAG PAD RACCORD POUR CABLE SUR PLAGE DRAPEAU 5 PF 82 M405 100 C290	
MATERIAL		APPLICATION SPEC -		SIZE A3	CAGE CODE 00779
FINISH		WEIGHT 1.5 kg		DRAWING NO C=2306934	RESTRICTED TO -
-		CUSTOMER DRAWING		SCALE 1:2	SHEET 1 of 1
				REV 1	

ITEM:.....