

THIS DRAWING IS UNPUBLISHED.

RELEASED FOR PUBLICATION

-. - .

© COPYRIGHT - By -

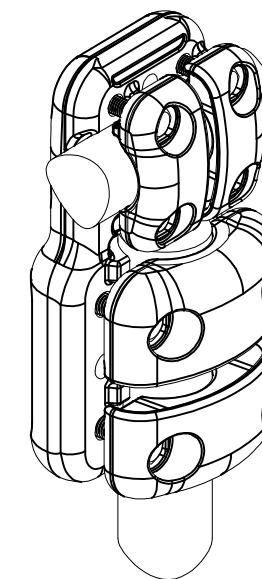
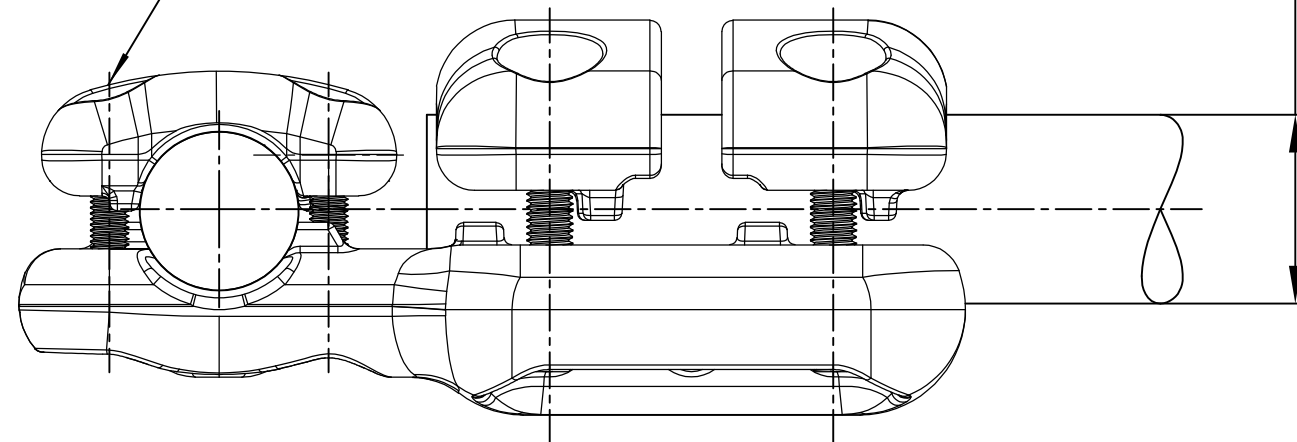
ALL RIGHTS RESERVED.

REVISIONS

P	LTR	DESCRIPTION	DATE	DWN	APVD
	A	CREATION	21AUG16	TC	-

M10 Stainless steel bolts : 37Nm
 Boulons M10 Acier inoxydable : 37Nm

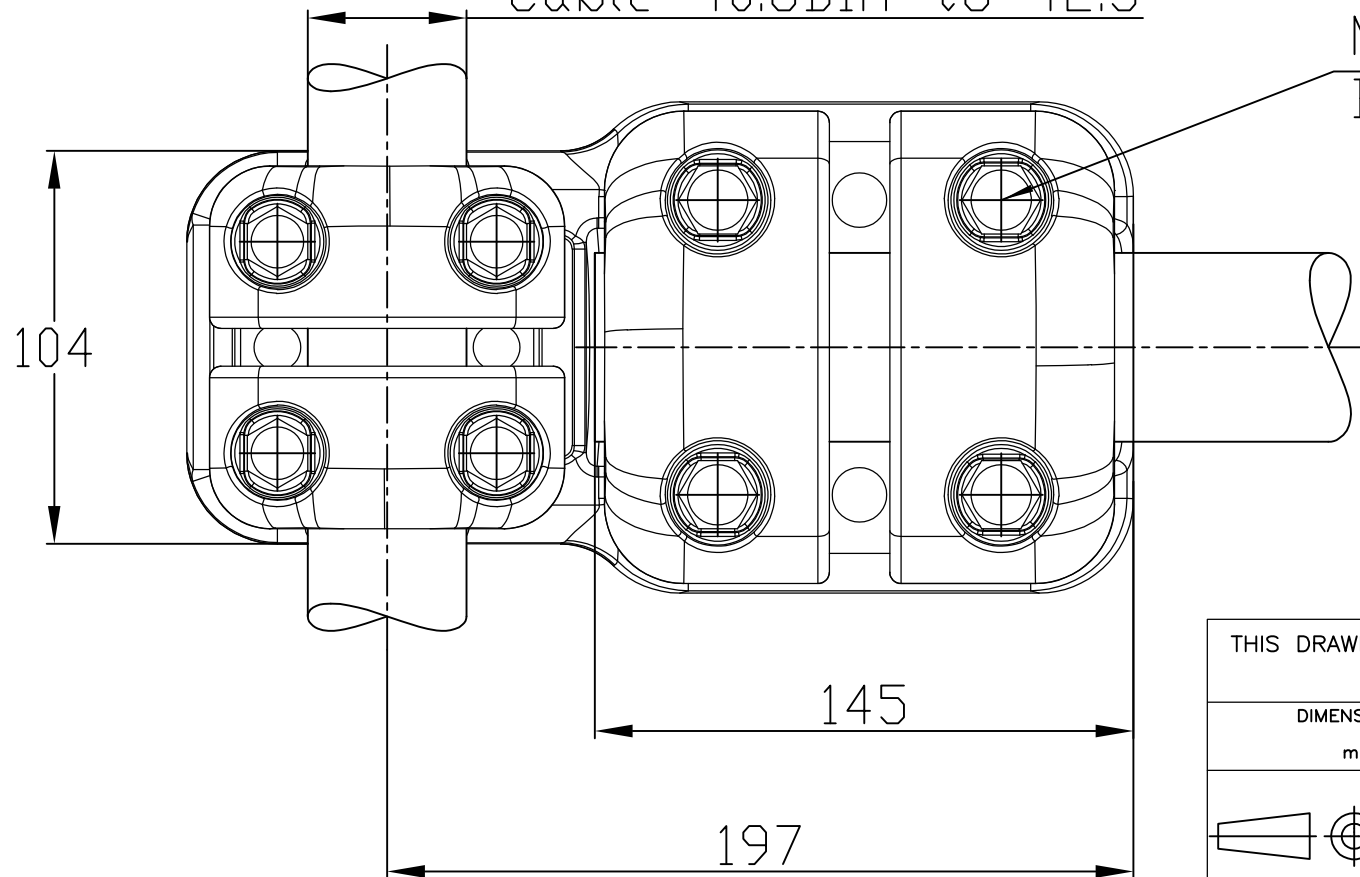
Cable Ø48.6 à 50.5
 Cable 48.6DIA to 50.5




No scale
 Sans échelle

Cable Ø40.6 à 42.5
 Cable 40.6DIA to 42.5

M12 Stainless steel bolts : 60Nm
 Boulons M12 Acier inoxydable : 60Nm



ITEM:.....

THIS DRAWING IS A CONTROLLED DOCUMENT.		DWN	21AUG2016		 TE Connectivity					
DIMENSIONS: mm		CHK	-			NAME DERIVATION CONDUCTOR CONNECTOR RACCORD POUR CABLE DE DERIVATION 5 CT 82 M425 L505				
TOLERANCES UNLESS OTHERWISE SPECIFIED:		APVD	-							
0 PLC ± - 1 PLC ± - 2 PLC ± - 3 PLC ± - 4 PLC ± - ANGLES ± -		PRODUCT SPEC	108-69096-001							
MATERIAL		APPLICATION SPEC	-		SIZE	CAGE CODE	DRAWING NO	RESTRICTED TO		
-		FINISH	-		WEIGHT	3.2 kg	A3 00779	©=2306937		
CUSTOMER DRAWING					SCALE	1:2	SHEET	1 OF 1	REV	A