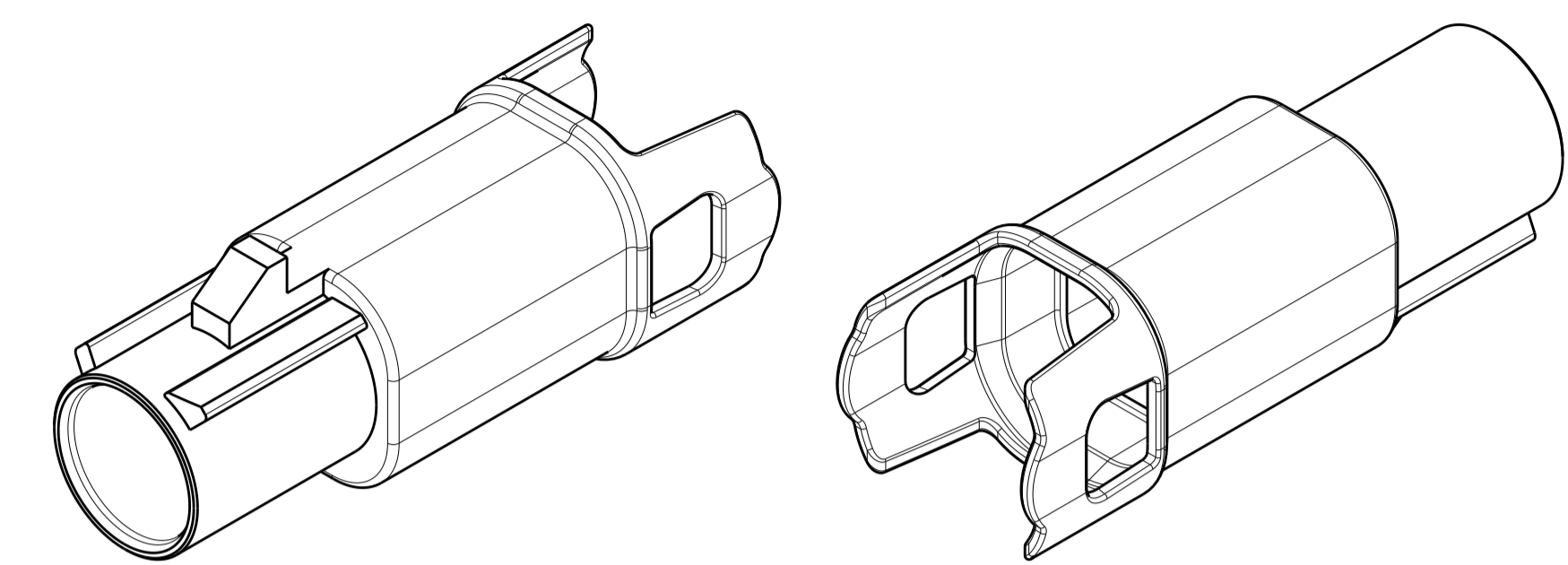
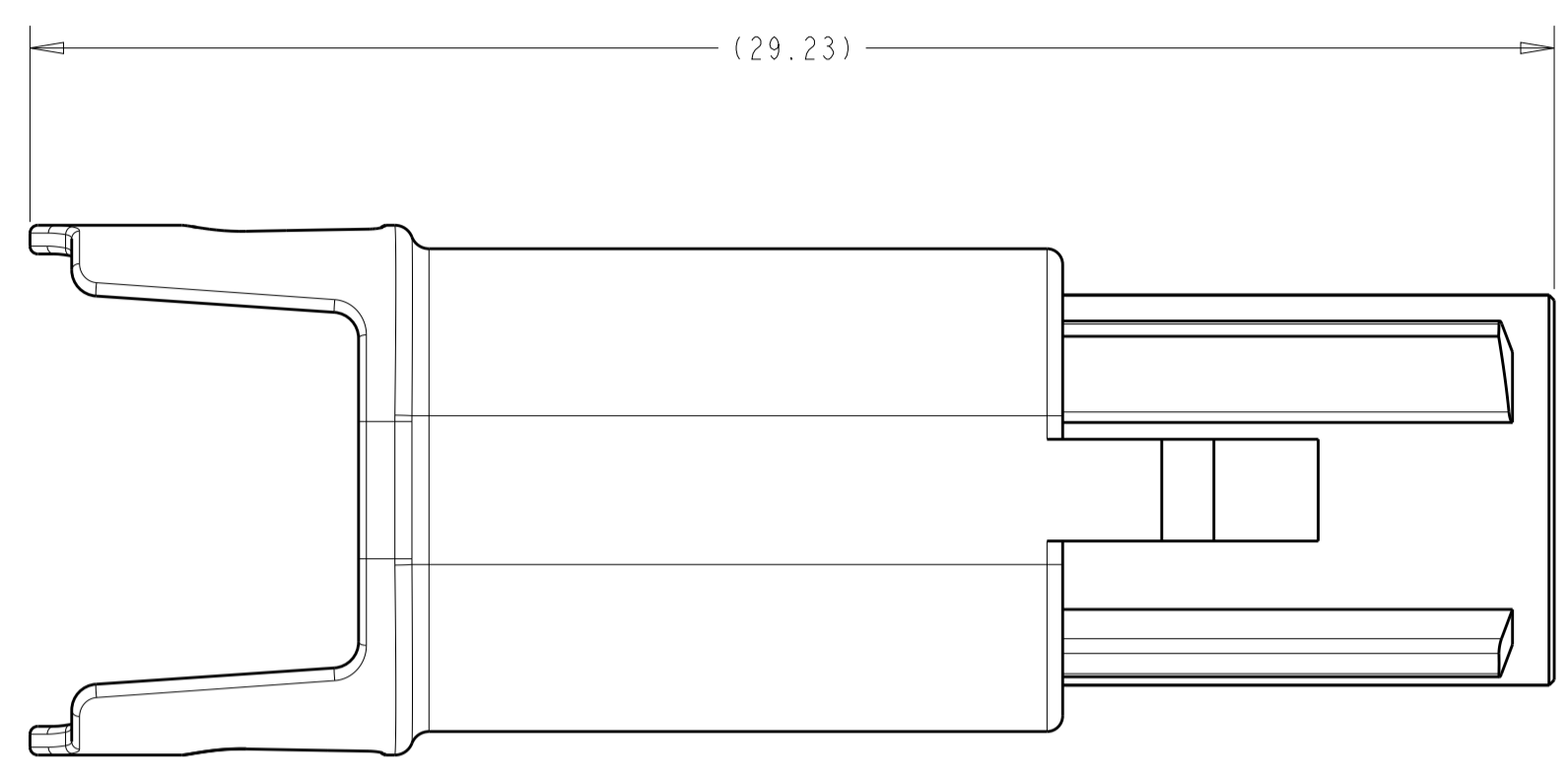
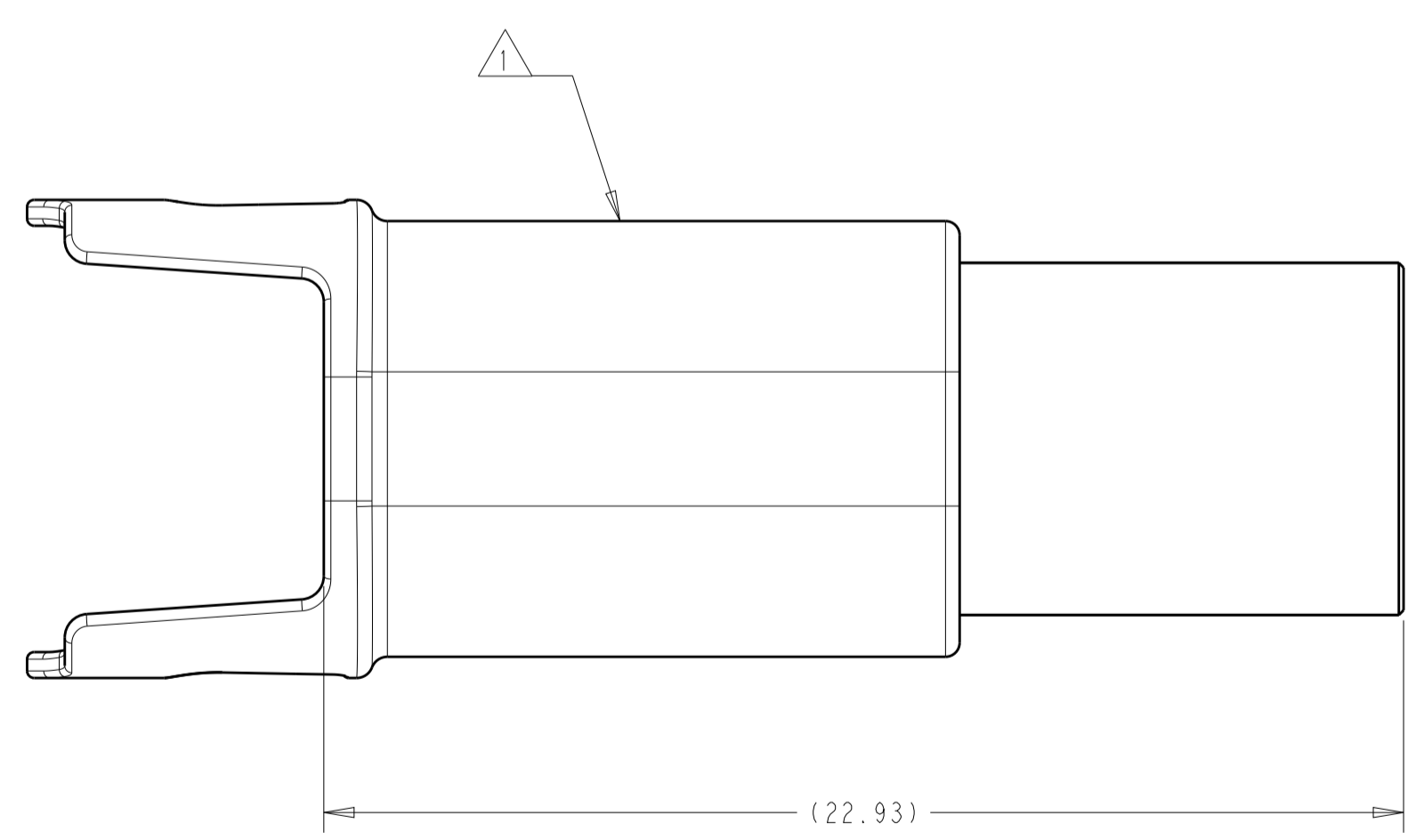
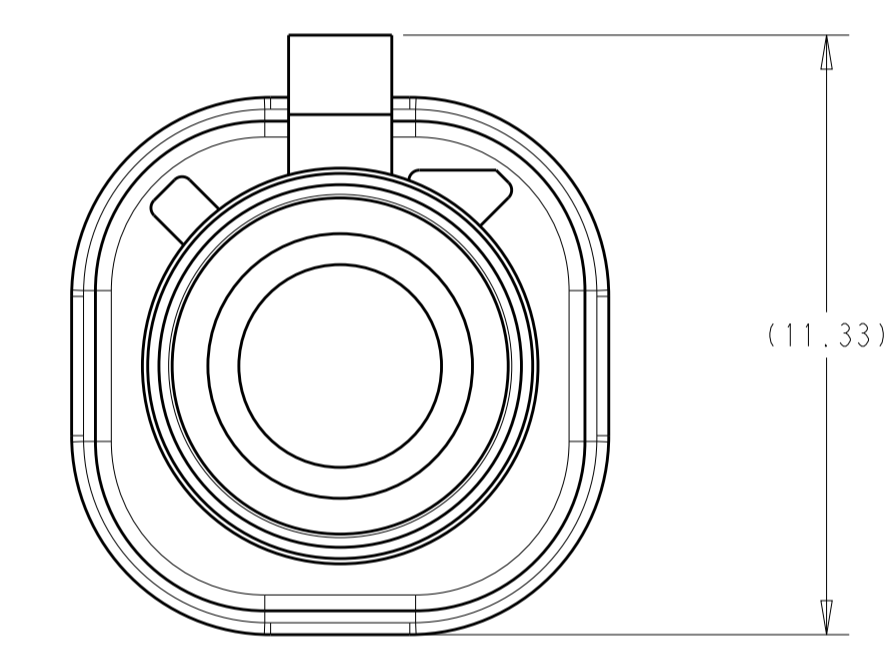
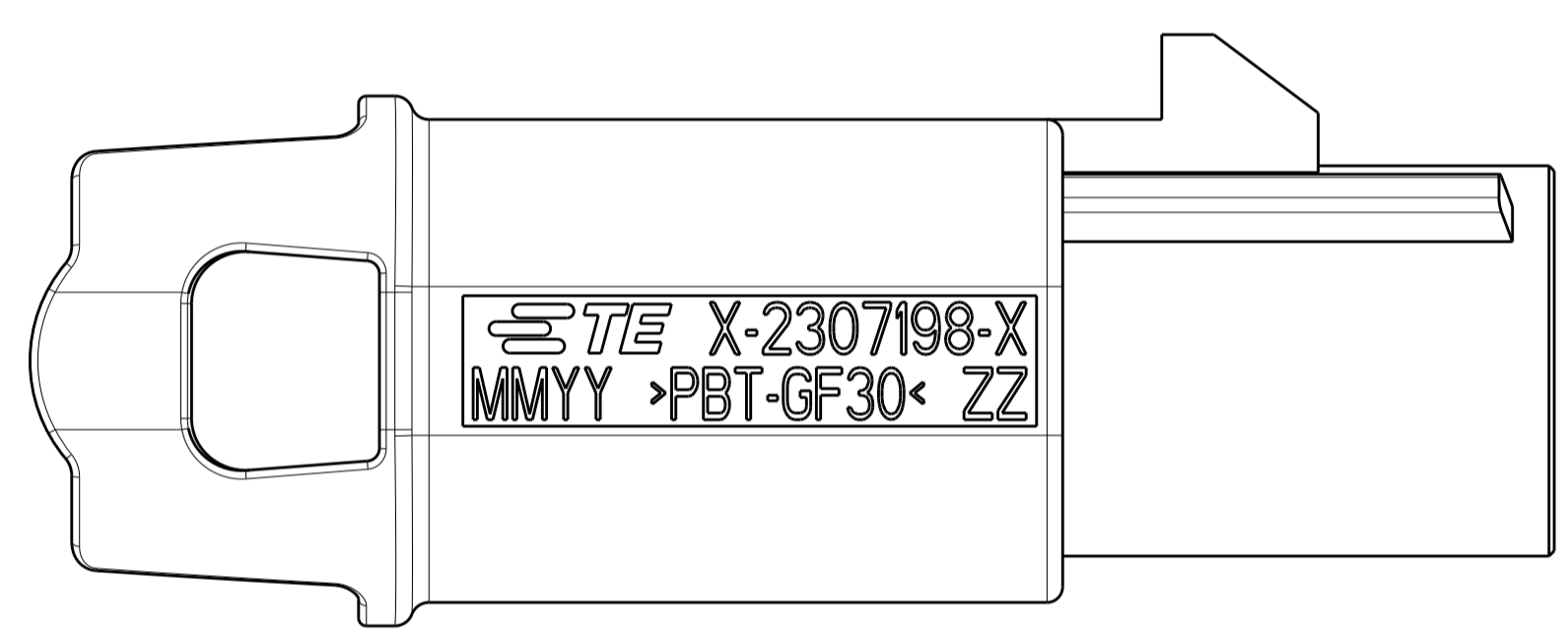
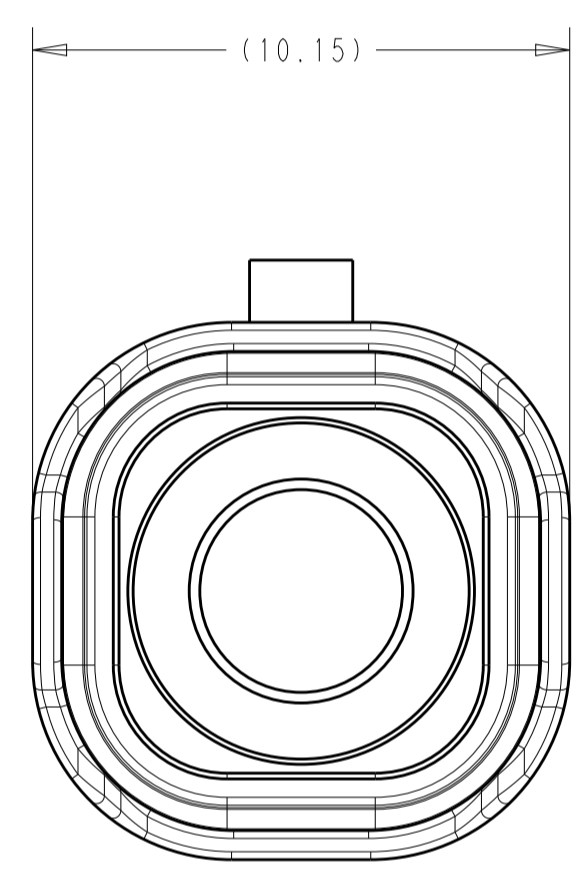


REVISIONS				
P	LTN	DESCRIPTION	DATE	APVD
A		INITIAL RELEASE	06AUG2020	CN AC



ISOMETRIC VIEWS
SCALE 4:1

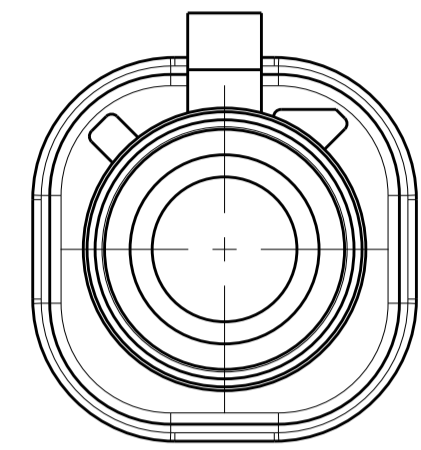


PER DETAIL Z	Z	WATER BLUE	2-2307198-0
PER DETAIL N	N	PASTEL GREEN	1-2307198-3
PER DETAIL M	M	PASTEL ORANGE	1-2307198-2
PER DETAIL L	L	CARMINE RED	1-2307198-1
PER DETAIL K	K	CURRY	1-2307198-0
PER DETAIL I	I	BEIGE	2307198-9
PER DETAIL H	H	HEATHER VIOLET	2307198-8
PER DETAIL G	G	BLUE GREY	2307198-7
PER DETAIL F	F	NUT BROWN	2307198-6
PER DETAIL E	E	LEAF GREEN	2307198-5
PER DETAIL D	D	CLARET VIOLET	2307198-4
PER DETAIL C	C	SIGNAL BLUE	2307198-3
PER DETAIL B	B	CREAM	2307198-2
PER DETAIL A	A	JET BLACK	2307198-1
KEYING	KEY CODE	COLOR	PART NUMBER

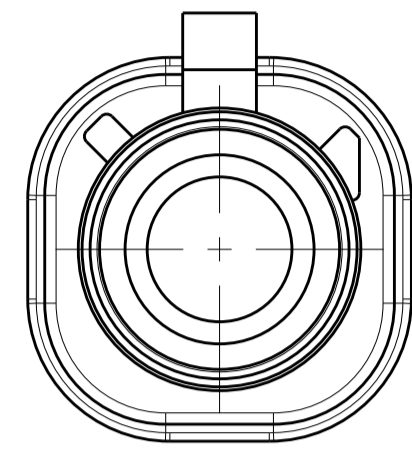
NOTES:
 △ HOUSING - POLYESTER PBT, COLOR - SEE TABLE, GLASS FILLED.

THIS DRAWING IS A CONTROLLED DOCUMENT.		DWN C. NUNEZ 06AUG2020	TE Connectivity NAME OUTER HOUSING, MALE 180 DEG, STANDARD, SEALED AUTOMATED FAKRA
DIMENSIONS:		CHK A. CHOKER 06AUG2020	
mm	TOLERANCES UNLESS OTHERWISE SPECIFIED:	APVD A. CHOKER 06AUG2020	SIZE A 00779 C=2307198
0 PLC ±	1 PLC ±	PRODUCT SPEC	RESTRICTED TO
2 PLC ±	3 PLC ±	APPLICATION SPEC	
4 PLC ±	ANGLES ±	WEIGHT	SCALE 8:1 SHEET 1 OF 2 REV A
MATERIAL	FINISH	CUSTOMER DRAWING	

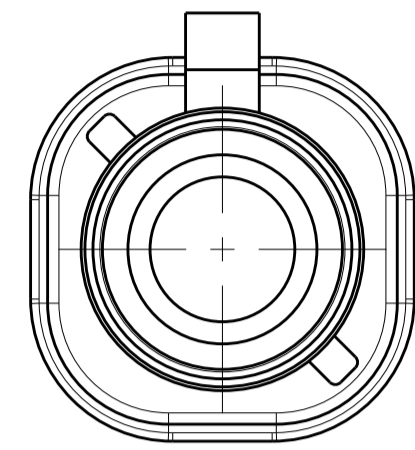
REVISIONS				
P.	LTN	DESCRIPTION	DATE	APVD
		SEE SHEET 1		



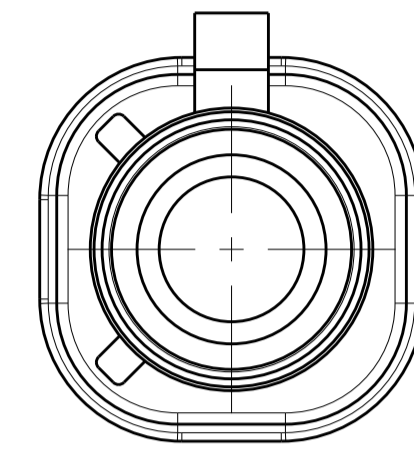
DETAIL A
SCALE 5:1



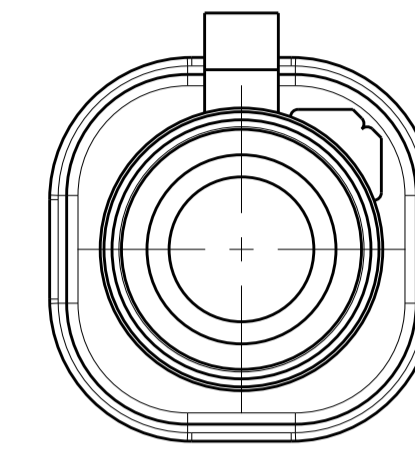
DETAIL B
SCALE 5:1



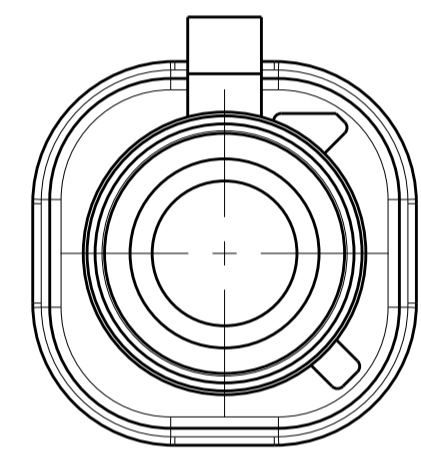
DETAIL C
SCALE 5:1



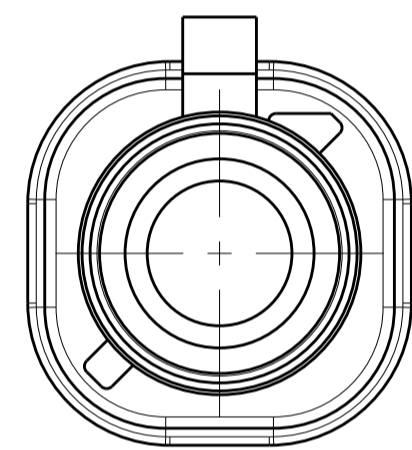
DETAIL D
SCALE 5:1



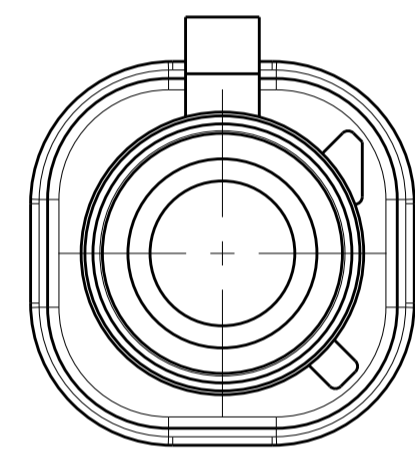
DETAIL E
SCALE 5:1



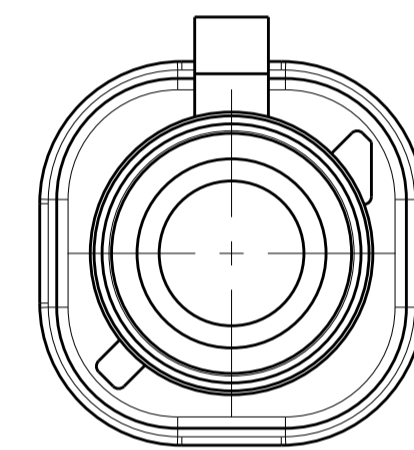
DETAIL F
SCALE 5:1



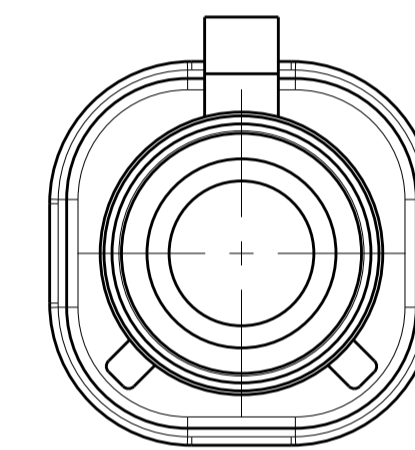
DETAIL G
SCALE 5:1



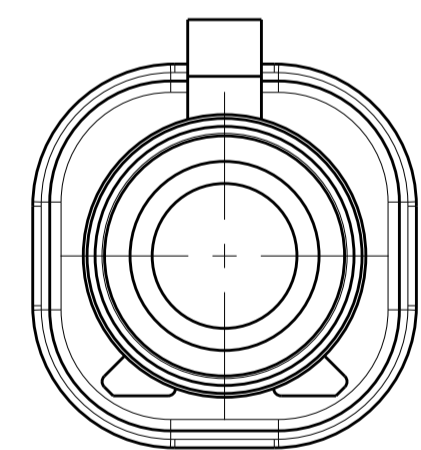
DETAIL H
SCALE 5:1



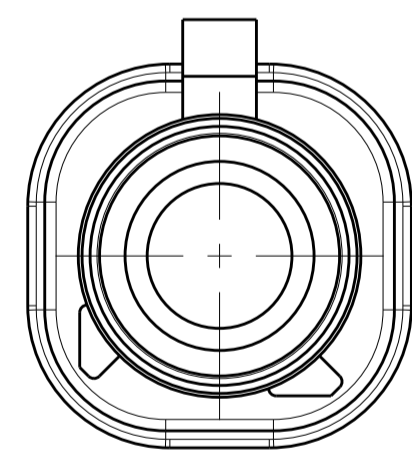
DETAIL I
SCALE 5:1



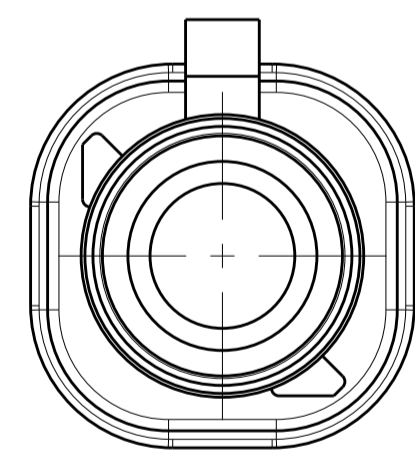
DETAIL K
SCALE 5:1



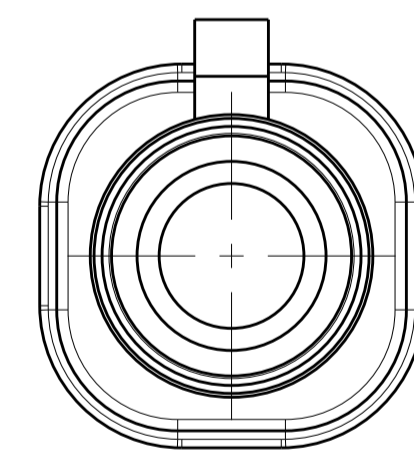
DETAIL L
SCALE 5:1



DETAIL M
SCALE 5:1



DETAIL N
SCALE 5:1



DETAIL Z
SCALE 5:1

THIS DRAWING IS A CONTROLLED DOCUMENT.		OWN C. NUNEZ 06AUG2020	
DIMENSIONS: mm		CHK A. CHHOKER 06AUG2020	
TOLERANCES UNLESS OTHERWISE SPECIFIED:		APVD A. CHHOKER 06AUG2020	NAME OUTER HOUSING, MALE 180 DEG, STANDARD, SEALED AUTOMATED FAKRA
0 PLC ±	1 PLC ±	PRODUCT SPEC	RESTRICTED TO
2 PLC ±	3 PLC ±	APPLICATION SPEC	SIZE CAGE CODE DRAWING NO
4 PLC ±	ANGLES ±	114-32145	A 00779 ©=2307198
MATERIAL	FINISH	WEIGHT	CUSTOMER DRAWING
-	-	-	SCALE 10:1 SHEET 2 OF 2 REV A