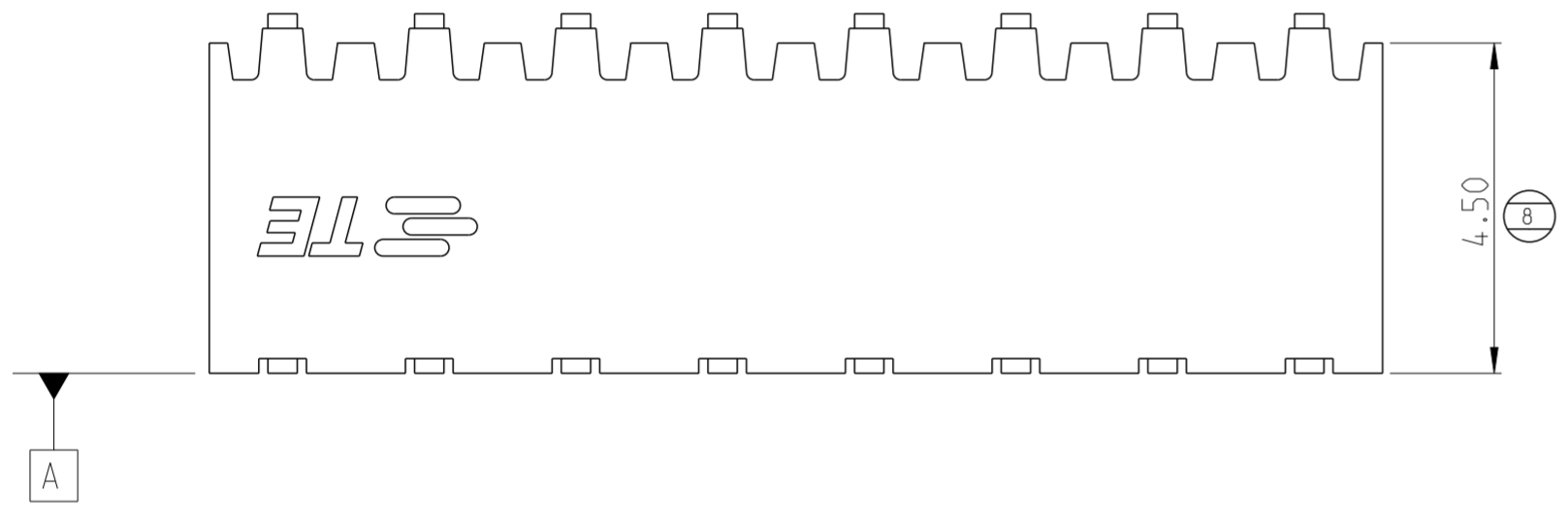
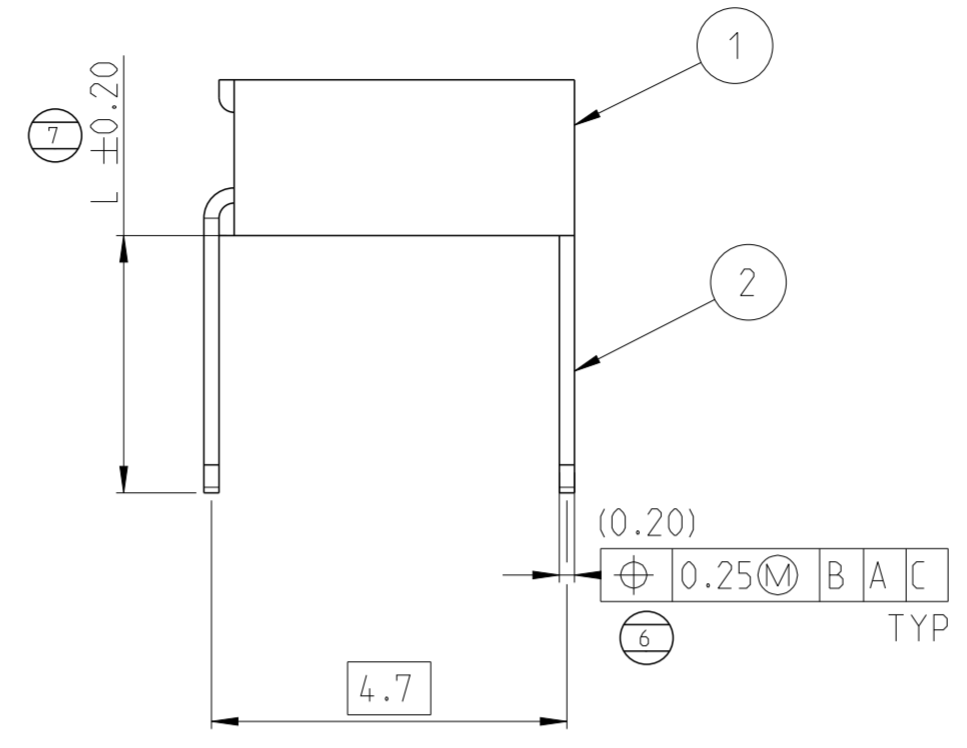
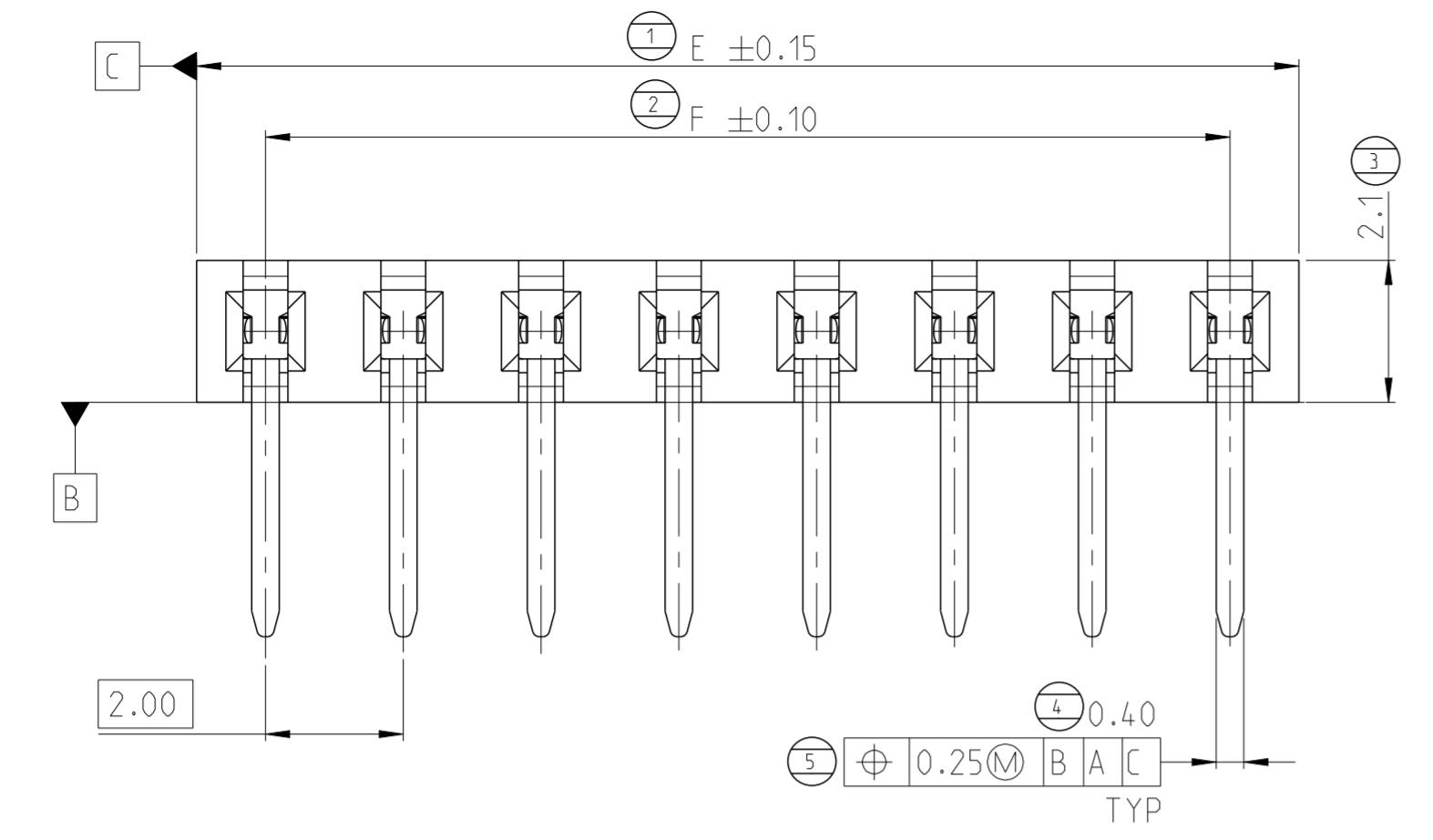


© 2021 TE Connectivity. All Rights Reserved.

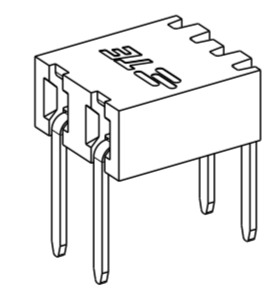
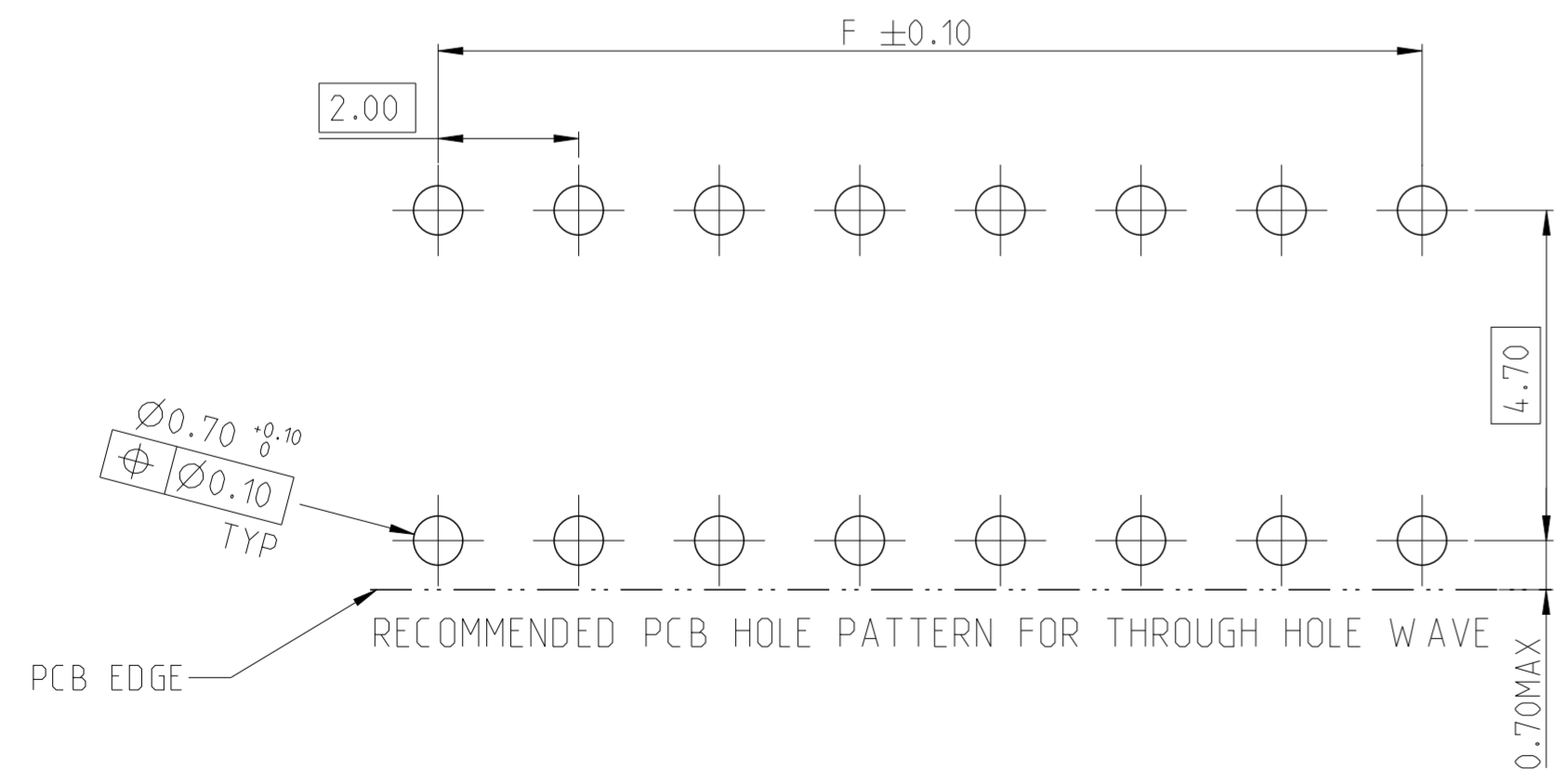
| REVISIONS |     |                        |           |     |      |
|-----------|-----|------------------------|-----------|-----|------|
| P         | LTR | DESCRIPTION            | DATE      | DWN | APVD |
| A2        |     | ECR-21-115824          | 05OCT2021 | SCB | AY   |
| A3        |     | SMART PN DETAILS ADDED | 21MAR2022 | SCB | PS   |
|           |     |                        |           |     |      |



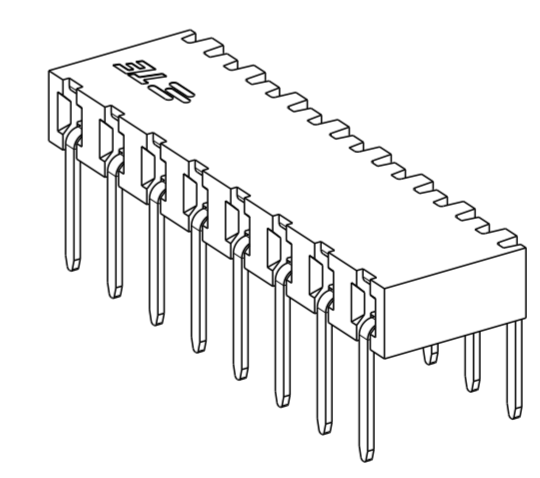
|             |      |
|-------------|------|
| CONTACT     | 2    |
| HOUSING     | 1    |
| DESCRIPTION | ITEM |

NOTES:

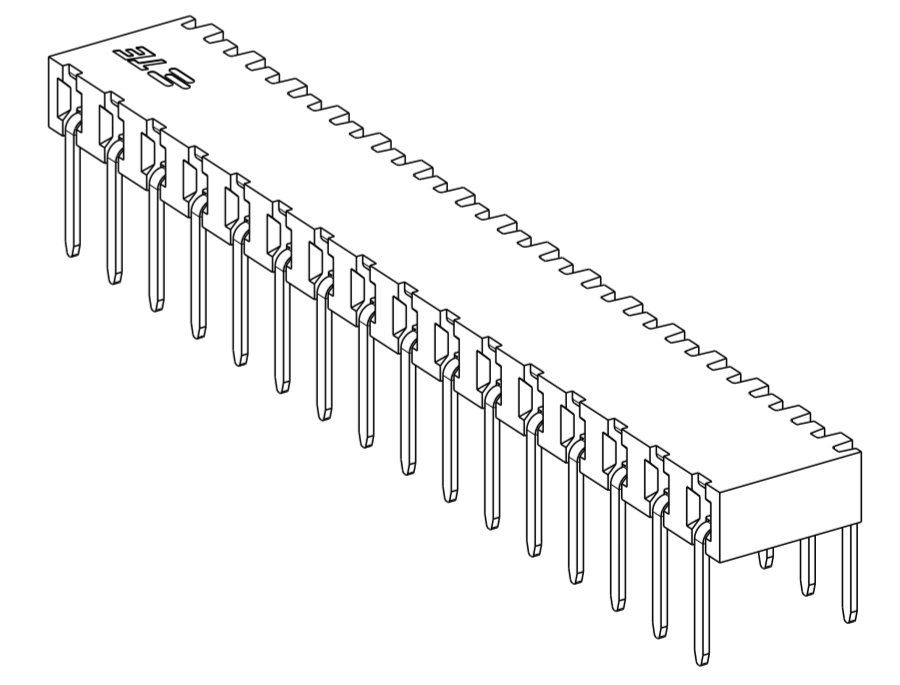
- 1 MATERIAL:  
HOUSING: LCP, UL94 V0, BLACK  
CONTACT: PHOSPHOR BRONZE, 0.20mm THICK.
- 2 ALL OVER 3-5µm TIN OVER MIN 1.27µm NICKEL UNDERPLATE
- 3 CONTACT AREA: MIN 0.1µm GOLD  
SOLDER TAIL: 3-5µm TIN  
UNDERPLATING: MIN 1.27µm NICKEL ALL OVER
- 4 CONTACT AREA: MIN 0.38µm GOLD  
SOLDER TAIL: 3-5µm TIN  
UNDERPLATING: MIN 1.27µm NICKEL ALL OVER
- 5 CONTACT AREA: MIN 0.76µm GOLD  
SOLDER TAIL: 3-5µm TIN  
UNDERPLATING: MIN 1.27µm NICKEL ALL OVER
- 6 N = NO. OF POSITIONS PER CONNECTOR.



2MM-R-S02-HT-01-T-TR AS SHOWN



2MM-R-S08-HT-01-T-TR AS SHOWN



2MM-R-S16-HT-01-T-TR AS SHOWN

|  |  |                                |   |                      |
|--|--|--------------------------------|---|----------------------|
| THIS DRAWING IS A CONTROLLED DOCUMENT. |  | DWN 23NOV2017<br>SOURAV DAS    |   |                      |
| DIMENSIONS: mm                         |  | CHK 19JULY2018<br>SHARATH S    |   |                      |
| TOLERANCES UNLESS OTHERWISE SPECIFIED: |  | APVD 19JULY2018<br>PRASHANTH S | NAME AMPMODU 2mm, BtB RECEPTACLE, SINGLE ROW, HORIZONTAL TH/THR |                      |
| 0 PLC ±                                |  | PRODUCT SPEC 108-64040         | SIZE A2   |                      |
| 1 PLC ±0.2                             |  | APPLICATION SPEC 114-32186     | CAGE CODE 00779   | DRAWING NO C-2307700 |
| 2 PLC ±0.1                             |  | WEIGHT -                       | RESTRICTED TO -   |                      |
| 3 PLC ±                                |  | CUSTOMER DRAWING               | SCALE 10:1  | SHEET 1 OF 2         |
| 4 PLC ±                                |  |                                |   | REV A3               |
| ANGLES ±2°                             |  |                                |   |                      |
| FINISH SEE NOTES                       |  |                                |   |                      |

REVISIONS

| P | LTR | DESCRIPTION | DATE | DWN | APVD |
|---|-----|-------------|------|-----|------|
| - | -   | SEE SHEET 1 | -    | -   | -    |

| MATING SIDE PLATING (FINISH)        | "L" SOLDER TAIL LENGTH | BTB RECEPTACLE BASE NUMBERS |                      |
|-------------------------------------|------------------------|-----------------------------|----------------------|
|                                     |                        | TAPE & REEL PKG W/O CAP     | TUBE PKG W/O CAP     |
| TIN<br>△ <sub>2</sub>               | 2.1                    | 2MM-R-S__-HT-01-T-TR        | 2MM-R-S__-HT-01-T-TB |
|                                     | 2.8                    | 2MM-R-S__-HT-02-T-TR        | 2MM-R-S__-HT-02-T-TB |
|                                     | 3.4                    | A/R                         | 2MM-R-S__-HT-03-T-TB |
| GOLD FLASH 0.1 μm<br>△ <sub>3</sub> | 2.1                    | 2MM-R-S__-HT-01-F-TR        | 2MM-R-S__-HT-01-F-TB |
|                                     | 2.8                    | 2MM-R-S__-HT-02-F-TR        | 2MM-R-S__-HT-02-F-TB |
|                                     | 3.4                    | A/R                         | 2MM-R-S__-HT-03-F-TB |
| GOLD 0.38 μm<br>△ <sub>4</sub>      | 2.1                    | 2MM-R-S__-HT-01-M-TR        | 2MM-R-S__-HT-01-M-TB |
|                                     | 2.8                    | 2MM-R-S__-HT-02-M-TR        | 2MM-R-S__-HT-02-M-TB |
|                                     | 3.4                    | A/R                         | 2MM-R-S__-HT-03-M-TB |
| GOLD 0.76 μm<br>△ <sub>5</sub>      | 2.1                    | 2MM-R-S__-HT-01-H-TR        | 2MM-R-S__-HT-01-H-TB |
|                                     | 2.8                    | 2MM-R-S__-HT-02-H-TR        | 2MM-R-S__-HT-02-H-TB |
|                                     | 3.4                    | A/R                         | 2MM-R-S__-HT-03-H-TB |

\* A/R- AVAILABLE ON REQUEST

SMART PART NUMBER  
2MM - R - S\_\_ - HT - \_\_ - \_\_ - \_\_

PRODUCT SERIES

2MM AMPMODU 2mm SERIES

PACKAGING

|    |                              |
|----|------------------------------|
| TR | TAPE AND REELING WITHOUT CAP |
| TB | TUBE WITHOUT CAP             |

GENDER / TYPE

R RECEPTACLE

PLATING

|   |            |
|---|------------|
| T | TIN        |
| F | GOLD FLASH |
| M | 15 μm GOLD |
| H | 30 μm GOLD |

NUMBER OF ROWS

S SINGLE ROW

TAIL LENGTH

|    |        |
|----|--------|
| 01 | 2.1 mm |
| 02 | 2.8 mm |
| 03 | 3.4 mm |

NUMBER OF PINS PER ROW

XX 02 THROUGH 25 (ENTER TWO DIGITS)

ORIENTATION & TERMINATION

HT HORIZONTAL (RIGHT ANGLE) THROUGH HOLE

|         |         |    |                      |
|---------|---------|----|----------------------|
| 48      | 50      | 25 | 2MM-R-S25-HT-01-T-TR |
| 46      | 48      | 24 | 2MM-R-S24-HT-01-T-TR |
| 44      | 46      | 23 | 2MM-R-S23-HT-01-T-TR |
| 42      | 44      | 22 | 2MM-R-S22-HT-01-T-TR |
| 40      | 42      | 21 | 2MM-R-S21-HT-01-T-TR |
| 38      | 40      | 20 | 2MM-R-S20-HT-01-T-TR |
| 36      | 38      | 19 | 2MM-R-S19-HT-01-T-TR |
| 34      | 36      | 18 | 2MM-R-S18-HT-01-T-TR |
| 32      | 34      | 17 | 2MM-R-S17-HT-01-T-TR |
| 30      | 32      | 16 | 2MM-R-S16-HT-01-T-TR |
| 28      | 30      | 15 | 2MM-R-S15-HT-01-T-TR |
| 26      | 28      | 14 | 2MM-R-S14-HT-01-T-TR |
| 24      | 26      | 13 | 2MM-R-S13-HT-01-T-TR |
| 22      | 24      | 12 | 2MM-R-S12-HT-01-T-TR |
| 20      | 22      | 11 | 2MM-R-S11-HT-01-T-TR |
| 18      | 20      | 10 | 2MM-R-S10-HT-01-T-TR |
| 16      | 18      | 9  | 2MM-R-S09-HT-01-T-TR |
| 14      | 16      | 8  | 2MM-R-S08-HT-01-T-TR |
| 12      | 14      | 7  | 2MM-R-S07-HT-01-T-TR |
| 10      | 12      | 6  | 2MM-R-S06-HT-01-T-TR |
| 8       | 10      | 5  | 2MM-R-S05-HT-01-T-TR |
| 6       | 8       | 4  | 2MM-R-S04-HT-01-T-TR |
| 4       | 6       | 3  | 2MM-R-S03-HT-01-T-TR |
| 2       | 4       | 2  | 2MM-R-S02-HT-01-T-TR |
| DIM "F" | DIM "E" | N  | SMART PN             |

SMART PN EXAMPLES:

- 2MM-R-S02-HT-01-T-TR : AMPMODU 2mm, RECEPTACLE, SINGLE ROW, 02 POSITION PER ROW, HORIZONTAL (RIGHT ANGLE) THROUGH HOLE, 2.1 mm TAIL LENGTH, TIN PLATED, TAPE AND REEL PACKAGING WITH CAP
- 2MM-R-S25-HT-03-H-TB : AMPMODU 2mm, RECEPTACLE, SINGLE ROW, 25 POSITION PER ROW, HORIZONTAL (RIGHT ANGLE) THROUGH HOLE, 3.4 mm TAIL LENGTH, 30 μm GOLD PLATED, TUBE PACKAGING WITHOUT CAP

THIS DRAWING IS A CONTROLLED DOCUMENT.

|                |   |           |        |           |
|----------------|---|-----------|--------|-----------|
| DIMENSIONS: mm | TOLERANCES UNLESS OTHERWISE SPECIFIED:<br>0 PLC ±<br>1 PLC ±0.2<br>2 PLC ±0.1<br>3 PLC ±<br>4 PLC ± | ANGLE ±2° | FINISH | SEE NOTES |
|----------------|---|-----------|--------|-----------|

|                  |            |             |
|------------------|------------|-------------|
| DWN              | 23NOV2017  | SOURAV DAS  |
| CHK              | 19JULY2018 | SHARATH S   |
| APVD             | 19JULY2018 | PRASHANTH S |
| PRODUCT SPEC     | 108-64040  |             |
| APPLICATION SPEC | 114-32186  |             |
| WEIGHT           | -          |             |

TE Connectivity

NAME: AMPMODU 2mm, BiB RECEPTACLE, SINGLE ROW, HORIZONTAL TH/TR

|      |           |            |               |
|------|-----------|------------|---------------|
| SIZE | CAGE CODE | DRAWING NO | RESTRICTED TO |
| A2   | 00779     | ©-2307700  | -             |

CUSTOMER DRAWING SCALE 10:1 SHEET 2 OF 2 REV A3