

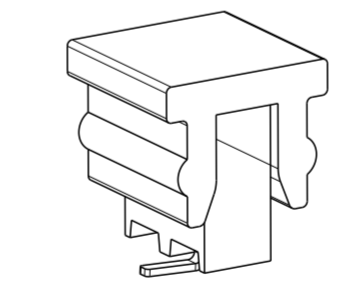
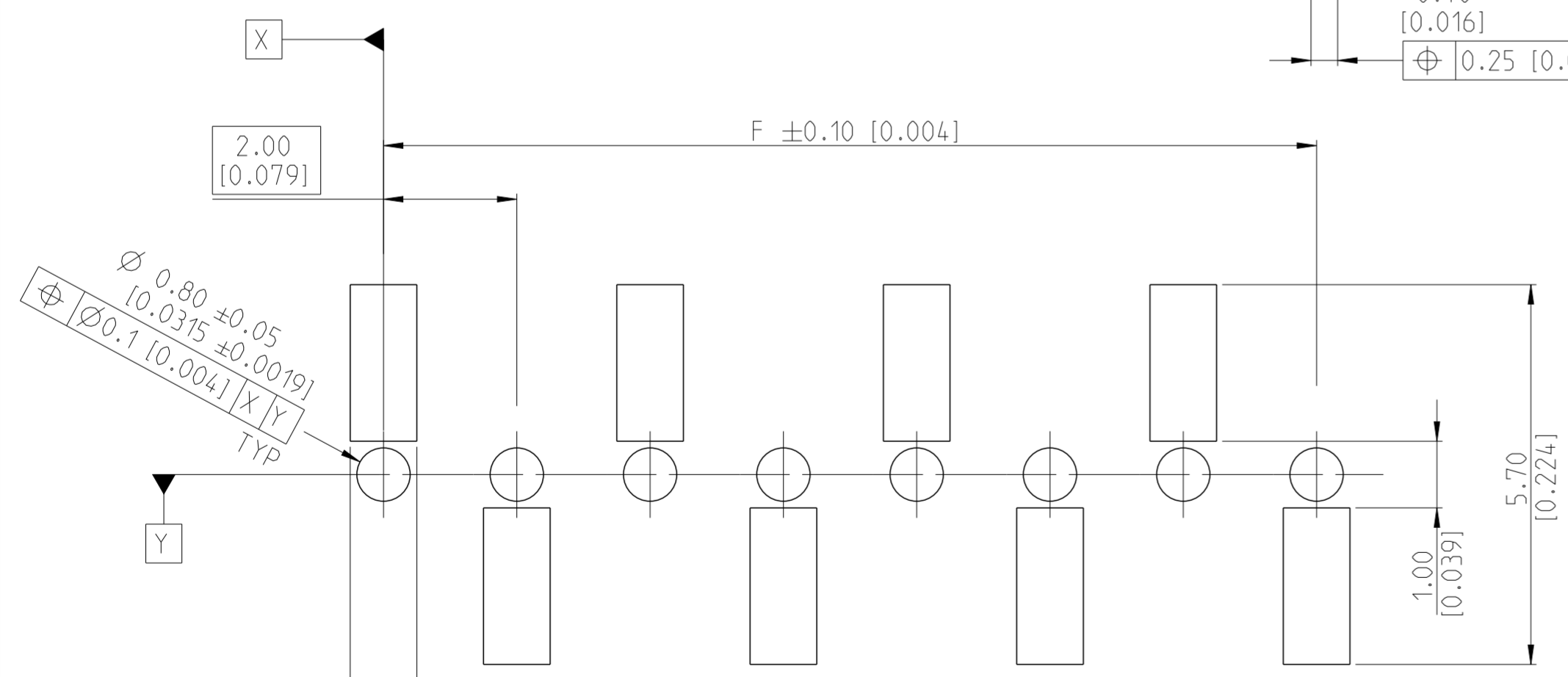
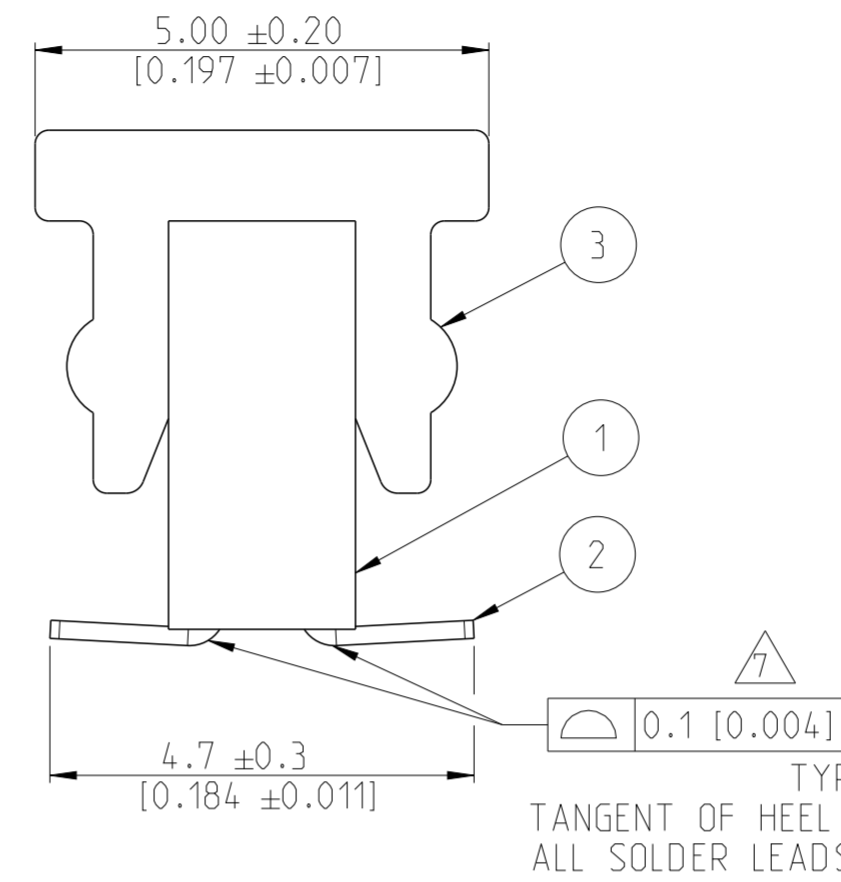
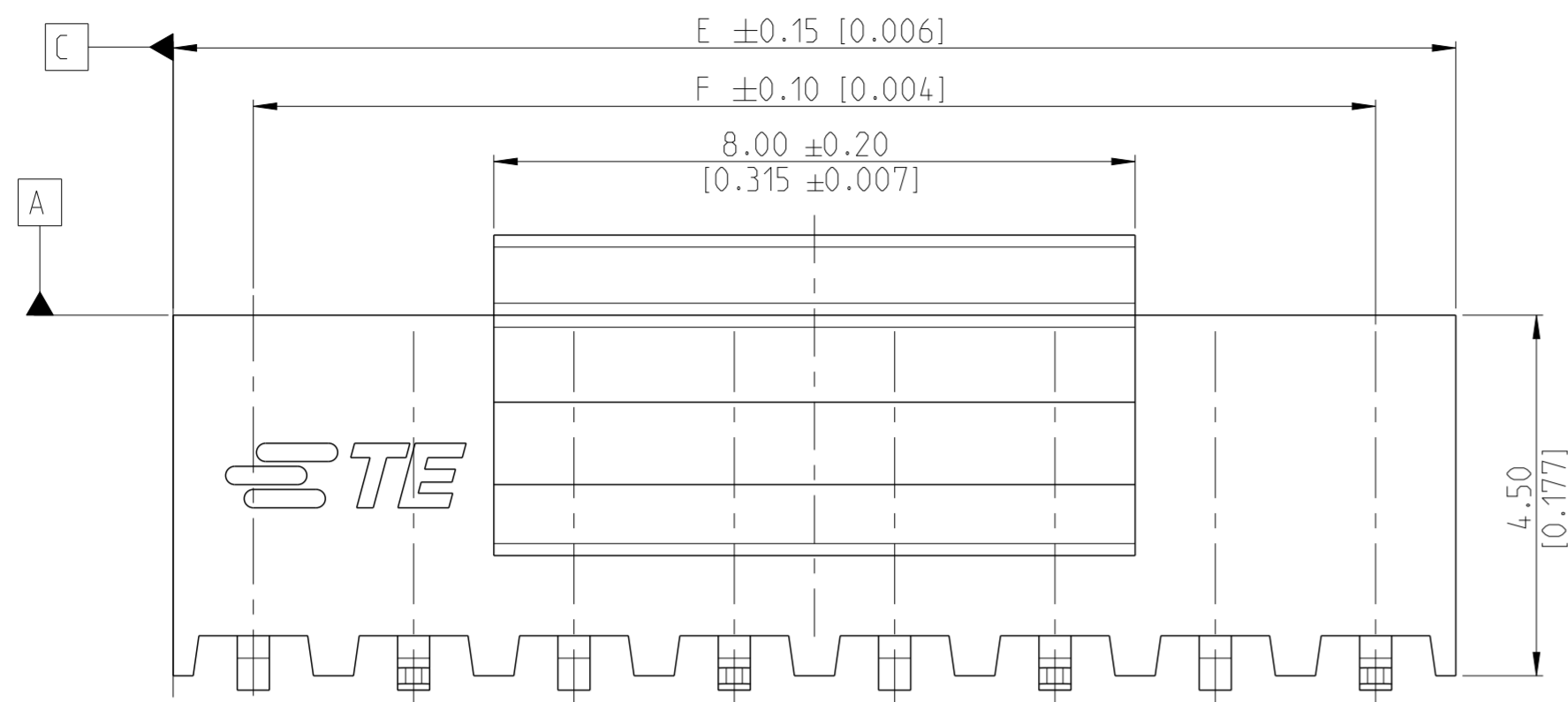
P	LTR	DESCRIPTION	DATE	DWN	APVD
A		RELEASE GOLD PLATED VERSIONS TO PRODUCTION	03SEP2019	AY	PS
A1		RELEASE TIN PLATED VERSIONS TO PRODUCTION	14APR2020	AY	PS
A2		SMART PN DETAILS ADDED	19APR2022	SCB	PS

NOTES:

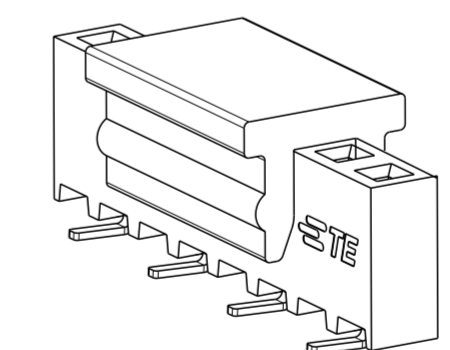
- 1 MATERIAL:  
HOUSING & CAP: LCP, UL94 V0, BLACK  
CONTACT: PHOSPHOR BRONZE, 0.20mm THICK.
- 2 ALL OVER 3-5µm (118.11-196.85 µ") TIN OVER  
MIN 1.27µm (50 µ") NICKEL UNDERPLATE
- 3 CONTACT AREA: MIN 0.1µm (3.94 µ") GOLD  
SOLDER TAIL: 3-5µm (118.11-196.85 µ") TIN  
UNDERPLATING: MIN 1.27µm (50 µ") NICKEL ALL OVER
- 4 CONTACT AREA: MIN 0.38µm (15 µ") GOLD  
SOLDER TAIL: 3-5µm (118.11-196.85 µ") TIN  
UNDERPLATING: MIN 1.27µm (50 µ") NICKEL ALL OVER
- 5 CONTACT AREA: MIN 0.76µm (30 µ") GOLD  
SOLDER TAIL: 3-5µm (118.11-196.85 µ") TIN  
UNDERPLATING: MIN 1.27µm (50 µ") NICKEL ALL OVER
- 6 N = NO. OF POSITIONS PER CONNECTOR.

"N"	FG P/N	CO-PLANARITY
2 TO 10	S02 TO S10	0.08
11 TO 20	S11 TO S20	0.10
21 TO 25	S21 TO S25	0.15

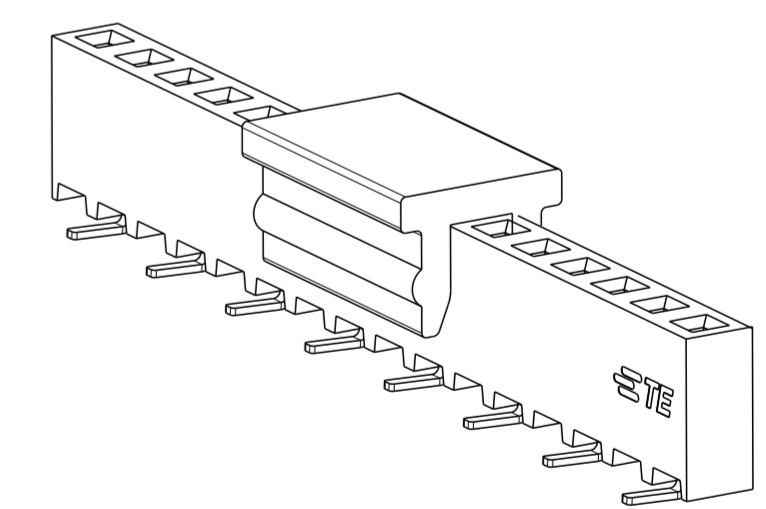
DESCRIPTION	ITEM
CAP	3
CONTACT	2
HOUSING	1



2MM-R-S02-VS-00-T-TRP



2MM-R-S08-VS-00-T-TRP



2MM-R-S16-VS-00-T-TRP





RECOMMENDED PCB PATTERN

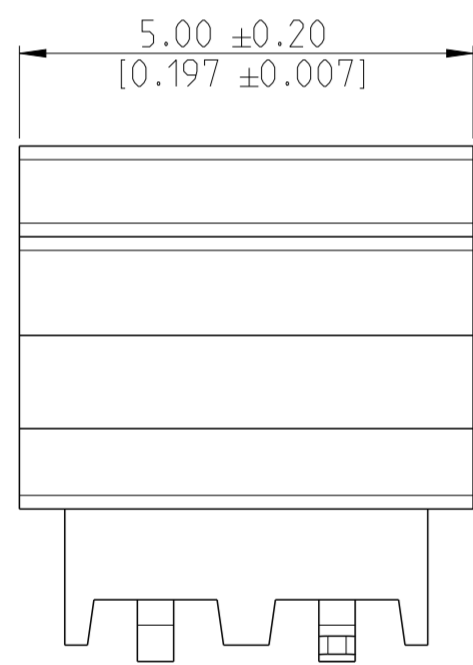
THIS DRAWING IS A CONTROLLED DOCUMENT.

DIMENSIONS: mm [inch]	TOLERANCES UNLESS OTHERWISE SPECIFIED: 0 PLC ± 1 PLC ±0.2 2 PLC ±0.1 3 PLC ± [0.004] 4 PLC ± ANGLES ±2°	DWN 22NOV2017 SOURAV DAS CHK 21NOV2018 SHARATH S APVD 21NOV2018 PRASHANTH S	TE Connectivity	
MATERIAL SEE NOTES	FINISH SEE NOTES	PRODUCT SPEC 108-64040	NAME AMPMODU 2mm BiB RECEPTACLE SINGLE ROW, VERTICAL, DUAL ENTRY SMD	
		APPLICATION SPEC 114-32186	SIZE A2	CAGE CODE 00779
		WEIGHT -	DRAWING NO C-2307812	RESTRICTED TO -
		CUSTOMER DRAWING	SCALE 5:1	SHEET 1 OF 3
				REV A2

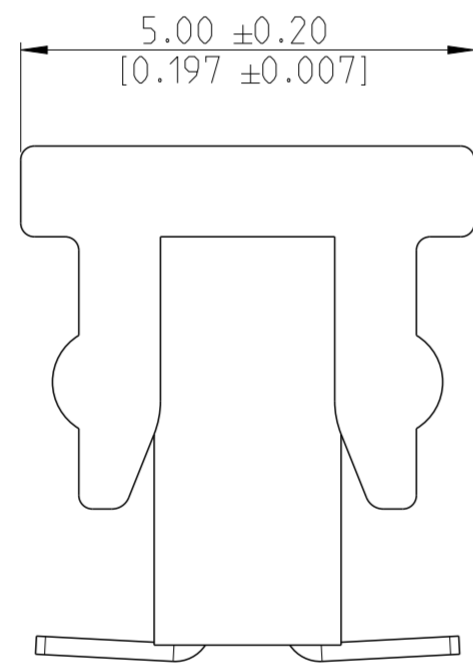
REVISIONS

P	LTR	DESCRIPTION	DATE	DWN	APVD
-	-	SEE SHEET 1	-	-	-

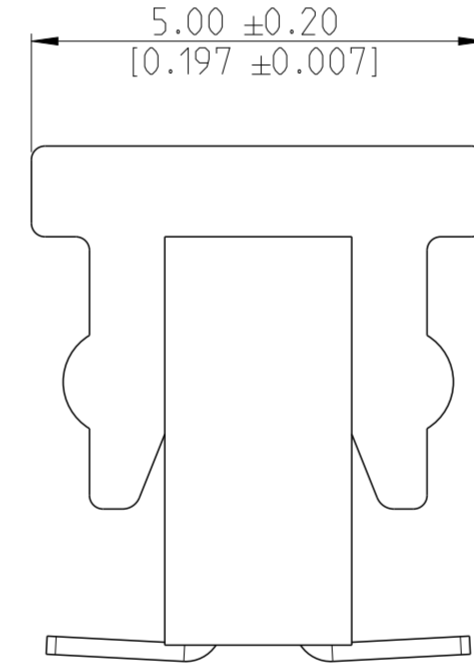
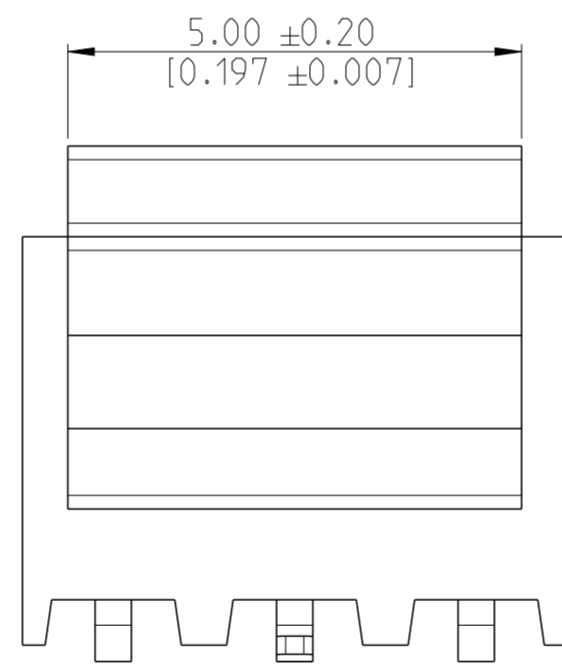
MATING SIDE PLATING (FINISH)	BTB RECEPTACLE BASE NUMBERS	
	TAPE & REEL PKG W / CAP	TUBE PKG W / CAP
TIN 	2MM-R-S__-VS-00-T-TRP	2MM-R-S__-VS-00-T-TBP
GOLD FLASH 0.1 μm (3.94 μ") 	2MM-R-S__-VS-00-F-TRP	2MM-R-S__-VS-00-F-TBP
GOLD 0.38 μm (15 μ") 	2MM-R-S__-VS-00-M-TRP	2MM-R-S__-VS-00-M-TBP
GOLD 0.76 μm (30 μ") 	2MM-R-S__-VS-00-H-TRP	2MM-R-S__-VS-00-H-TBP




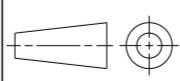
2MM-R-S02-VS-00-T-TRP



2MM-R-S03-VS-00-T-TRP



48	50	25	2MM-R-S25-VS-00-T-TRP		
46	48	24	2MM-R-S24-VS-00-T-TRP		
44	46	23	2MM-R-S23-VS-00-T-TRP		
42	44	22	2MM-R-S22-VS-00-T-TRP		
40	42	21	2MM-R-S21-VS-00-T-TRP		
38	40	20	2MM-R-S20-VS-00-T-TRP		
36	38	19	2MM-R-S19-VS-00-T-TRP		
34	36	18	2MM-R-S18-VS-00-T-TRP		
32	34	17	2MM-R-S17-VS-00-T-TRP		
30	32	16	2MM-R-S16-VS-00-T-TRP		
28	30	15	2MM-R-S15-VS-00-T-TRP		
26	28	14	2MM-R-S14-VS-00-T-TRP		
24	26	13	2MM-R-S13-VS-00-T-TRP		
22	24	12	2MM-R-S12-VS-00-T-TRP		
20	22	11	2MM-R-S11-VS-00-T-TRP		
18	20	10	2MM-R-S10-VS-00-T-TRP		
16	18	9	2MM-R-S09-VS-00-T-TRP		
14	16	8	2MM-R-S08-VS-00-T-TRP		
12	14	7	2MM-R-S07-VS-00-T-TRP		
10	12	6	2MM-R-S06-VS-00-T-TRP		
8	10	5	2MM-R-S05-VS-00-T-TRP		
6	8	4	2MM-R-S04-VS-00-T-TRP		
4	6	3	2MM-R-S03-VS-00-T-TRP		
2	4	2	2MM-R-S02-VS-00-T-TRP		
DIM "F"		DIM "E"	N	SMART PN	

THIS DRAWING IS A CONTROLLED DOCUMENT.		DWN SOURAV DAS 22NOV2017	 TE Connectivity	
DIMENSIONS: mm [inch]		CHK SHARATH S 21NOV2018		
TOLERANCES UNLESS OTHERWISE SPECIFIED:		APVD PRASHANTH S 21NOV2018	NAME AMPMODU 2mm BTB RECEPTACLE SINGLE ROW, VERTICAL, DUAL ENTRY SMD	
		PRODUCT SPEC 108-64040	SIZE A2	
MATERIAL SEE NOTES		APPLICATION SPEC 114-32186	CAGE CODE 00779	DRAWING NO C-2307812
FINISH SEE NOTES		WEIGHT -	RESTRICTED TO -	SCALE 5:1
		CUSTOMER DRAWING	SHEET 2 OF 3	REV A2

REVISIONS					
P	LTR	DESCRIPTION	DATE	DWN	APVD
-		SEE SHEET 1	-	-	-

SMART PART NUMBER  
 2MM - R - S\_\_ - VS - 00 - \_ - \_

PRODUCT SERIES  
 2MM AMPMODU 2mm SERIES

GENDER / TYPE  
 R RECEPTACLE

NUMBER OF ROWS  
 S SINGLE ROW

NUMBER OF PINS PER ROW  
 XX 02 THROUGH 25  
 (ENTER TWO DIGITS)

PACKAGING  
 TRP TAPE AND REELING WITH CAP  
 TBP TUBE WITH CAP


PLATING  
 T TIN  
 F GOLD FLASH  
 M 15 μm GOLD  
 H 30 μm GOLD

TAIL LENGTH  
 00 SURFACE MOUNT TECHNOLOGY

ORIENTATION & TERMINATION  
 VS VERTICAL SURFACE MOUNT TECHNOLOGY

SMART PN EXAMPLES:

- 2MM-R-S02-VS-00-T-TRP :  
 AMPMODU 2mm, RECEPTACLE, SINGLE ROW, 02 POSITION PER ROW, VERTICAL SURFACE MOUNT TECHNOLOGY, TIN PLATED, TAPE AND REEL PACKAGING WITH CAP
- 2MM-R-S25-VS-00-T-TRP :  
 AMPMODU 2mm, RECEPTACLE, SINGLE ROW, 25 POSITION PER ROW, VERTICAL SURFACE MOUNT TECHNOLOGY, TIN PLATED, TAPE AND REEL PACKAGING WITH CAP

THIS DRAWING IS A CONTROLLED DOCUMENT.		DWN 22NOV2017 SOURAV DAS	 TE Connectivity	
		CHK 21NOV2018 SHARATH S		
DIMENSIONS: mm [inch]		APVD 21NOV2018 PRASHANTH S	NAME AMPMODU 2mm BtB RECEPTACLE SINGLE ROW, VERTICAL, DUAL ENTRY SMD	
TOLERANCES UNLESS OTHERWISE SPECIFIED: 0 PLC ± 1 PLC ±0.2 2 PLC ±0.1 3 PLC ± (0.004) 4 PLC ± ANGLES ±2°		PRODUCT SPEC 108-64040	RESTRICTED TO -	
MATERIAL SEE NOTES		APPLICATION SPEC 114-32186	SIZE A2	CAGE CODE 00779
FINISH SEE NOTES		WEIGHT -	DRAWING NO C-2307812	SCALE 5:1
		CUSTOMER DRAWING	SHEET 3 OF 3	REV A2