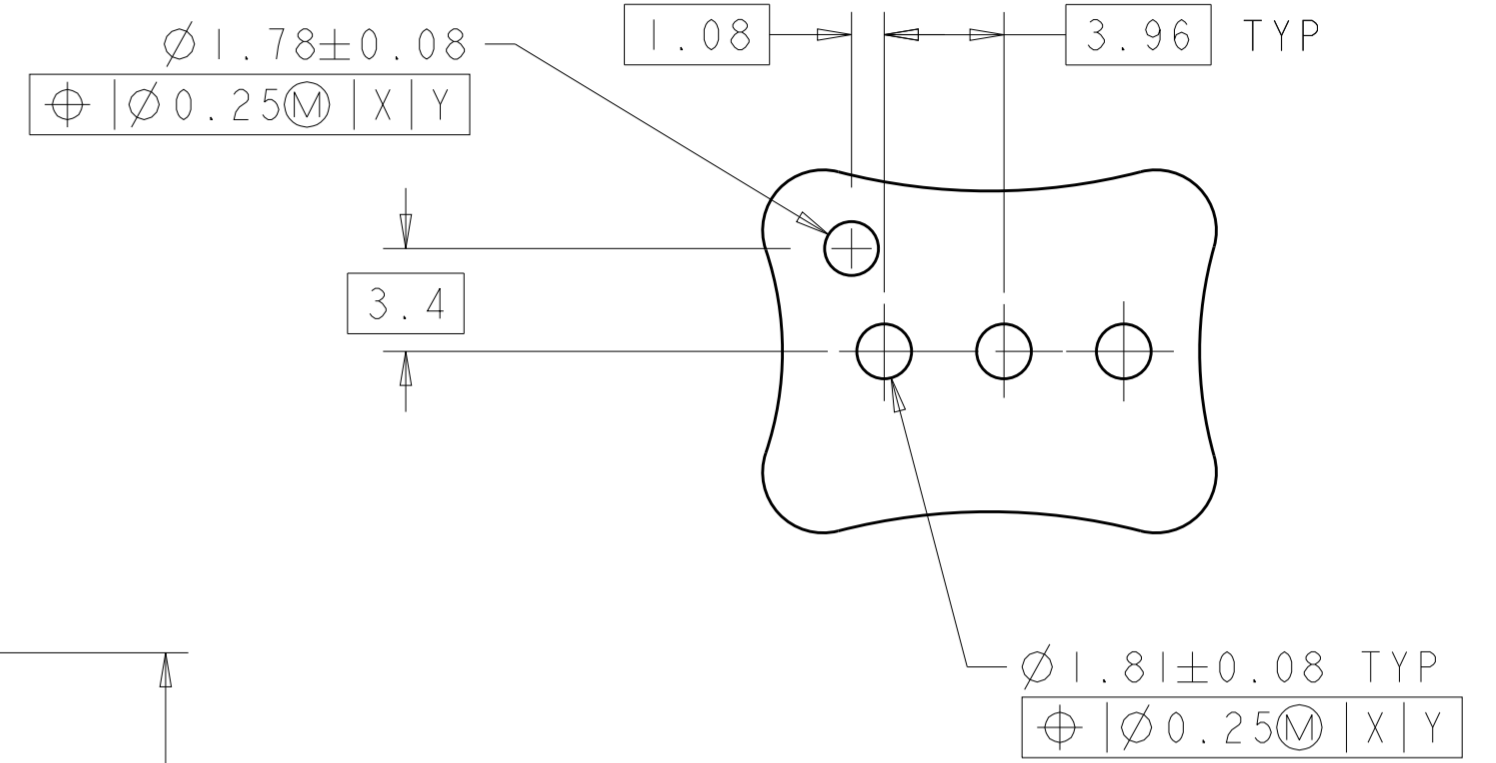
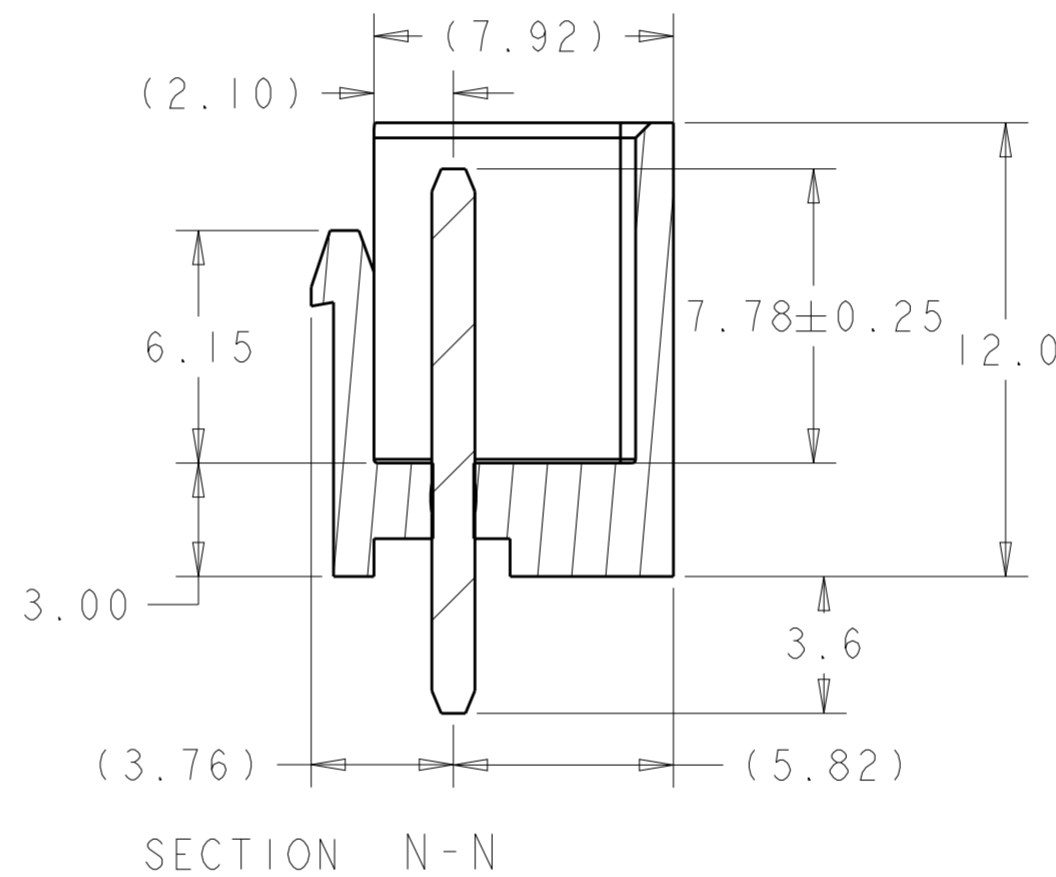
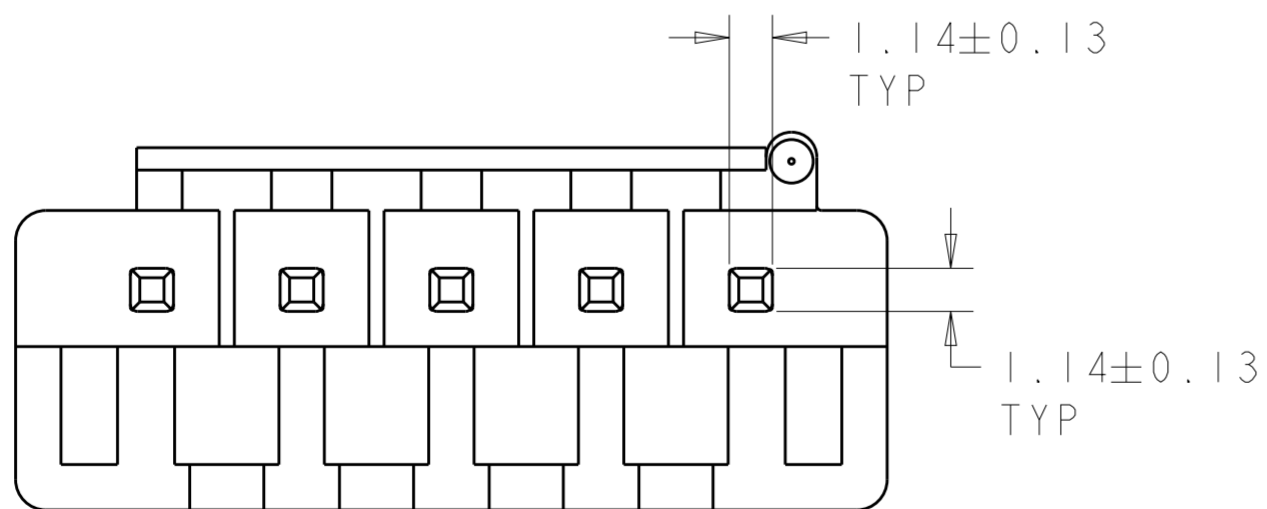
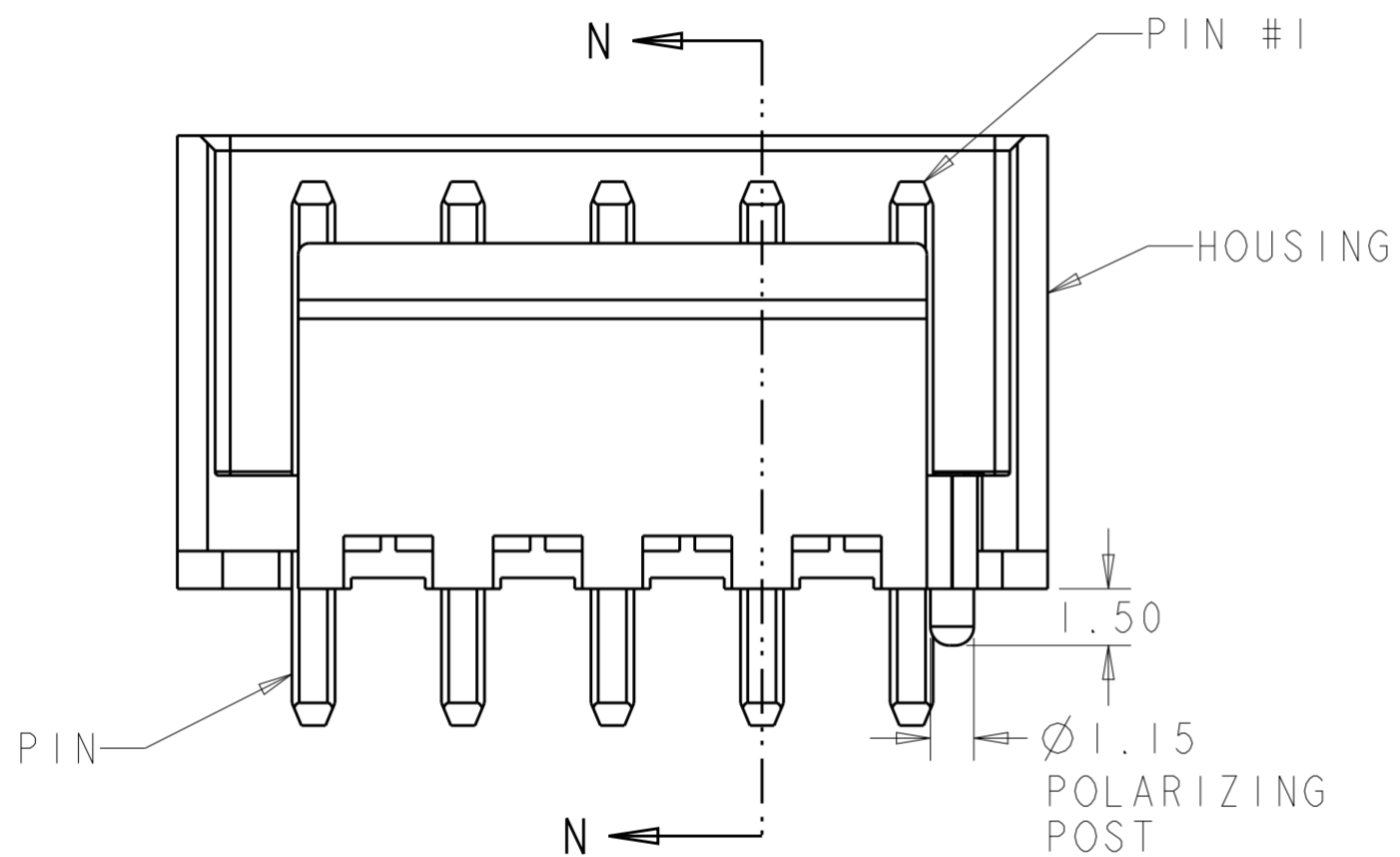
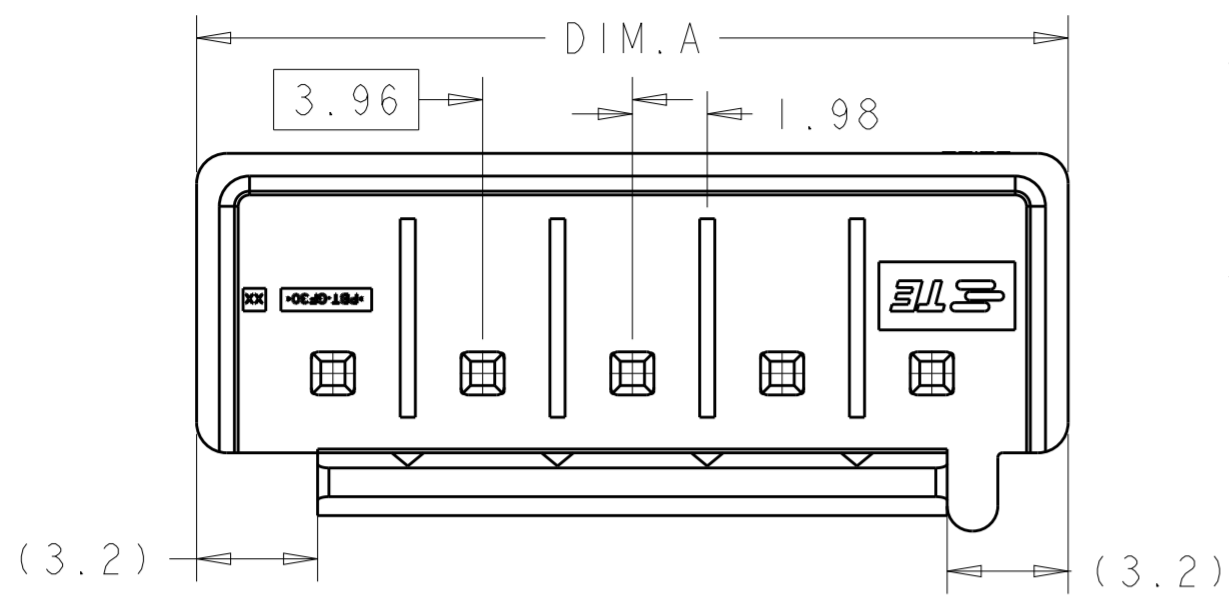


THIS DRAWING IS UNPUBLISHED. RELEASED FOR PUBLICATION 20  
 © COPYRIGHT 20 BY - ALL RIGHTS RESERVED.

LOC	DIST	REVISIONS					
GP	00	P	LTR	DESCRIPTION	DATE	DWN	APVD
		A		FIRST RELEASED	05SEP2016	O.C	D.Z

- 1 MATERIAL: HOUSING; PBT GLASS FILLED UL94V-0, WHITE  
PIN; BRASS
- 2 FINISH: PIN, 1.0µm MIN TIN OVER 0.8µm MIN NICKEL.
- 3 SKETCHES SHOWS NO PIN MISSING.
- 4 "O" WITH POST  
"X" WITHOUT POST



RECOMMENDED PCB LAYOUT  
SCALE 4:1

0	1	2	3	4	5	6	7	8	POS.	DIM.A	PART NO.
O	O	O	O	O	O	X	O	8	34.93	2309279-8	
O	X	O	O	O				5	23.05	2309279-5	
O	X	O						3	15.13	2309279-3	

THIS DRAWING IS A CONTROLLED DOCUMENT.

DWN: OTO CHEN 05SEP2016  
 CHK: DANIEL 08SEP2016  
 APVD: DANIEL 08SEP2016

STE TE Connectivity

NAME: SHROUDED HEADER ASSEMBLY, SINGLE LATCH, 3.96mm PITCH, ECONOMY POWER (EP)

SIZE: A2 CAGE CODE: 00779 DRAWING NO: C-2309279

RESTRICTED TO: -

MATERIAL: 1 TOLERANCES UNLESS OTHERWISE SPECIFIED: 2

0 PLC ±  
 1 PLC ±0.50  
 2 PLC ±0.30  
 3 PLC ±  
 4 PLC ±  
 ANGLES ±  
 FINISH 2

PRODUCT SPEC: 108-5609  
 APPLICATION SPEC: -  
 WEIGHT: -

CUSTOMER DRAWING SCALE 8:1 SHEET 1 OF 1 REV A