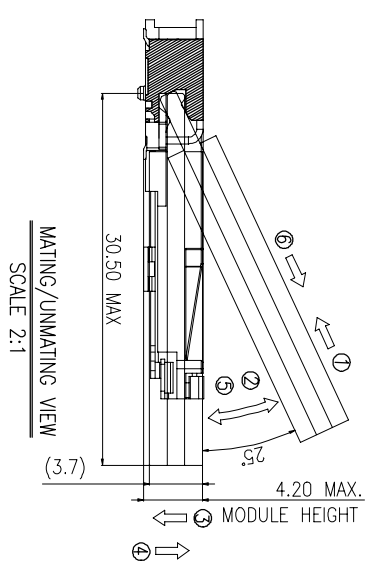
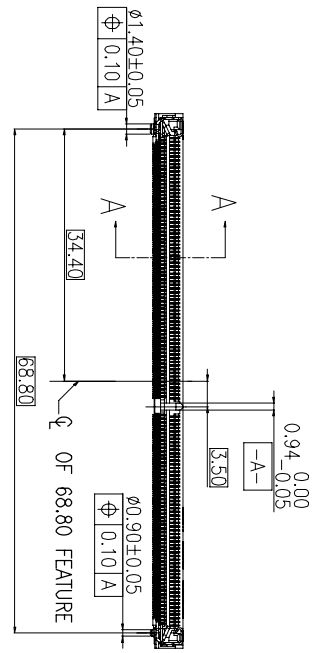
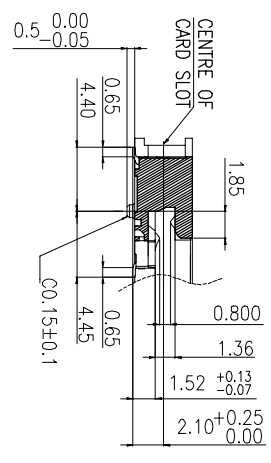


- NOTES:
1. MATERIAL:
- 1.1 HOUSING: HIGH TEMPERATURE THERMO PLASTIC, UL94V-0, COLOR: BLACK.
 - 1.2 CONTACT: COPPER ALLOY.
 - 1.3 SOLDER PEG AND LATCH: STAINLESS STEEL.
2. FINISH:
- SOLDER PEG: GOLD FLASH ON 50u" MIN NICKEL UNDERPLATED ALL OVER.
- CONTACT SOLDER AREA: GOLD FLASH ON 50u" MIN NICKEL UNDERPLATED ALL OVER.
- 2.1 CONTACT AREA: GOLD FLASH ON 50u" MIN NICKEL UNDERPLATED ALL OVER.
 - 2.2 CONTACT AREA: 5u" ON 50u" MIN NICKEL UNDERPLATED ALL OVER.
 - 2.3 CONTACT AREA: 10u" ON 50u" MIN NICKEL UNDERPLATED ALL OVER.
 - 2.4 CONTACT AREA: 15u" ON 50u" MIN NICKEL UNDERPLATED ALL OVER.
 - 2.5 CONTACT AREA: 30u" ON 50u" MIN NICKEL UNDERPLATED ALL OVER.
3. COPPLANARITY: 0.10MAX. (BEFORE SOLDERING)



- MATING: ① INSERTING(25°) — ② ROTATING — ③ FIXED
- UNMATING: ④ UNFIXED — ⑤ ROTATING — ⑥ WITHDRAWING



SECTION A-A
SCALE 2:1

PAKING TYPE	HOUSING COLOR	POWER SUPPLY FINISH	POS	PART NO.
TAPE&REEL	BLACK	1.2V	260	1-2309408-3
TAPE&REEL	BLACK	1.2V	260	2309408-5
TAPE&REEL	BLACK	1.2V	260	2309408-4
TAPE&REEL	BLACK	1.2V	260	2309408-3
TAPE&REEL	BLACK	1.2V	260	2309408-2
TAPE&REEL	BLACK	1.2V	260	2309408-1

DIMENSIONS:	TOLERANCES UNLESS OTHERWISE SPECIFIED:	NAME
0 R.C.	± 0.25	DRD4 SODIMW SOCKET
1 R.C.	± 0.15	0.5mm PITCH 260POS
2 R.C.	± 0.10	4.0mm HEIGHT REVERSE TYPE
4 R.C.	±	
ANGLES FINISH	±	

THIS DRAWING IS A CONTROLLED DOCUMENT.

ENR: DAVID ZHANG 11MAR2021

CHK: RICHARD MA 11MAR2021

APPROVAL: RICHARD MA 11MAR2021

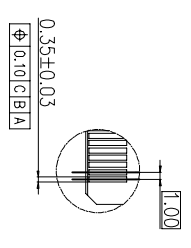
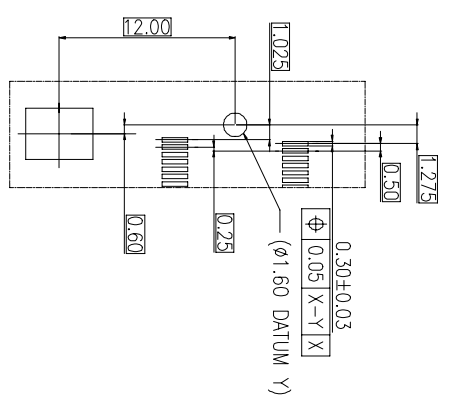
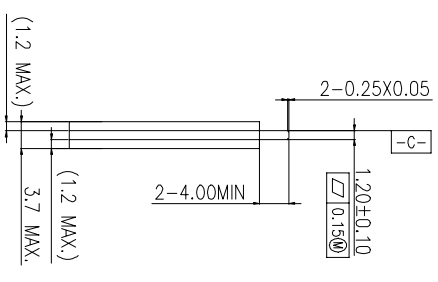
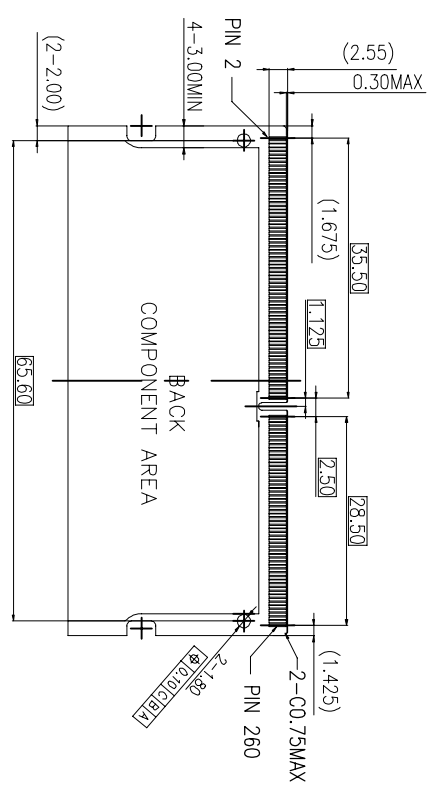
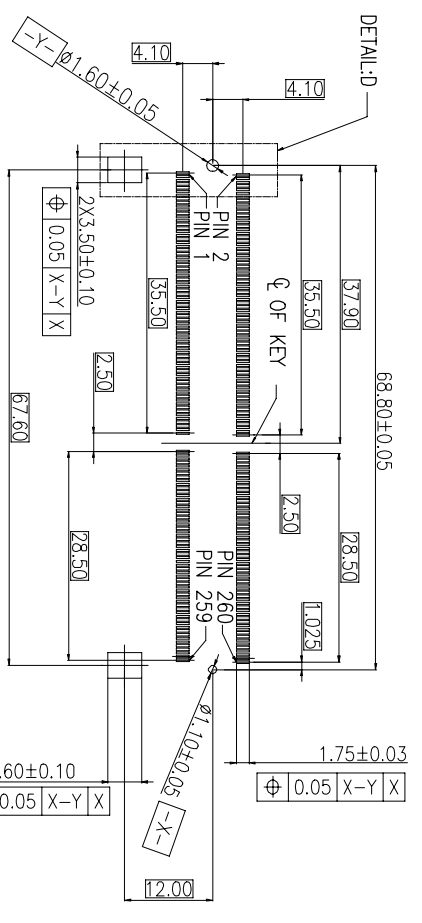
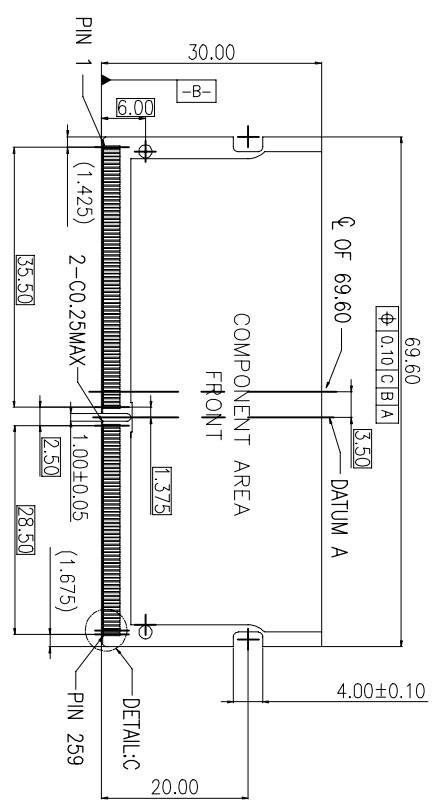
PRODUCT SPEC: 108-115122

APPLICATION SPEC:

SIZE: A2 00779

QTY: 2309408

RESTRICTED

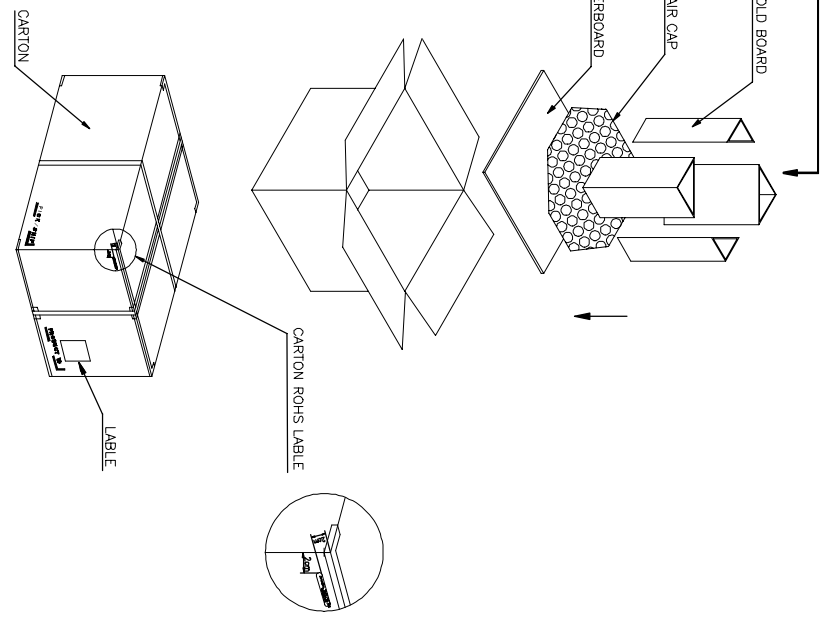
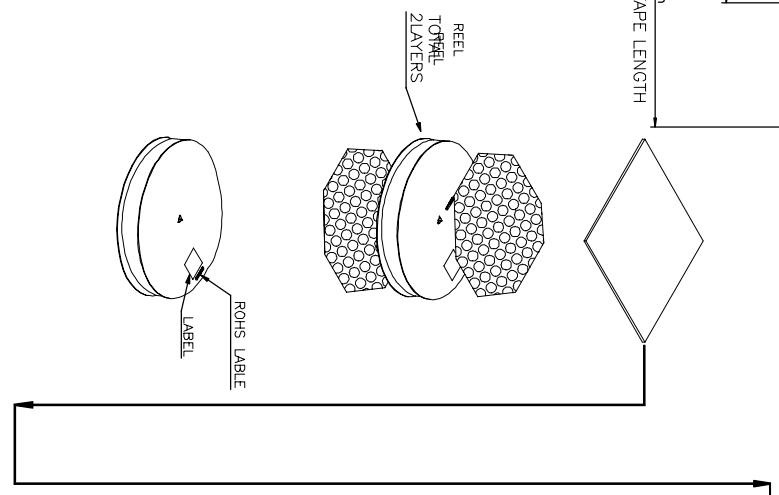
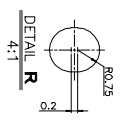
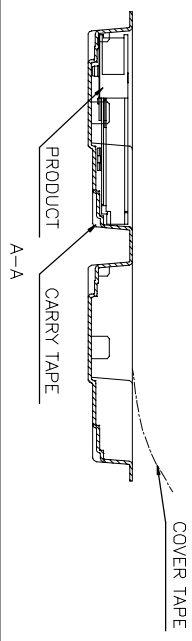
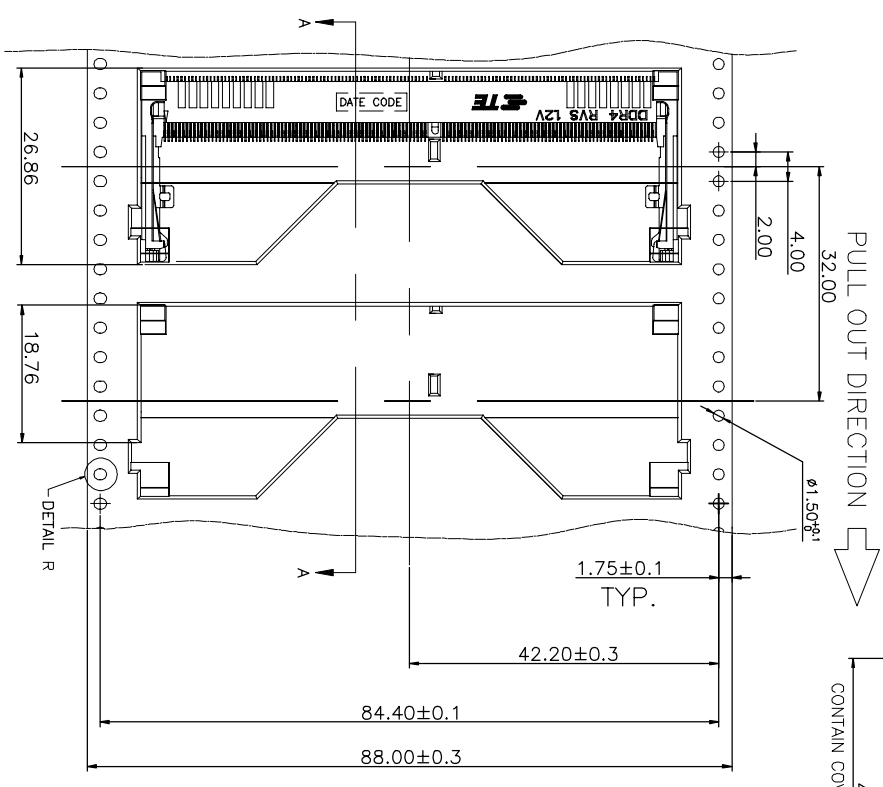
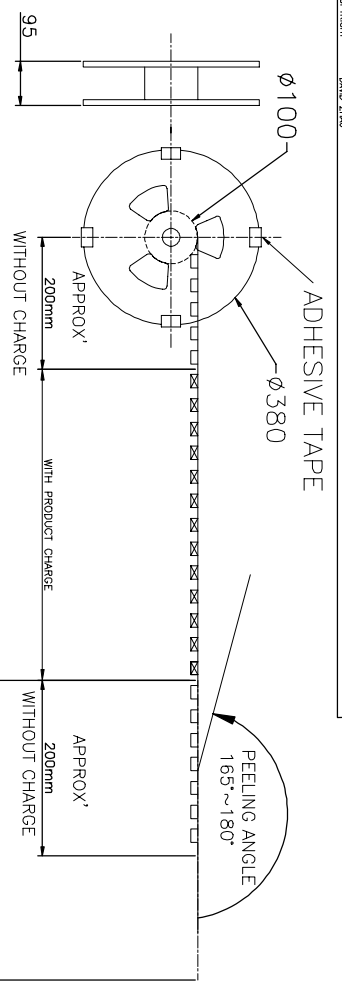


DETAIL:C
SCALE 2:1

DETAIL:D
SCALE 2:1

THIS DRAWING IS A CONTROLLED DOCUMENT.		ENR AND ZHAO	11MAR2021	NAME	TE Connectivity
DIMENSIONS: mm		CHK RICHARD MA	11MAR2021	PRODUCT SPEC	DDR4 SODIMM SOCKET
TOLERANCES UNLESS OTHERWISE SPECIFIED		APPROVAL SPEC		4.0mm HEIGHT REVERSE TYPE	
0 R/C	+				
1 R/C	+				
2 R/C	+				
3 R/C	+				
4 R/C	+				
5 R/C	+				
6 R/C	+				
7 R/C	+				
8 R/C	+				
9 R/C	+				
10 R/C	+				
11 R/C	+				
12 R/C	+				
13 R/C	+				
14 R/C	+				
15 R/C	+				
16 R/C	+				
17 R/C	+				
18 R/C	+				
19 R/C	+				
20 R/C	+				
21 R/C	+				
22 R/C	+				
23 R/C	+				
24 R/C	+				
25 R/C	+				
26 R/C	+				
27 R/C	+				
28 R/C	+				
29 R/C	+				
30 R/C	+				
31 R/C	+				
32 R/C	+				
33 R/C	+				
34 R/C	+				
35 R/C	+				
36 R/C	+				
37 R/C	+				
38 R/C	+				
39 R/C	+				
40 R/C	+				
41 R/C	+				
42 R/C	+				
43 R/C	+				
44 R/C	+				
45 R/C	+				
46 R/C	+				
47 R/C	+				
48 R/C	+				
49 R/C	+				
50 R/C	+				
51 R/C	+				
52 R/C	+				
53 R/C	+				
54 R/C	+				
55 R/C	+				
56 R/C	+				
57 R/C	+				
58 R/C	+				
59 R/C	+				
60 R/C	+				
61 R/C	+				
62 R/C	+				
63 R/C	+				
64 R/C	+				
65 R/C	+				
66 R/C	+				
67 R/C	+				
68 R/C	+				
69 R/C	+				
70 R/C	+				
71 R/C	+				
72 R/C	+				
73 R/C	+				
74 R/C	+				
75 R/C	+				
76 R/C	+				
77 R/C	+				
78 R/C	+				
79 R/C	+				
80 R/C	+				
81 R/C	+				
82 R/C	+				
83 R/C	+				
84 R/C	+				
85 R/C	+				
86 R/C	+				
87 R/C	+				
88 R/C	+				
89 R/C	+				
90 R/C	+				
91 R/C	+				
92 R/C	+				
93 R/C	+				
94 R/C	+				
95 R/C	+				
96 R/C	+				
97 R/C	+				
98 R/C	+				
99 R/C	+				
100 R/C	+				

REVISIONS		DATE	OWN	APP'D
P	LINE			
	DESCRIPTION			



THIS DRAWING IS A CONTROLLED DOCUMENT

DIMENSIONS:		TOLERANCES UNLESS OTHERWISE SPECIFIED:	
mm		0 R.C	±
		1 R.C	±
		2 R.C	±
		4 R.C	±
		ANGLES	±
		FINISH	±

DATE	11MAR2021	NAME	DAVID ZHAO
CHK	11MAR2021	NAME	RICHARD MA
APP'D		NAME	DAVID ZHAO
PRODUCT SPEC		APPLICATION SPEC	
TRAILER SPEC		WEIGHT	
CUSTOMER DRAWING		SIZE	A2
		DATE CODE	00779
		SCALE	2:1
		SHEET	3 of 3
		REV	6

450	2	900	*-2309408--*
PCS/ REEL	REEL/ CARTON	PCS/ CARTON	PART NUMBER

STE TE Connectivity

DDR4 SODIMM SOCKET
0.5mm PITCH 260POS
4.0mm HEIGHT REVERSE TYPE

SIZE A2
DATE CODE 00779
SCALE 2:1
SHEET 3 of 3
REV 6

2309408