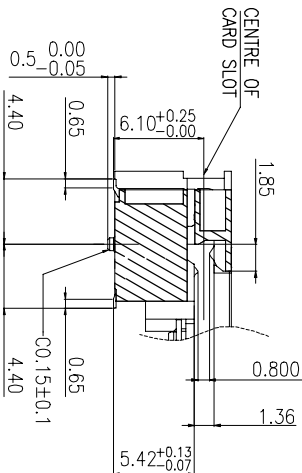
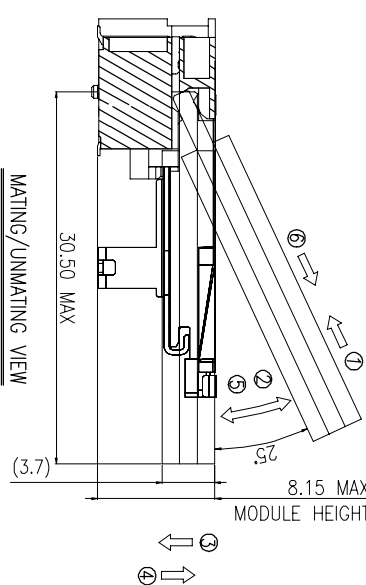
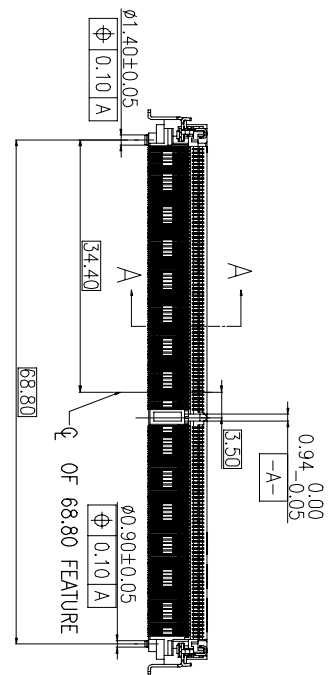


- NOTES:
- MATERIAL:
    - 1.1 HOUSING: HIGH TEMPERATURE THERMO PLASTIC, UL94V-0, COLOR: BLACK.
    - 1.2 CONTACT: COPPER ALLOY.
    - 1.3 SOLDER PEG AND LATCH: STAINLESS STEEL.
  - FINISH:
    - SOLDER PEG: GOLD FLASH ON 50u" MIN NICKEL UNDERPLATED ALL OVER.
    - CONTACT SOLDER AREA: GOLD FLASH ON 50u" MIN NICKEL UNDERPLATED ALL OVER.
    - 2.1 CONTACT AREA: GOLD FLASH ON 50u" MIN NICKEL UNDERPLATED ALL OVER.
    - 2.2 CONTACT AREA: 5u" ON 50u" MIN NICKEL UNDERPLATED ALL OVER.
    - 2.3 CONTACT AREA: 10u" ON 50u" MIN NICKEL UNDERPLATED ALL OVER.
    - 2.4 CONTACT AREA: 15u" ON 50u" MIN NICKEL UNDERPLATED ALL OVER.
    - 2.5 CONTACT AREA: 30u" ON 50u" MIN NICKEL UNDERPLATED ALL OVER.
    3. COPLANARITY: 0.10MAX. (BEFORE SOLDERING)



MATING: ① INSERTING (30°) — ② ROTATING — ③ FIXED  
 UNMATING: ④ UNFIXED — ⑤ ROTATING — ⑥ WITHDRAWING

MATING/UNMATING VIEW  
SCALE 2:1

TAPE&REEL	HOUSING COLOR	POWER SUPPLY FINISH	POS	PART NO.
TAPE&REEL	BLACK	30u"	260	2309412-5
TAPE&REEL	BLACK	15u"	260	2309412-4
TAPE&REEL	BLACK	10u"	260	2309412-3
TAPE&REEL	BLACK	5u"	260	2309412-2
TAPE&REEL	BLACK	1.2V	GF	2309412-1

THIS DRAWING IS A CONTROLLED DOCUMENT.

DIMENSIONS:	TOLERANCES UNLESS OTHERWISE SPECIFIED:
mm	± 0.25
0 R.C.	± 0.18
1 R.C.	± 0.10
2 R.C.	± 0.10
4 R.C.	± 0.10

DATE: 11MAR2021  
 CHK: RICHARD MA  
 NAME: RICHARD MA  
 PRODUCT SPEC: 108-115122  
 APPLICATION SPEC: 8.0mm HEIGHT REVERSE TYPE

SIZE: A2  
 QTY: 00779  
 DATE CODE: 2309412

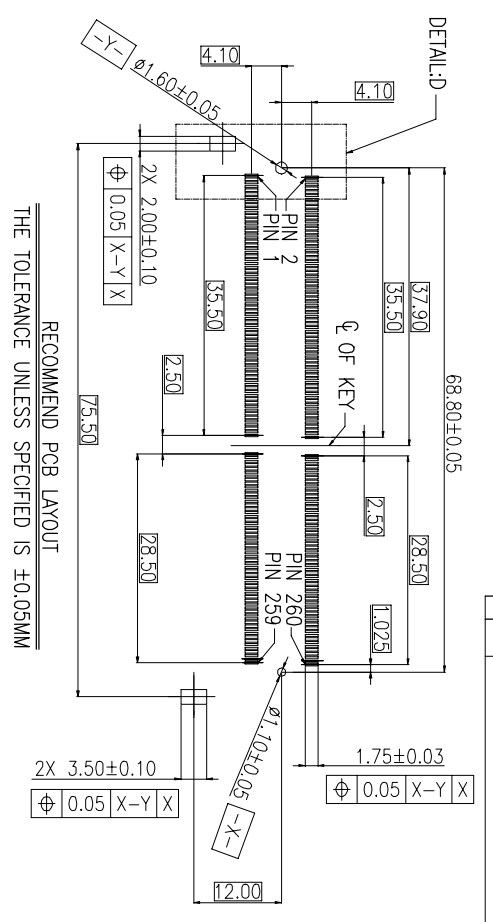
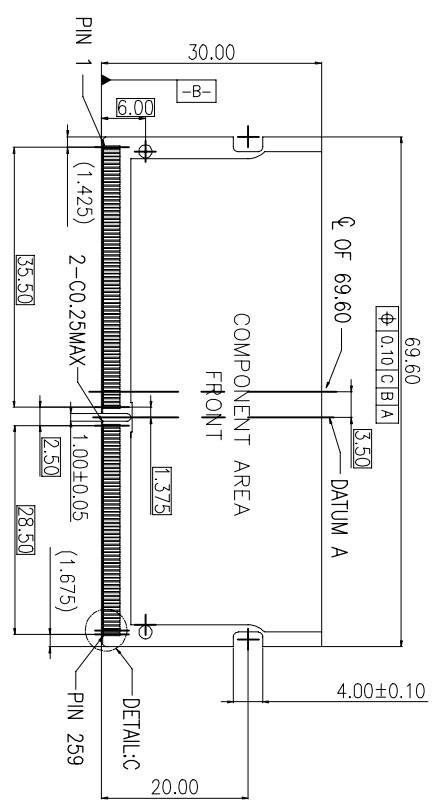
CUSTOMER DRAWING: 2309412

SCALE: 2:1

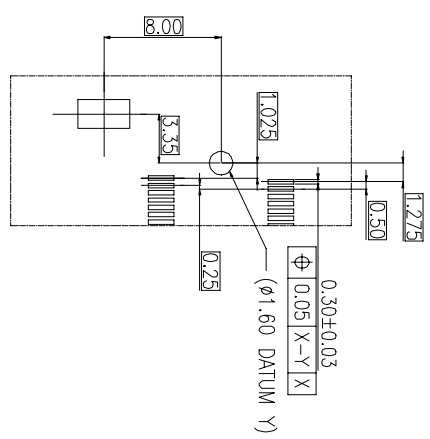
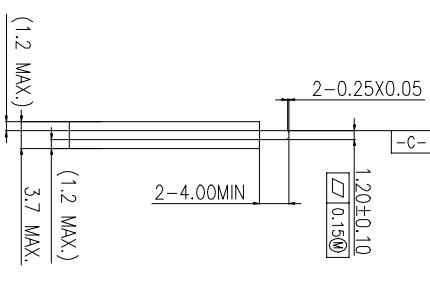
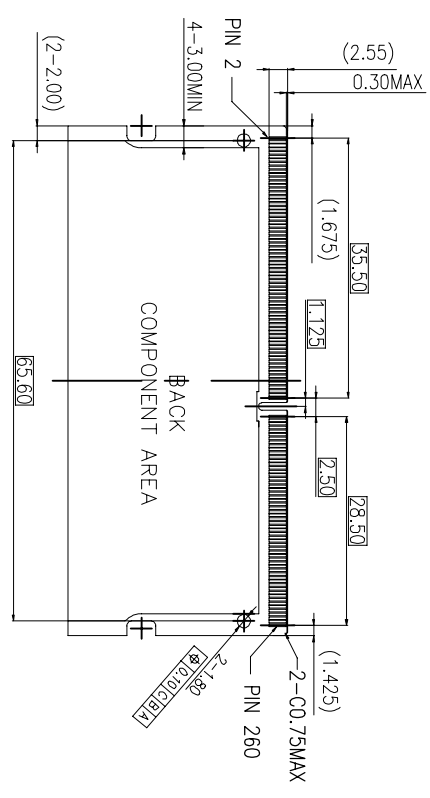
SHEET: 1 of 3

REV: 5

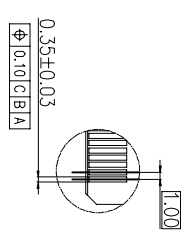
1471-9 (1/19)



RECOMMEND PCB LAYOUT  
THE TOLERANCE UNLESS SPECIFIED IS ±0.05MM

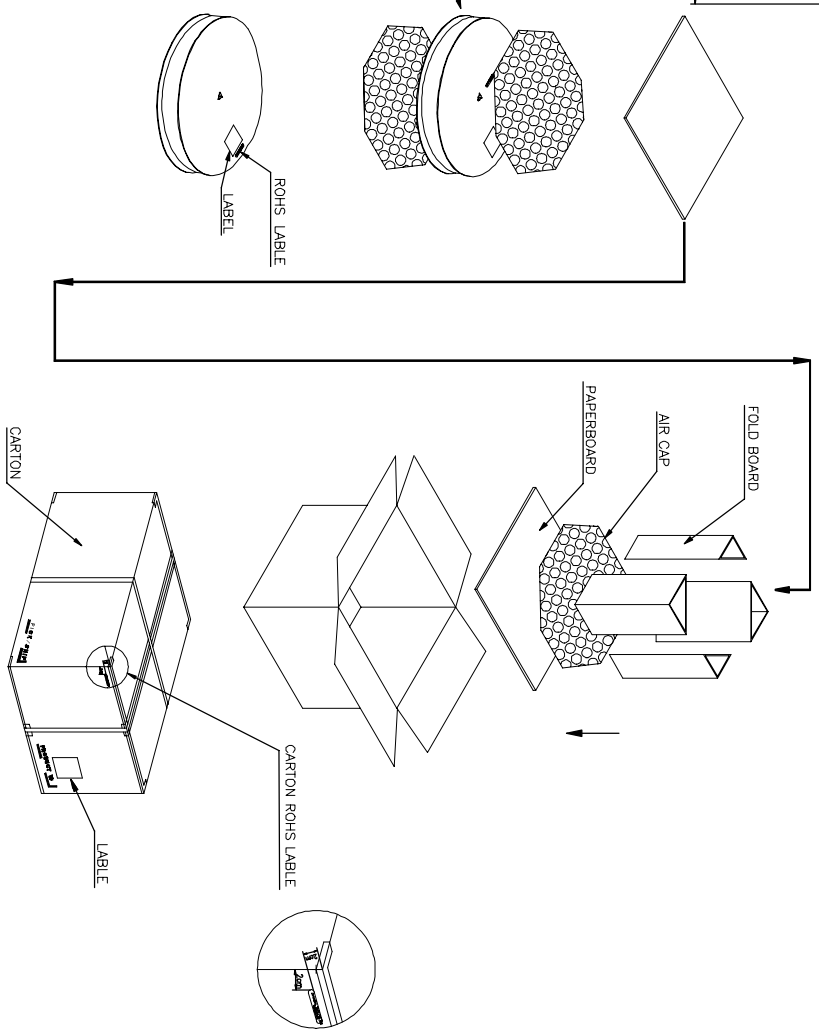
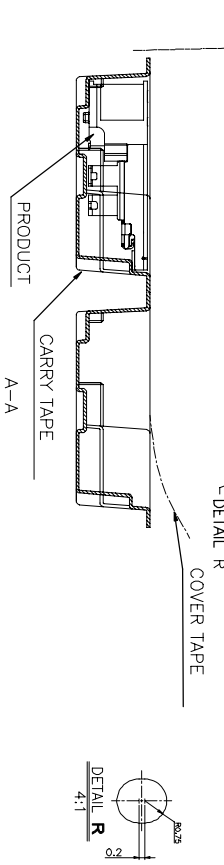
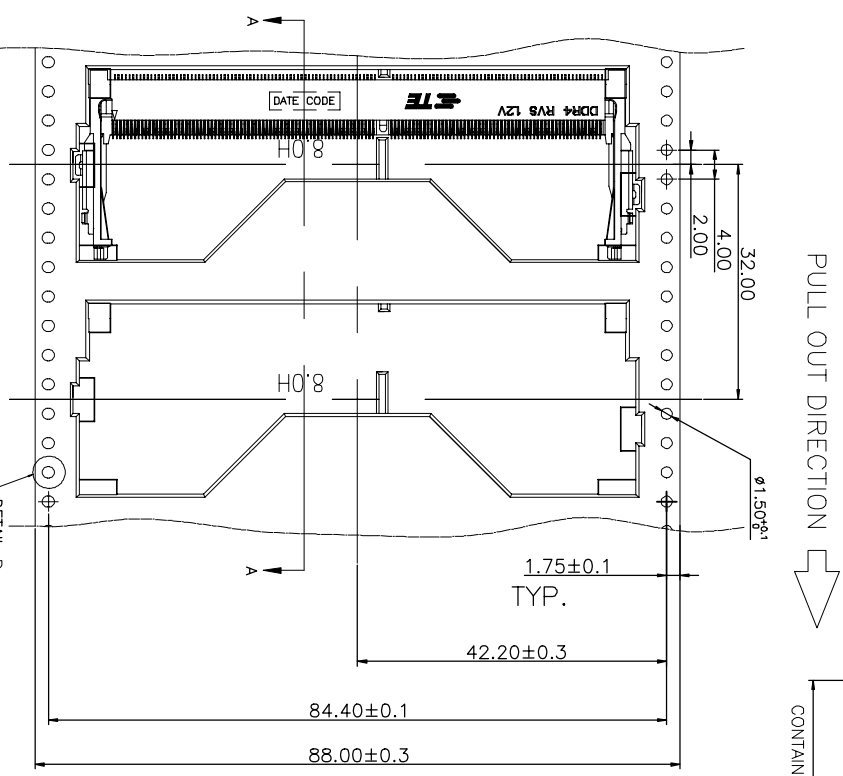
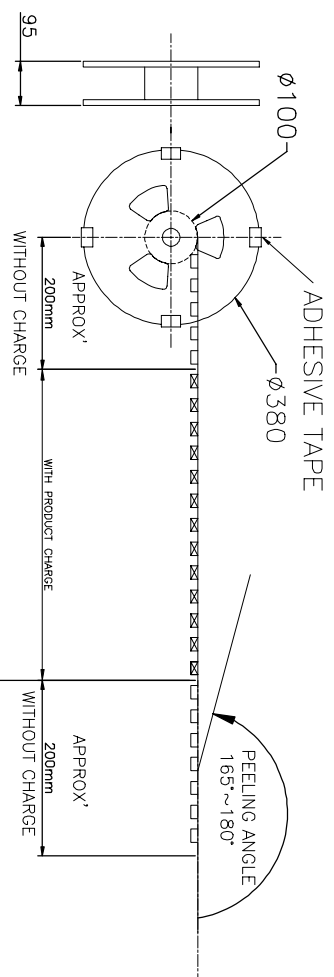


DETAIL:D  
SCALE 2:1



DETAIL:C  
SCALE 2:1

THIS DRAWING IS A CONTROLLED DOCUMENT.		ENR AND ZHAO	11MAR2021
DIMENSIONS: mm		CHK	11MAR2021
TOLERANCES UNLESS OTHERWISE SPECIFIED:		NAME	TE Connectivity
0 R/C	±	APPROVAL	DRR4 SODIMM SOCKET
1 R/C	±	PRODUCT SPEC	0.5mm PITCH 260POS
2 R/C	±	APPLICATION SPEC	8.0mm HEIGHT REVERSE TYPE
3 R/C	±	WEIGHT	
4 R/C	±	CUSTOMER DRAWING	
5 R/C	±		
6 R/C	±		
7 R/C	±		
8 R/C	±		
9 R/C	±		
10 R/C	±		
11 R/C	±		
12 R/C	±		
13 R/C	±		
14 R/C	±		
15 R/C	±		
16 R/C	±		
17 R/C	±		
18 R/C	±		
19 R/C	±		
20 R/C	±		
21 R/C	±		
22 R/C	±		
23 R/C	±		
24 R/C	±		
25 R/C	±		
26 R/C	±		
27 R/C	±		
28 R/C	±		
29 R/C	±		
30 R/C	±		
31 R/C	±		
32 R/C	±		
33 R/C	±		
34 R/C	±		
35 R/C	±		
36 R/C	±		
37 R/C	±		
38 R/C	±		
39 R/C	±		
40 R/C	±		
41 R/C	±		
42 R/C	±		
43 R/C	±		
44 R/C	±		
45 R/C	±		
46 R/C	±		
47 R/C	±		
48 R/C	±		
49 R/C	±		
50 R/C	±		
51 R/C	±		
52 R/C	±		
53 R/C	±		
54 R/C	±		
55 R/C	±		
56 R/C	±		
57 R/C	±		
58 R/C	±		
59 R/C	±		
60 R/C	±		
61 R/C	±		
62 R/C	±		
63 R/C	±		
64 R/C	±		
65 R/C	±		
66 R/C	±		
67 R/C	±		
68 R/C	±		
69 R/C	±		
70 R/C	±		
71 R/C	±		
72 R/C	±		
73 R/C	±		
74 R/C	±		
75 R/C	±		
76 R/C	±		
77 R/C	±		
78 R/C	±		
79 R/C	±		
80 R/C	±		
81 R/C	±		
82 R/C	±		
83 R/C	±		
84 R/C	±		
85 R/C	±		
86 R/C	±		
87 R/C	±		
88 R/C	±		
89 R/C	±		
90 R/C	±		
91 R/C	±		
92 R/C	±		
93 R/C	±		
94 R/C	±		
95 R/C	±		
96 R/C	±		
97 R/C	±		
98 R/C	±		
99 R/C	±		
100 R/C	±		



THIS DRAWING IS A CONTROLLED DOCUMENT.

DATE	11MAR2021	BY	RICHARD MA
CHK	11MAR2021	NAME	RICHARD MA
TOLERANCE UNLESS OTHERWISE SPECIFIED		APPLICATION SPEC	
DIMENSIONS:	mm	PRODUCT SPEC	
0 R.C	+		
1 R.C	+		
2 R.C	+		
4 R.C	+		
FRACTIONS	+		
WEIGHT			
CUSTOMER DRAWING			

STE TE Connectivity

DDR4 SODIMM SOCKET  
0.5mm PITCH 260POS  
8.0mm HEIGHT REVERSE TYPE

SIZE A2

QTY 250

QTY 2

QTY 500

QTY \*

QTY \*-2309412-\*

QTY REEL/CARTON

QTY PCS/CARTON

QTY PCS/CARTON

QTY PART NUMBER

QTY 2309412

QTY 00779

QTY 2309412

QTY SCALE 2:1

QTY SHEET 3 of 3

QTY REV 5