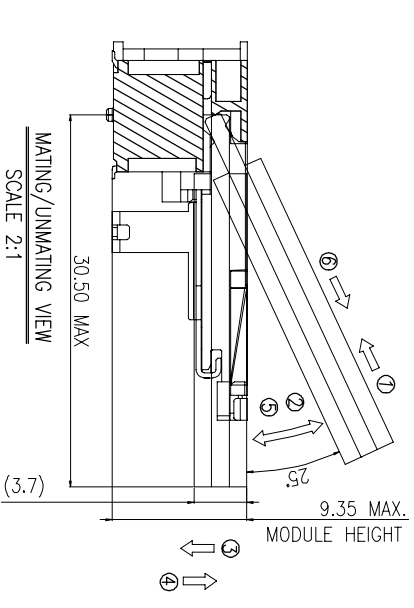
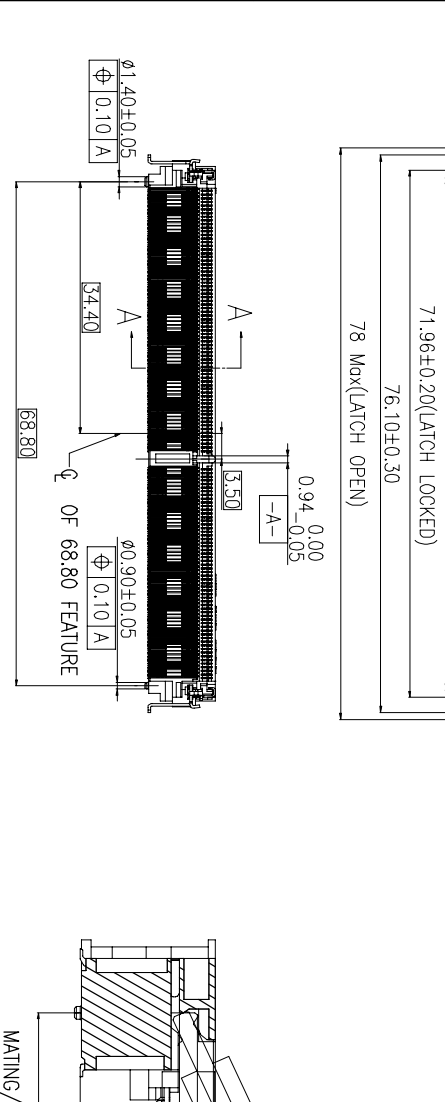
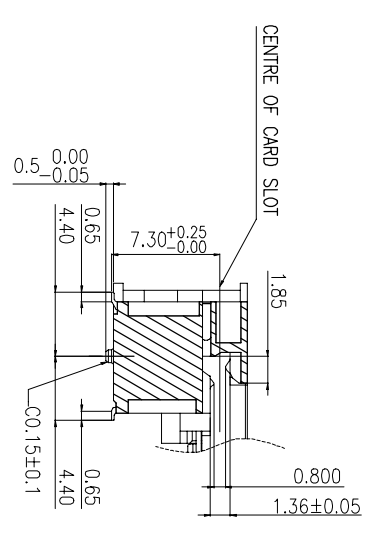


- NOTES:
1. MATERIAL:
 - 1.1 HOUSING: HIGH TEMPERATURE THERMO PLASTIC, UL94V-0, COLOR: BLACK.
 - 1.2 CONTACT: COPPER ALLOY.
 - 1.3 SOLDER PEG AND LATCH: STAINLESS STEEL.
 2. FINISH:
 - SOLDER PEG: GOLD FLASH ON 50u" MIN NICKEL UNDERPLATED ALL OVER.
 - CONTACT SOLDER AREA: GOLD FLASH ON 50u" MIN NICKEL UNDERPLATED ALL OVER.
 - 2.1 CONTACT AREA: GOLD FLASH ON 50u" MIN NICKEL UNDERPLATED ALL OVER.
 - 2.2 CONTACT AREA: 5u" ON 50u" MIN NICKEL UNDERPLATED ALL OVER.
 - 2.3 CONTACT AREA: 10u" ON 50u" MIN NICKEL UNDERPLATED ALL OVER.
 - 2.4 CONTACT AREA: 15u" ON 50u" MIN NICKEL UNDERPLATED ALL OVER.
 - 2.5 CONTACT AREA: 30u" ON 50u" MIN NICKEL UNDERPLATED ALL OVER.



MATING: ① INSERTING(25°) — ② ROTATING — ③ FIXED
 UNMATING: ④ UNFIXED — ⑤ ROTATING — ⑥ WITHDRAWING

MATING/UNMATING VIEW
 SCALE 2:1
 (7.3)



SECTION A-A
 SCALE 2:1

THIS DRAWING IS A CONTROLLED DOCUMENT.

DESCRIPTION	DATE	BY	APP'D
REVISED PER EOR-24-199188	14FEB2024	SSM/SPS	

REV	DATE	DESCRIPTION
5	14FEB2024	SSM/SPS

DIMENSIONS	TOLERANCES UNLESS OTHERWISE SPECIFIED:	MATERIAL	WEIGHT	CUSTOMER DRAWING
mm	± 0.25 ± 0.16 ± 0.10 ± 0.05	0 R.C. 1 R.C. 2 R.C. 3 R.C. 4 R.C.		

ITEM NO.	DESCRIPTION	QUANTITY	UNIT	WEIGHT
1	TAPE&REEL	1.2V	30u"	260
2	TAPE&REEL	1.2V	15u"	2309414-5
3	TAPE&REEL	1.2V	15u"	2309414-4
4	TAPE&REEL	1.2V	10u"	2309414-3
5	TAPE&REEL	1.2V	5u"	2309414-2
6	TAPE&REEL	1.2V	GF	2309414-1

DESCRIPTION	DATE	BY	APP'D
11MAR2021	11MAR2021	TE Connectivity	

DESCRIPTION	DATE	BY	APP'D
11MAR2021	11MAR2021	TE Connectivity	

DESCRIPTION	DATE	BY	APP'D
11MAR2021	11MAR2021	TE Connectivity	

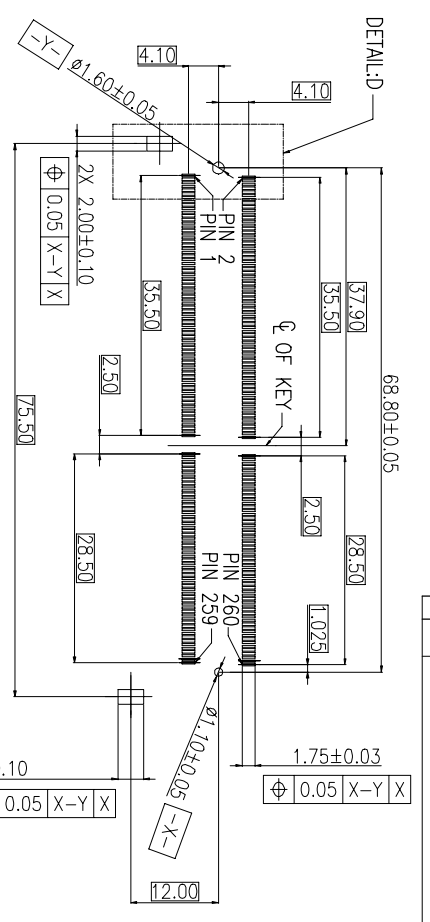
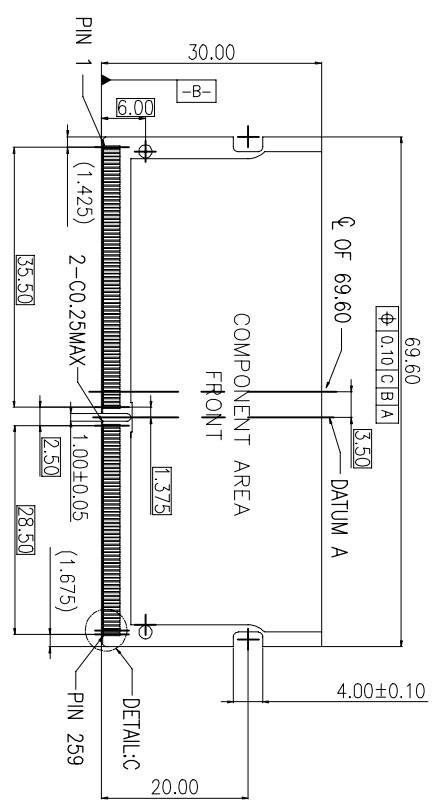
A

B

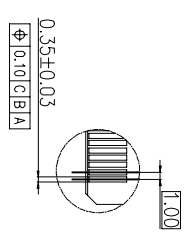
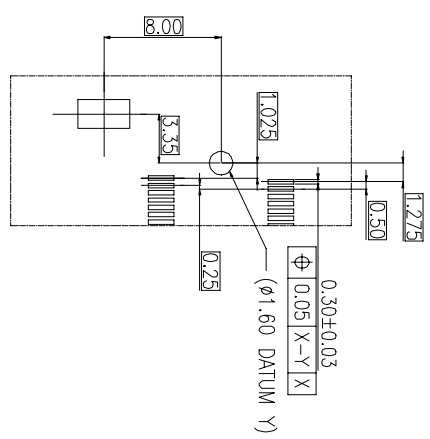
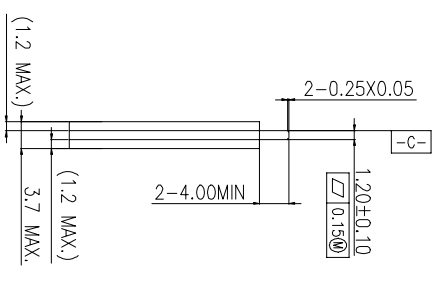
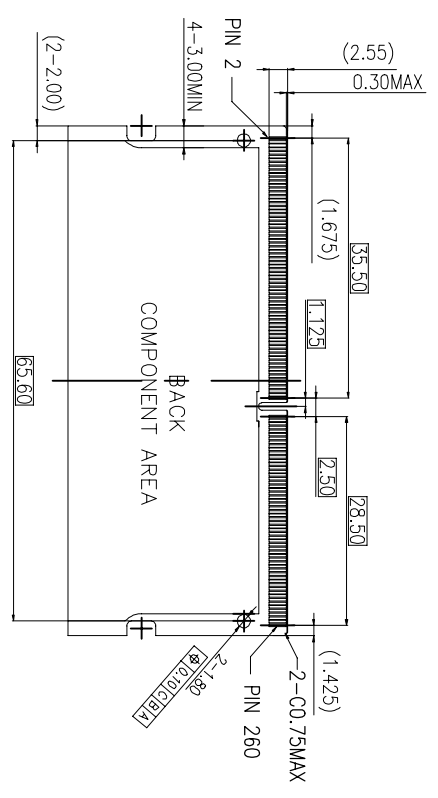
C

D

2309414



RECOMMEND PCB LAYOUT
THE TOLERANCE UNLESS SPECIFIED IS ±0.05MM



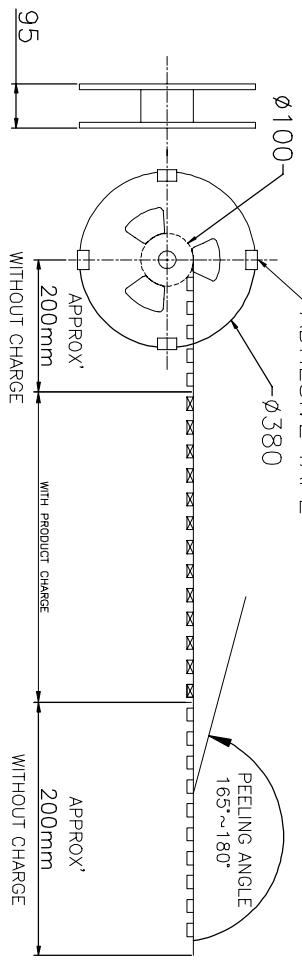
REVISIONS		DATE	OWN	APP'D
P	REV	DESCRIPTION		
-	-			

THIS DRAWING IS A CONTROLLED DOCUMENT.

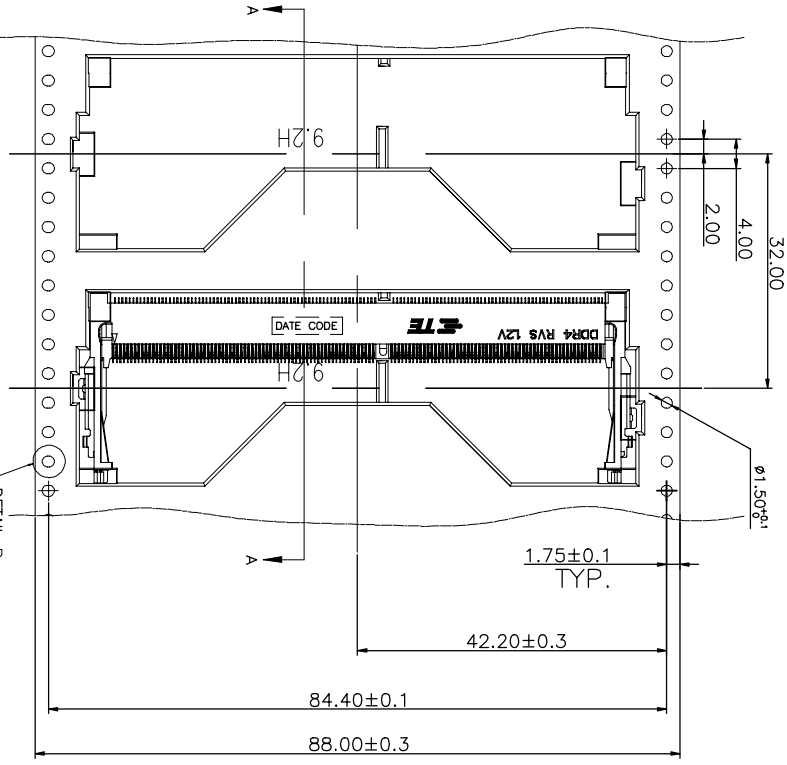
ENGR: DAVID ZHAO	11MAR2021	NAME	TE Connectivity
CHK: RICHARD MA	11MAR2021	PRODUCT SPEC	DDR4 SODIMM SOCKET
DRAWN: RICHARD MA	11MAR2021	0.5mm PITCH 260POS	
MATERIAL		9.2mm HEIGHT REVERSE TYPE	
		SIZE: A2	
		SCALE: 2:1	
		SHEET: 2 of 3	
		REV: 5	

2309414

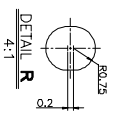
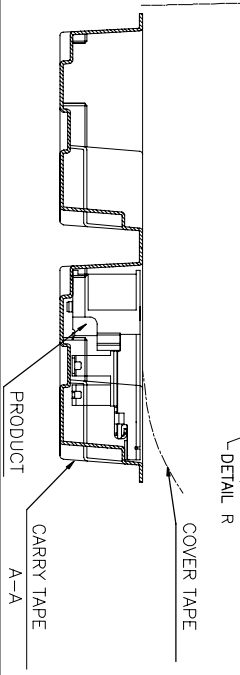
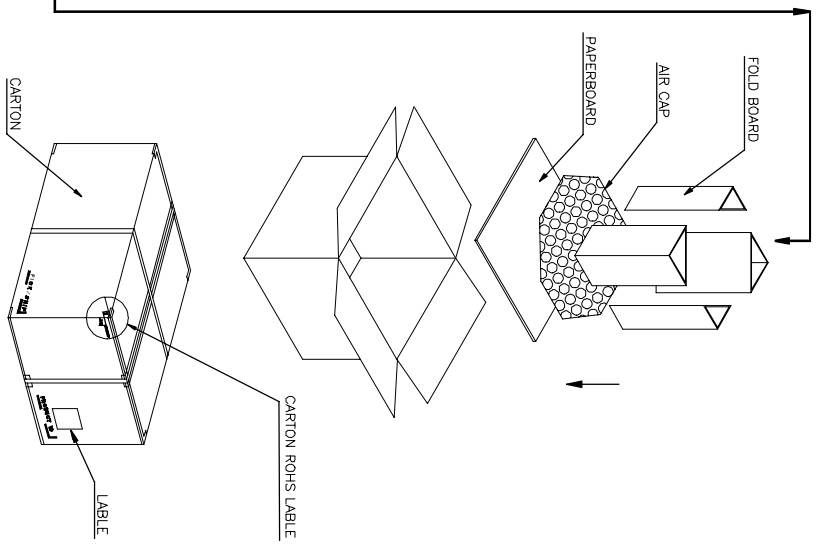
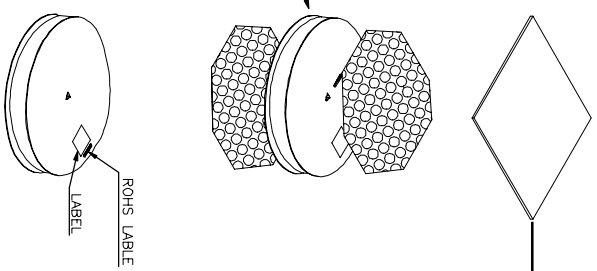
REVISIONS		DATE	BY	APP'D
P	LINE			
	DESCRIPTION			



PULL OUT DIRECTION



REEL TOTAL 2 LAYERS



THIS DRAWING IS A CONTROLLED DOCUMENT.

DIMENSIONS:	TOLERANCES UNLESS OTHERWISE SPECIFIED:	DATE	BY	APP'D
mm	0 R.C. ±	11MAR2021	RICHARD MA	
	1 R.C. ±			
	2 R.C. ±			
	3 R.C. ±			
	4 R.C. ±			
	5 R.C. ±			
	6 R.C. ±			
	7 R.C. ±			
	8 R.C. ±			
	9 R.C. ±			
	10 R.C. ±			

NAME	DR4 SODIMM SOCKET
PRODUCT SPEC	0.5mm PITCH 260POS
APPLICATION SPEC	9.2mm HEIGHT REVERSE TYPE
SIZE	A2
DATE	00779
DRAWING NO.	2309414
RESTRICTED?	NO

TE Connectivity

PCS/ REEL/ CARTON	2	500	*-2309414-*
REEL/ CARTON			
PCS/ CARTON			
PART NUMBER			

CUSTOMER DRAWING

2309414