

THIS DRAWING IS UNPUBLISHED.

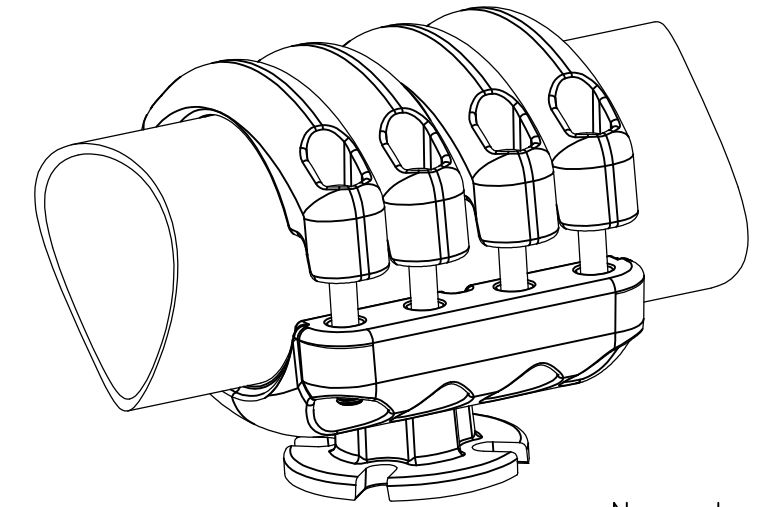
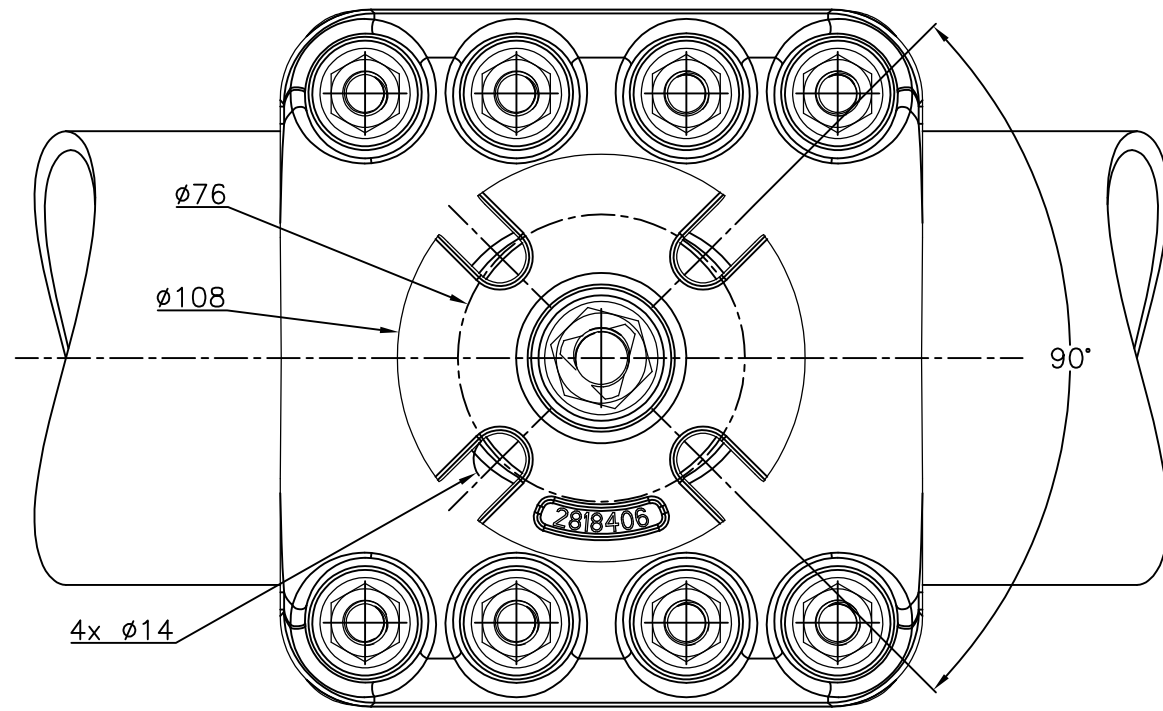
RELEASED FOR PUBLICATION

ALL RIGHTS RESERVED.

© COPYRIGHT - By -

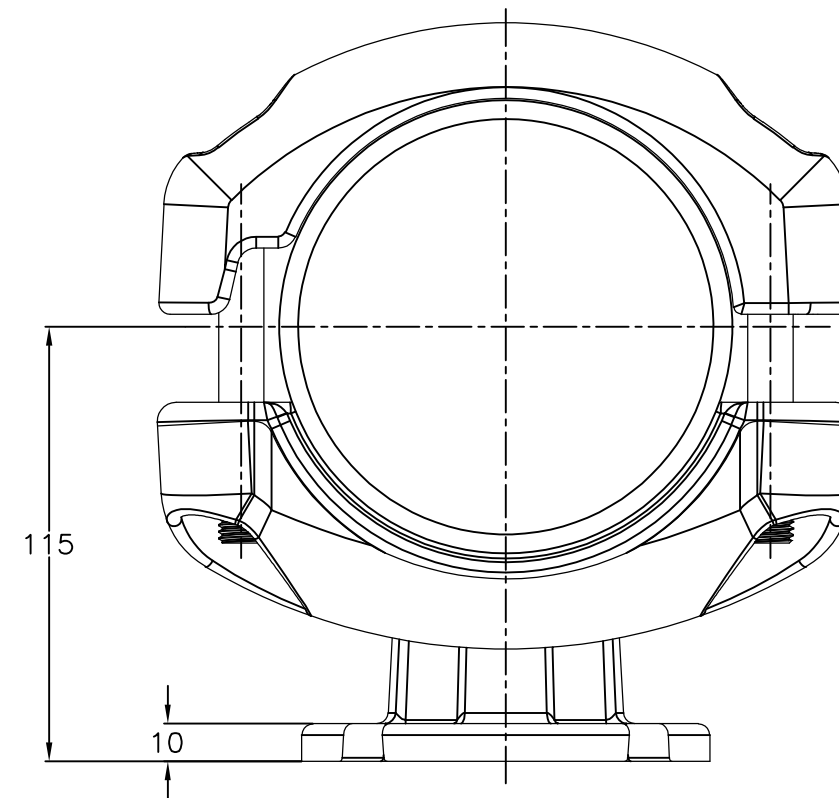
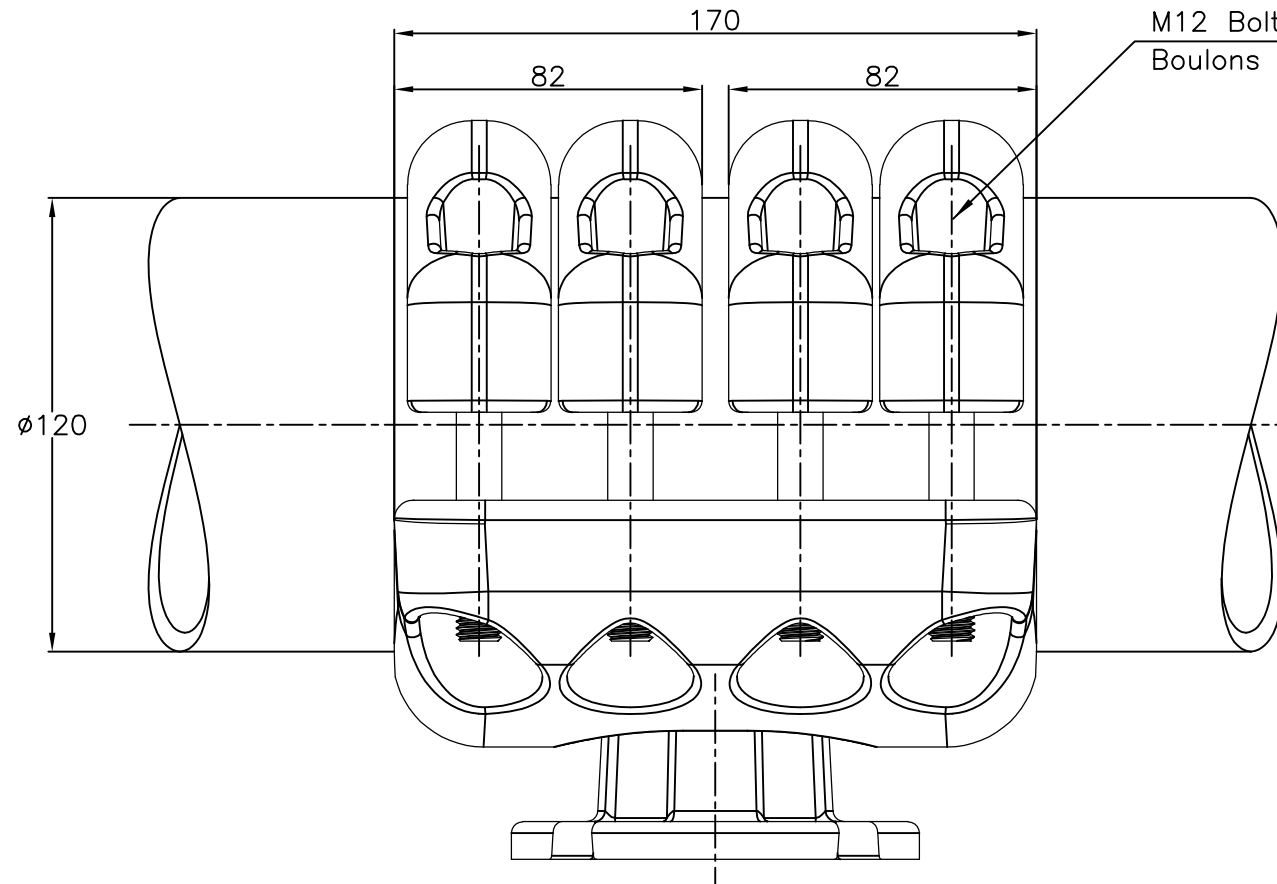
REVISIONS

P	LTR	DESCRIPTION	DATE	DWN	APVD
	A	CREATION	05-Oct-16	PG	-




No scale
Sans échelle

M12 Bolts stainless steel A2: 60Nm
Boulons M12 acier inoxydable A2: 60Nm



ITEM:.....

THIS DRAWING IS A CONTROLLED DOCUMENT.		DWN	GARNIER P.	05-Oct-16	 TE Connectivity						
DIMENSIONS: mm		CHK	-	-							
TOLERANCES UNLESS OTHERWISE SPECIFIED:		APVD	-	-	NAME						
<ul style="list-style-type: none"> 0 PLC ± - 1 PLC ± - 2 PLC ± - 3 PLC ± - 4 PLC ± - ANGLES ± - 		PRODUCT SPEC		BUS JUNCTION SUPPORT FOR TUBE							
MATERIAL		108-69090-001		SUPPORT JONCTION POUR TUBE							
FINISH		APPLICATION SPEC		5 TJ 82 P3 T120							
-		APPROX.WEIGHT	6.3 kg	SIZE	A3	CAGE CODE	00779	DRAWING NO	C=2309821	RESTRICTED TO	-
-		CUSTOMER DRAWING		SCALE	1/2	SHEET	1 OF 1	REV	A		