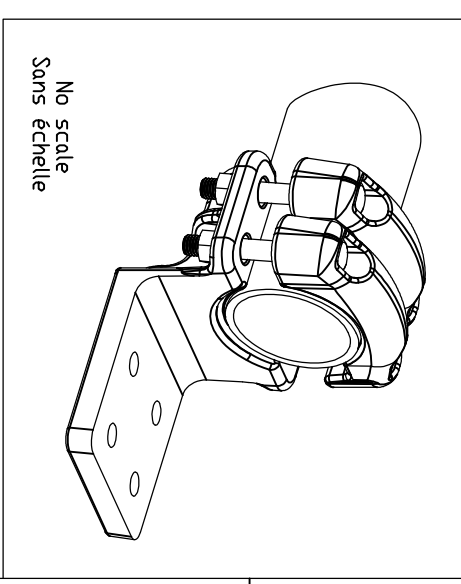
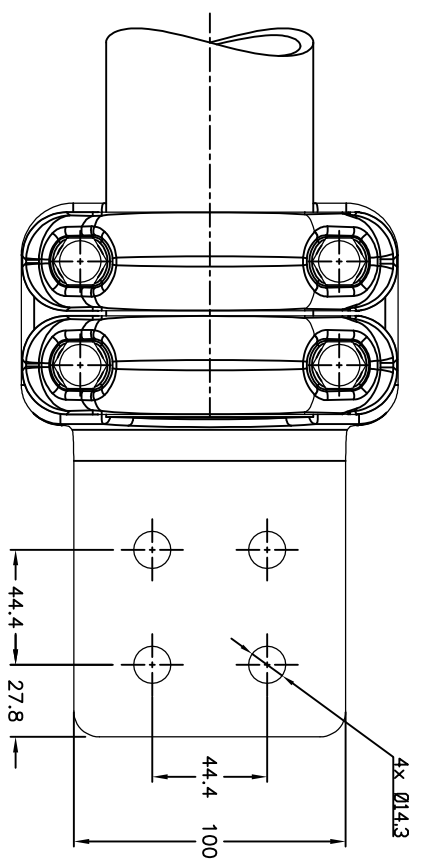
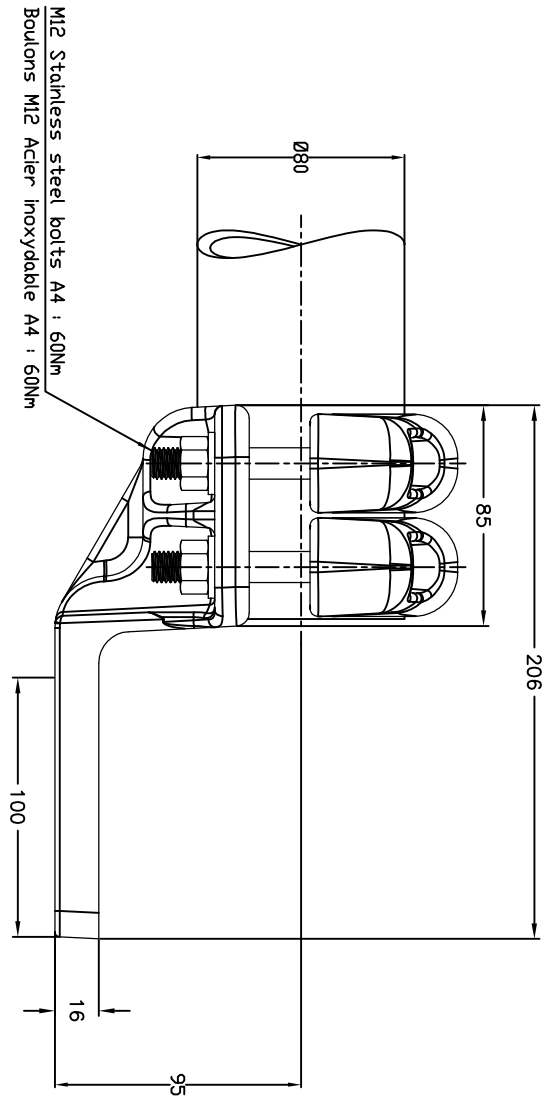


THIS DRAWING IS UNPUBLISHED.  
 © COPYRIGHT - By -  
 RELEASED FOR PUBLICATION  
 ALL RIGHTS RESERVED

REVISIONS			
P	LTR	DESCRIPTION	DATE
A		CREATION	03-Oct-16
			UPM



No scale  
 Sans échelle

THIS DRAWING IS A CONTROLLED DOCUMENT.

DIMENSIONS:	mm	TOLERANCES UNLESS OTHERWISE SPECIFIED:
0 PLC		±
1 PLC		±
2 PLC		±
3 PLC		±
4 PLC		±
ANGLES		±
FINISH		±

DMN	MOYEUX	03-Oct-16
CHK		
APVD		
PRODUCT SPEC	108-69094-001	
APPLICATION SPEC		
APPROX WEIGHT	2.3 kg	

**STE** TE Connectivity

NAME: BUSBAR CONNECTOR TO HORIZONTAL PAD  
 RACCORRD TUBE SUR PLAGÉ DÉPORTÉE  
 5 TTPD 84 T80 100 C290

SIZE	A3	CAGE CODE	00779	DRAWING NO	2310057	RESTRICTED TO
CUSTOMER DRAWING		SCALE	1:2	SHEET	1 of 1	REV

ITEM: .....