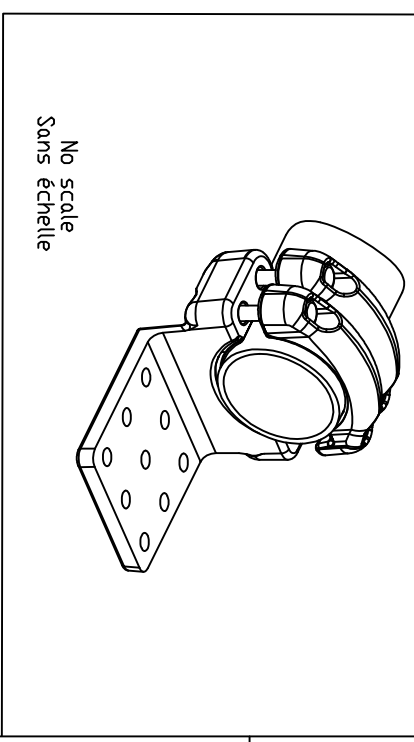
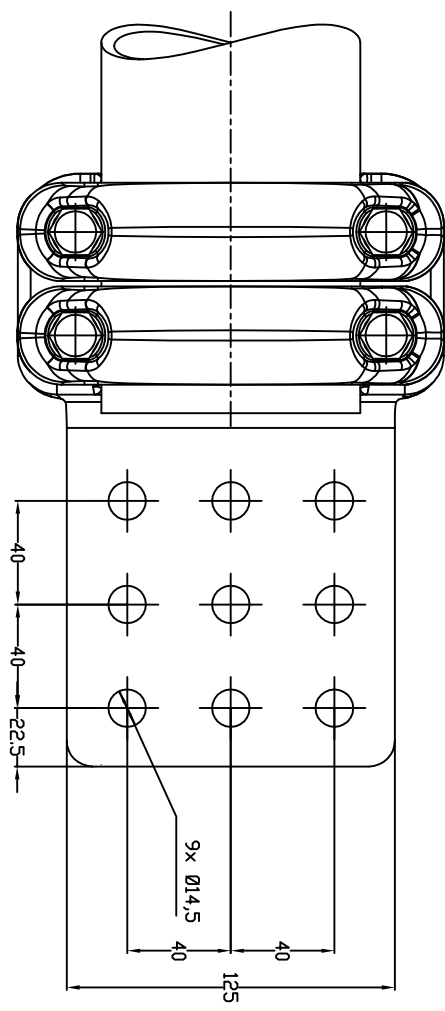
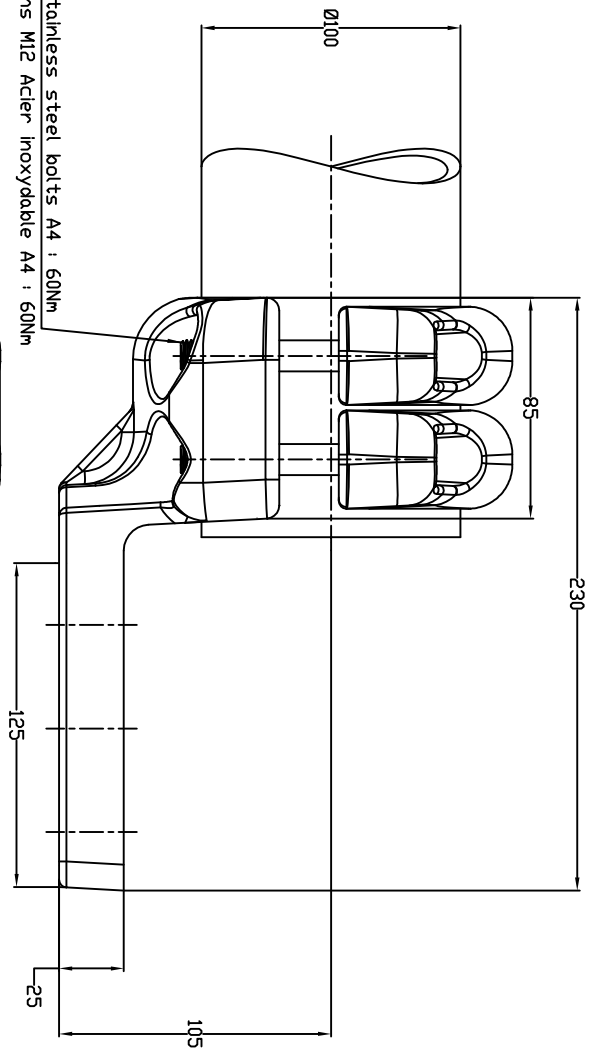


THIS DRAWING IS UNPUBLISHED.
 © COPYRIGHT - By -
 RELEASED FOR PUBLICATION
 ALL RIGHTS RESERVED

| REVISIONS | | | |
|-----------|-----|-------------|-----------|
| P | LTR | DESCRIPTION | DATE |
| A | | CREATION | 03-Oct-16 |
| | | | UPM |



THIS DRAWING IS A CONTROLLED DOCUMENT.

| | |
|-------------|--|
| DIMENSIONS: | TOLERANCES UNLESS OTHERWISE SPECIFIED: |
| mm | 0 P/C ± |
| | 1 P/C ± |
| | 2 P/C ± |
| | 3 P/C ± |
| | 4 P/C ± |
| | ANGLES ± |
| MATERIAL | FINISH |
| - | - |

| | |
|------------------|---------------|
| DM | 03-Oct-16 |
| CHK | MOYEUX |
| APVD | - |
| PRODUCT SPEC | 108-69094-001 |
| APPLICATION SPEC | - |
| APPROX WEIGHT | 3,4 kg |

| | |
|------------------|------------------------------|
| NAME | PAD CONNECTOR FOR Ø100 |
| PRODUCT SPEC | RACCORD PLAGÉ POUR TUBE Ø100 |
| APPLICATION SPEC | 5 TTPD 84 T100 125X25 C258 |
| SIZE | A3 |
| QAGE CODE | 00779 |
| DRAWING NO | G=2310060 |
| RESTRICTED TO | - |



| | | | | | | | | |
|------------------|-------|-----|-------|---|----|---|-----|---|
| CUSTOMER DRAWING | SCALE | 1:2 | SHEET | 1 | OF | 1 | REV | A |
|------------------|-------|-----|-------|---|----|---|-----|---|

ITEM: