

THIS DRAWING IS UNPUBLISHED.

RELEASED FOR PUBLICATION

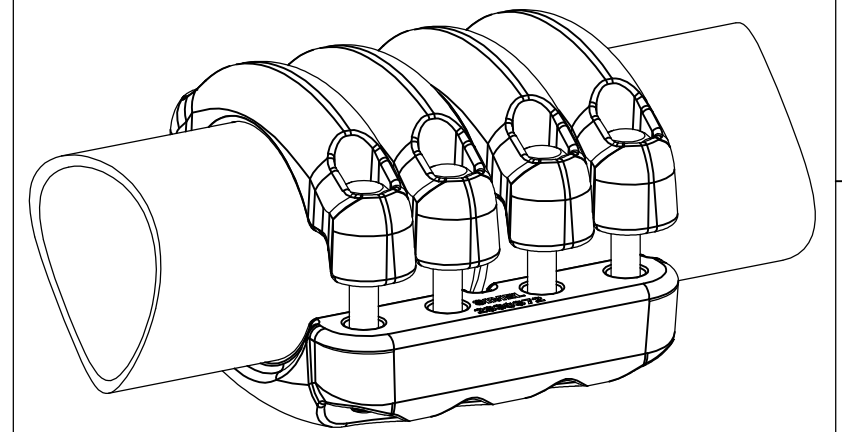
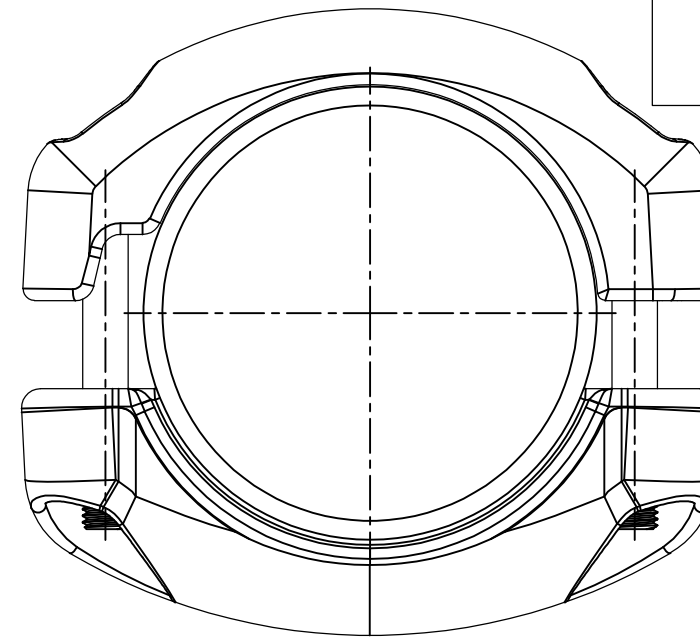
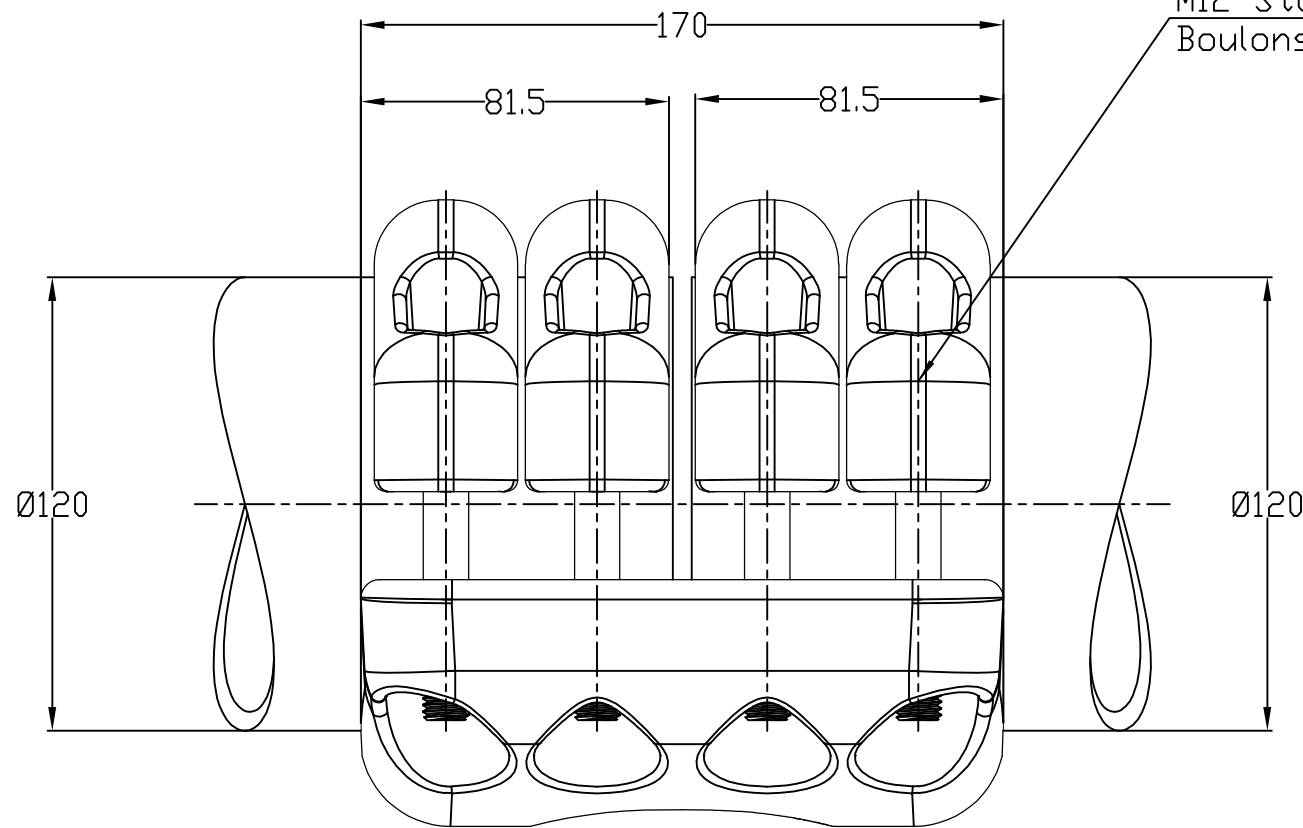
ALL RIGHTS RESERVED.

© COPYRIGHT - By -

REVISIONS


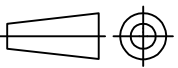
P	LTR	DESCRIPTION	DATE	DWN	APVD
	A	CREATION	04-Oct-16	JPM	-

M12 Stainless steel Bolts A4 : 60Nm  
 Boulons M12 acier inoxydable A4: 60Nm



No scale  
 Sans échelle

ITEM:.....

THIS DRAWING IS A CONTROLLED DOCUMENT.		DWN	04-Oct-16		 <b>TE Connectivity</b>
		CHK	-		
		APVD	-		
		PRODUCT SPEC	-		
DIMENSIONS:	TOLERANCES UNLESS OTHERWISE SPECIFIED:	108-69094-001		NAME	
mm		APPLICATION SPEC		BUS JUNCTION SUPPORT FOR TUBE Ø120	
	0 PLC ± -	-		SUPPORT JONCTION POUR TUBE Ø120	
	1 PLC ± -	-		5 TJ 84 T120	
	2 PLC ± -	-		SIZE	CAGE CODE
	3 PLC ± -	-		DRAWING NO	
	4 PLC ± -	-		RESTRICTED TO	
	ANGLES ± -	-		-	
MATERIAL	FINISH	APPROX.WEIGHT	2.6 kg		A300779
-	-	CUSTOMER DRAWING		SCALE	1:2
				SHEET	1 OF 1
				REV	A