

THIS DRAWING IS UNPUBLISHED.

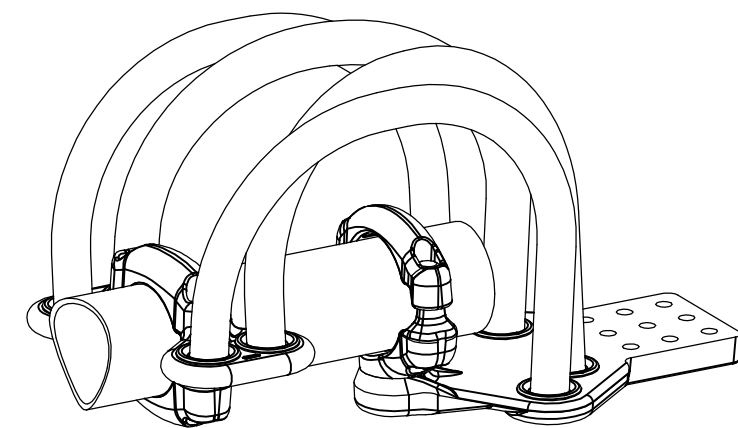
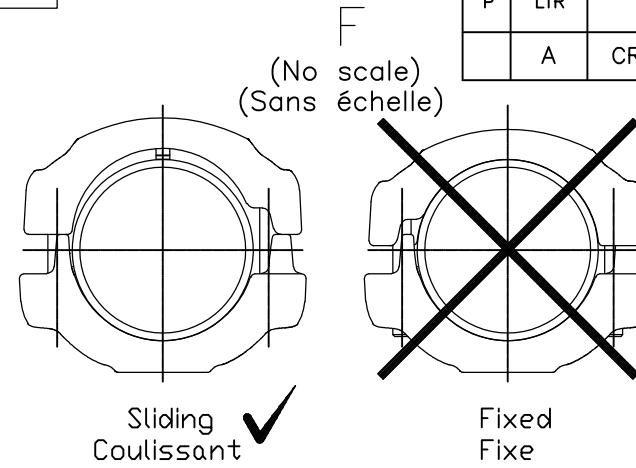
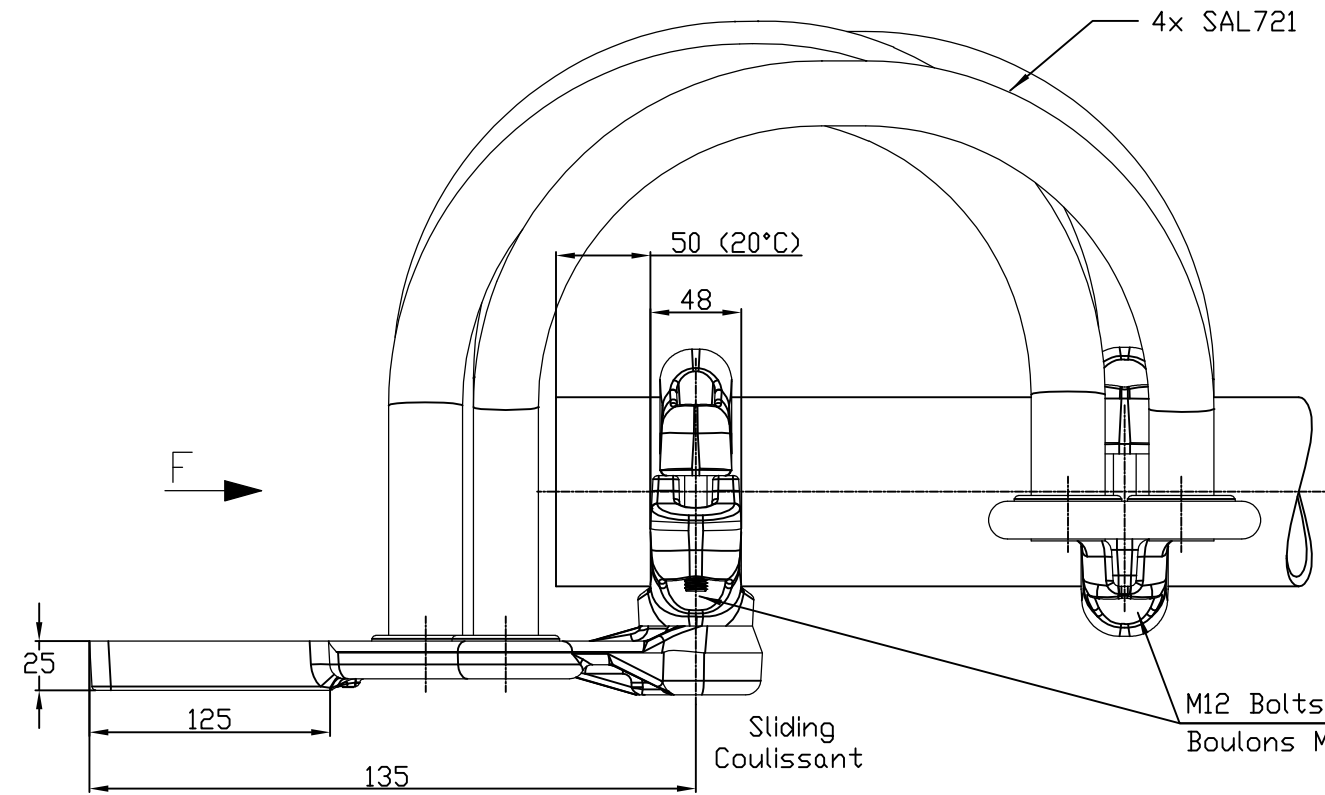
RELEASED FOR PUBLICATION

ALL RIGHTS RESERVED.

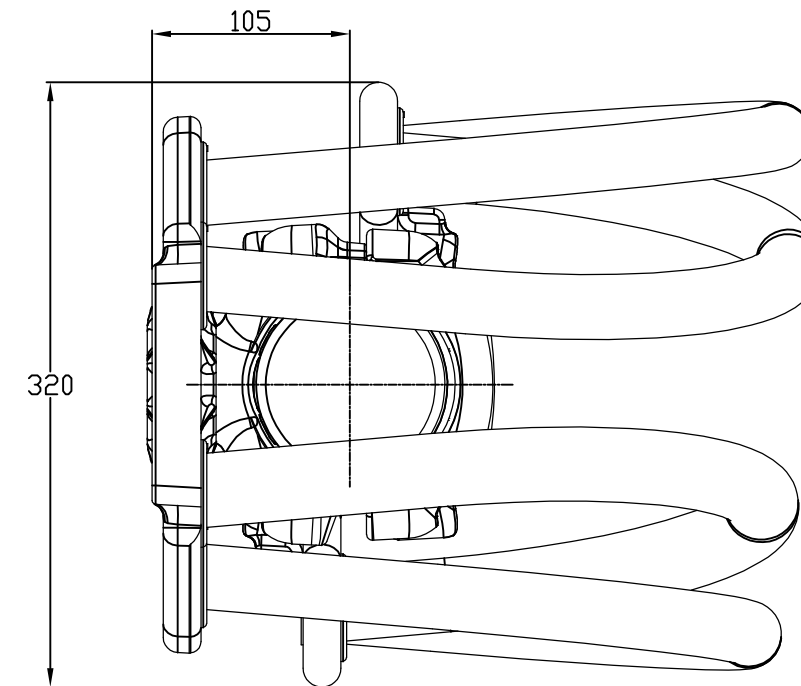
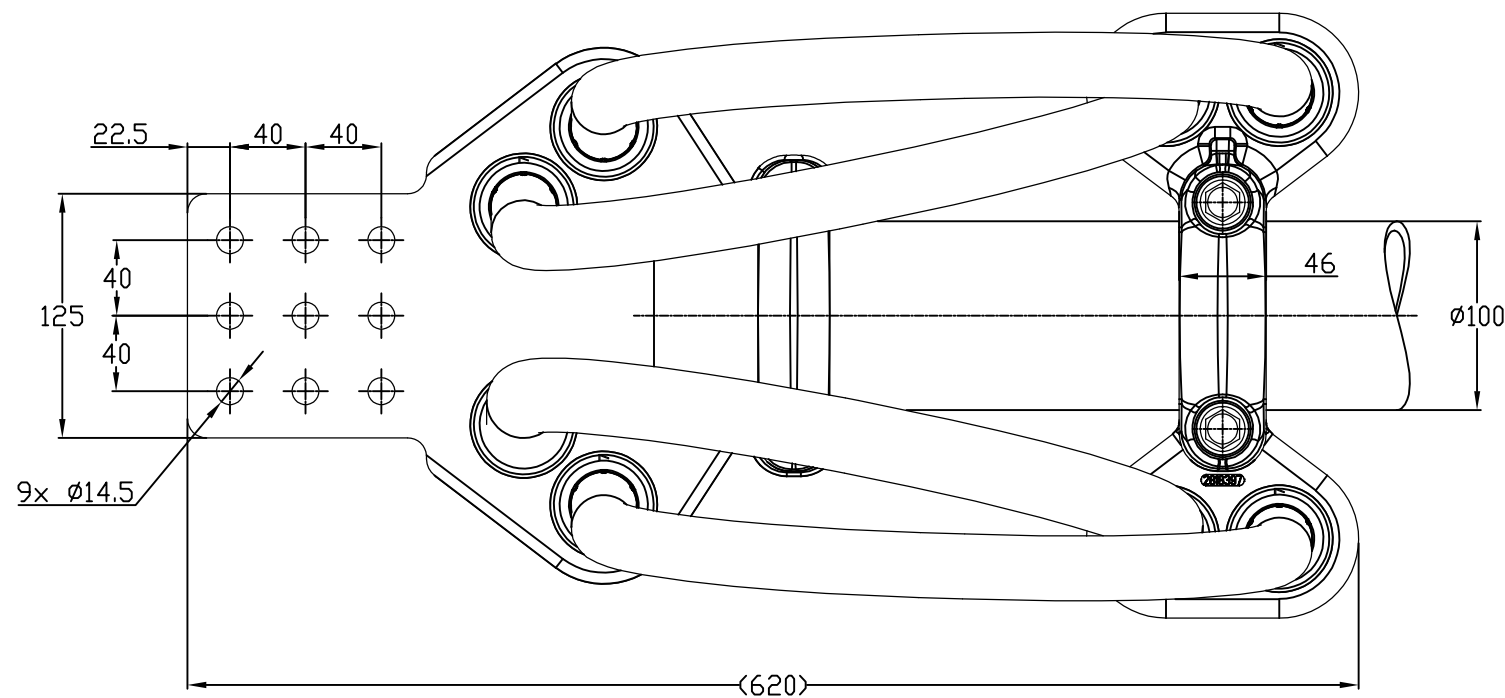
© COPYRIGHT - By -

REVISIONS

P	LTR	DESCRIPTION	DATE	DWN	APVD
	A	CREATION	4-Oct-16	JPM	-



No scale
Sans échelle



ITEM:.....

THIS DRAWING IS A CONTROLLED DOCUMENT.

DWN MOYEUR 4-Oct-16

CHK -

APVD -

PRODUCT SPEC

108-69094-001

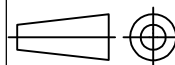
APPLICATION SPEC

-

APPROX.WEIGHT 13.2 kg

CUSTOMER DRAWING

DIMENSIONS:
mm



MATERIAL

TOLERANCES UNLESS OTHERWISE SPECIFIED:

0 PLC	± -
1 PLC	± -
2 PLC	± -
3 PLC	± -
4 PLC	± -
ANGLES	± -
FINISH	-



NAME EXPANSION CONNECTOR FOR TUBE TO PAD

RACCORD A DILATATION POUR TUBE SUR PLAGE

5 TTPDL 84 T100 125 C258 47

SIZE CAGE CODE DRAWING NO RESTRICTED TO

A3 00779 C=2310085 -

SCALE 1:4 SHEET 1 OF 1 REV A