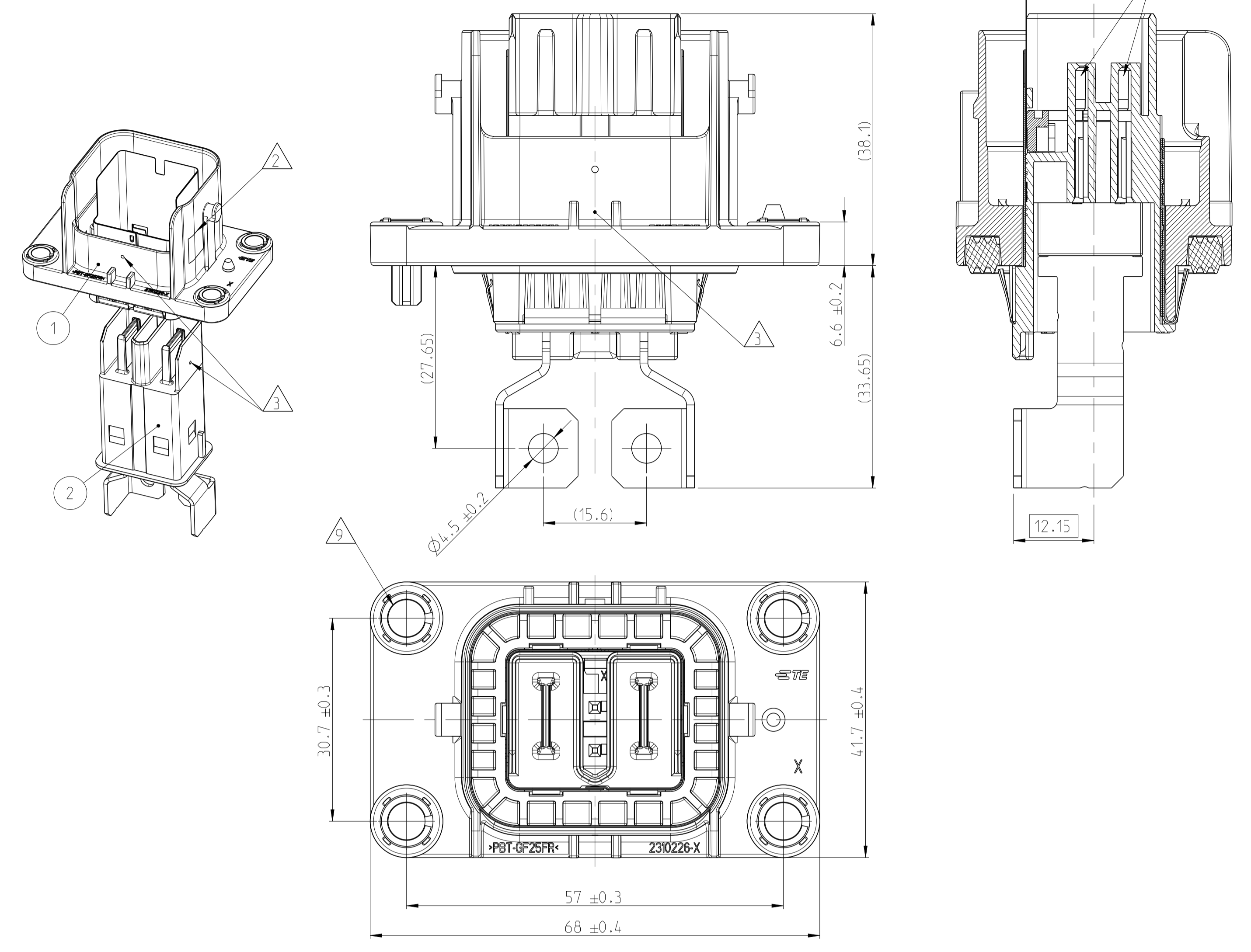
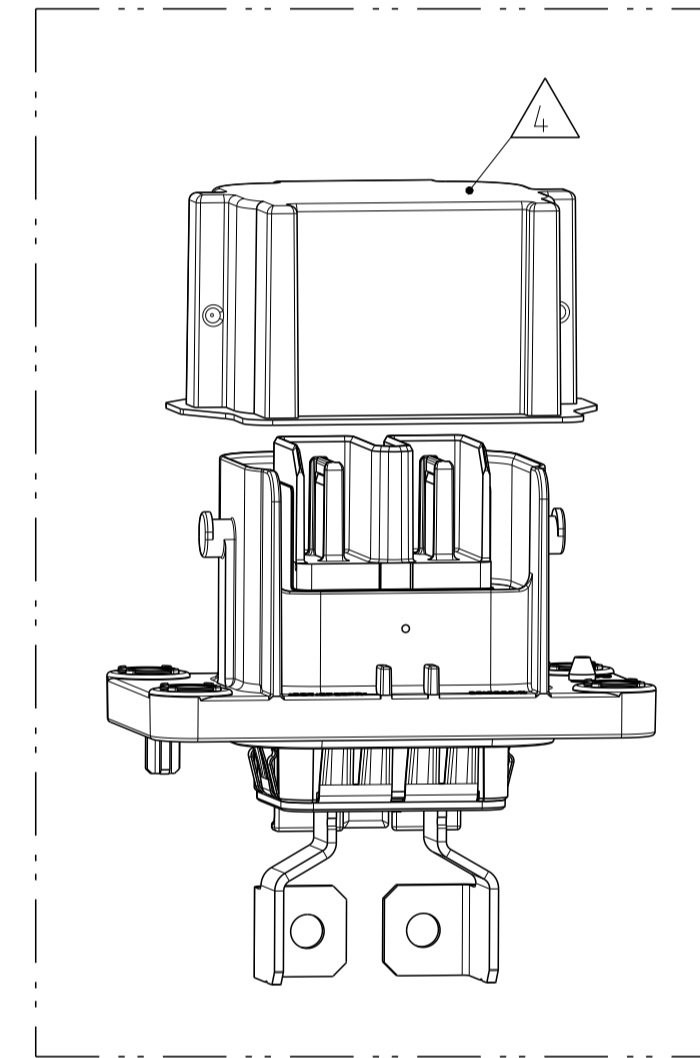
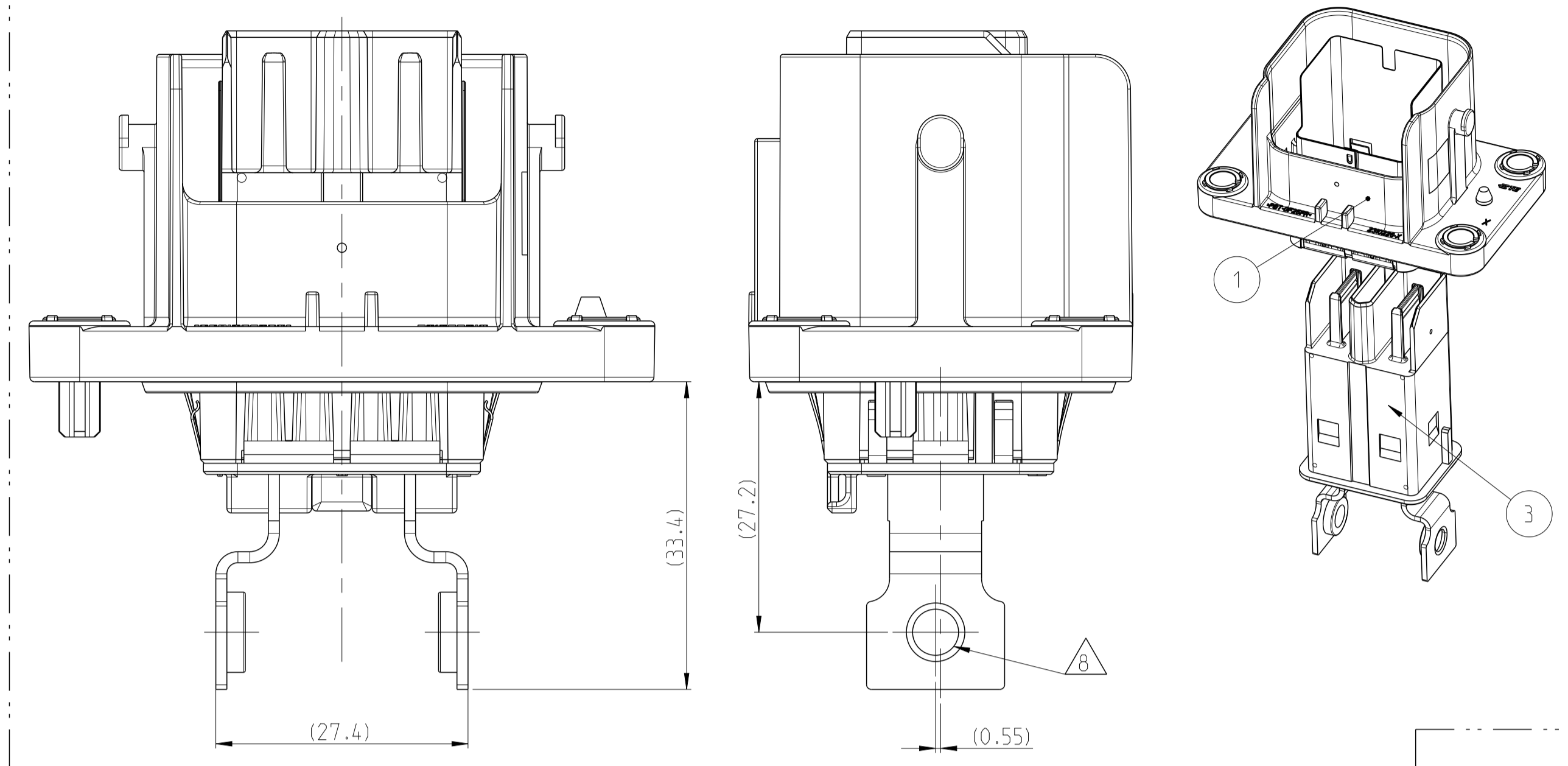


REVISIONS				
P	LTM	DESCRIPTION	DATE	APVD
A2		SEE PCN E-19-010590	05JUL2019	GH HR
A3		SEE PCN E-19-015028	25SEP2019	GH HR
A4		SEE PCN E-19-016309	10MAR2020	GH HR
B		SEE PCN E-20-010846	01SEP2020	GH HR

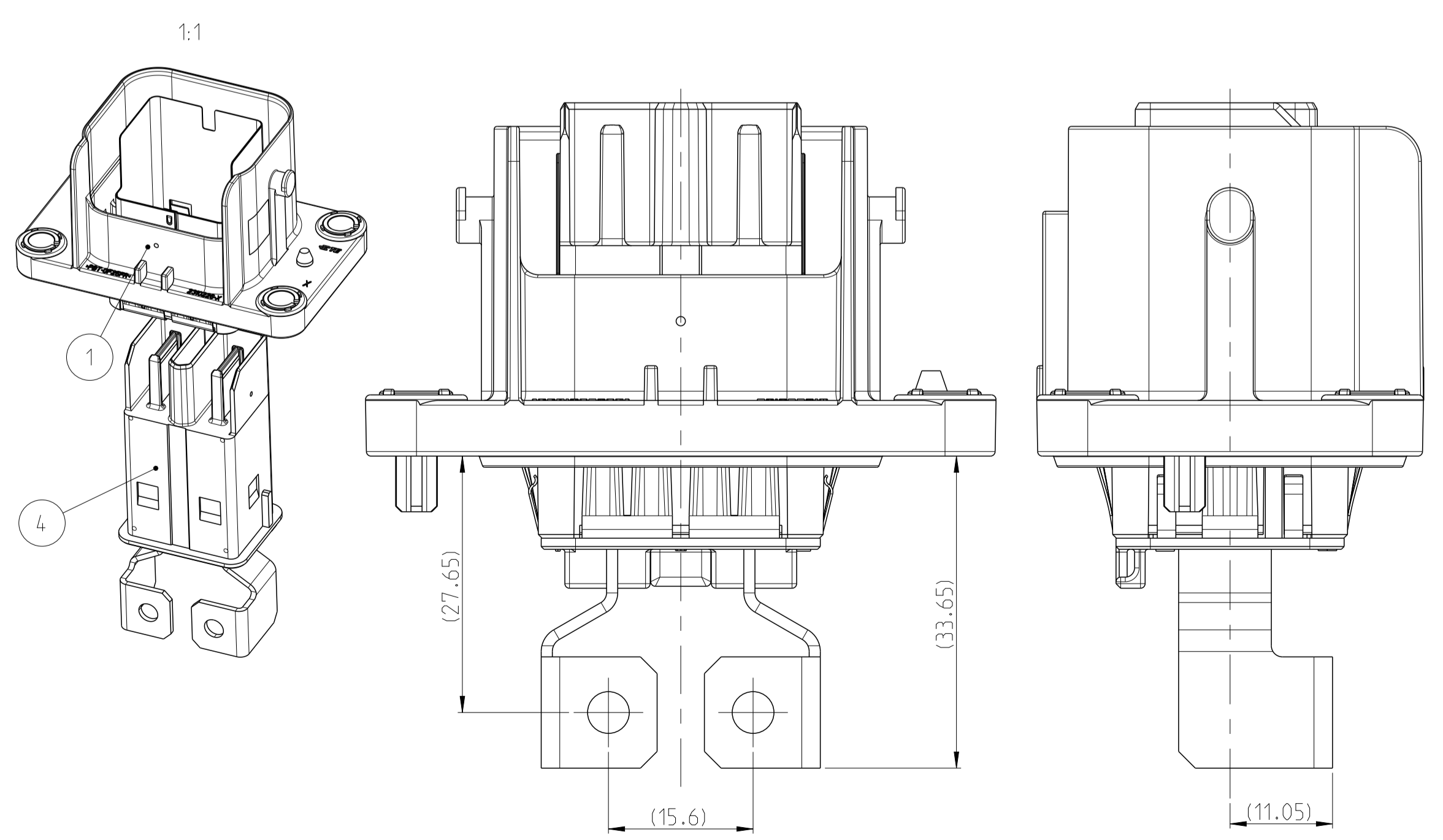
**1-2310224-X AS SHOWN**



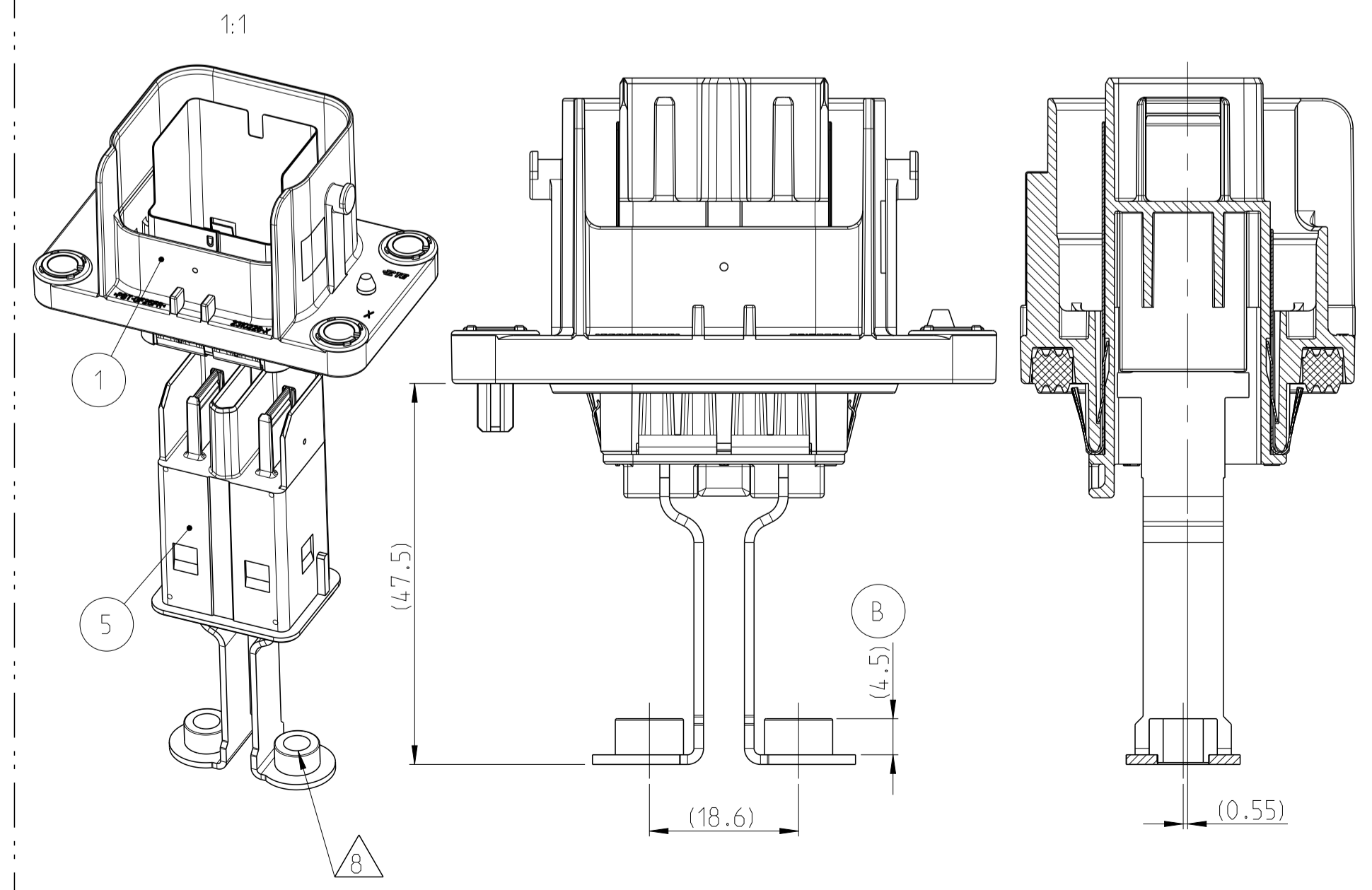
**2-2310224-X AS SHOWN**  
 MISSING DIMENSIONS SEE 1-2310224-X



**3-2310224-X AS SHOWN**  
 MISSING DIMENSIONS SEE 1-2310224-X



**5-2310224-X AS SHOWN**  
 MISSING DIMENSIONS SEE 1-2310224-X

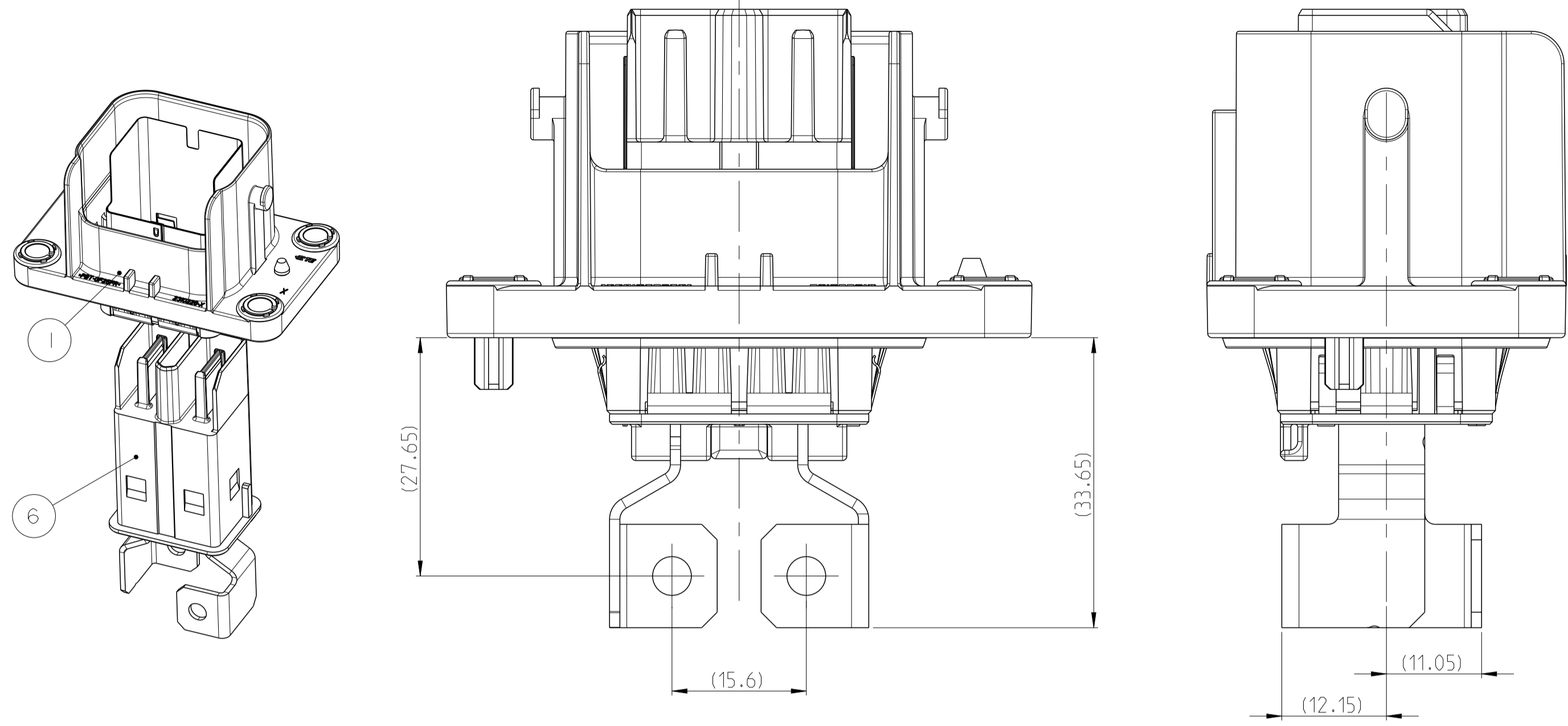


**NOTES**

- 1 MATING CONNECTOR SEE 2311753 AND 2310213
- 2 PRINTED DATAMATRIX-CODE CONTAINING PRODUCTION DATE (YEAR, MONTH, DAY), REVISION OF THE ASSEMBLY ACCORDING TABLE, CODING, PART NO., PIECES COUNT, PRODUCTION LOCATION COD
- 3 MARKING OF GOOD PIECES AFTER SUCCESSFULLY PASSED FINAL CHECK
- 4 OPTIONAL PROTECTION COVER 2328607-1 FOR ALL VEERIONS TO BE PURCHASED SEPARATELY
- 5 SUITABLE SIGNAL TERMINALS FOR THE INTERLOCK: TE PN 5-928999-6 (0.25-0.35mm<sup>2</sup>) AND 5-963715-6 (0.5-0.75mm<sup>2</sup>) BOTH SILVER PLATED
- 6 TPA IN PRE-LOCKED POSITION
- 7 HOUSING MATERIAL ACCORDING UL94 CLASS V0
- 8 USE SCREWS M5 WITH A LENGTH OF MIN. 5mm + THICKNESS OF THE MATING PART TIGHTENING TORQUE 5±0.5Nm
- 9 MOUNTING SCREW Ø5mm WITH HEAD DIAMETER MIN. 10mm / MAX. 12mm RECOMENDED TIGHTENING TORQUE 5±0.5Nm

THIS DRAWING IS A CONTROLLED DOCUMENT.		OWN: G. HOIEA 15DEC2017	TE Connectivity
		CHK: H. RIPPER 15DEC2017	
DIMENSIONS:	TOLERANCES UNLESS OTHERWISE SPECIFIED:	APVD:	NAME: HVA1200 HEADER ASSEMBLY
mm	0 PLC # # # #	PRODUCT SPEC	SIZE: CAGE CODE DRAWING NO
	1 PLC # # # #	108-94749	RESTRICTED TO
	2 PLC # # # #	APPLICATION SPEC	
	3 PLC # # # #	114-94515	SCALE: 2:1 SHEET 1 OF 3 REV B
	4 PLC # # # #	WEIGHT: SEE TABLE	
	ANGLES # # # #	CUSTOMER DRAWING	
	FINISH # # # #		

6-2310224-X AS SHOWN  
 MISSING DIMENSIONS SEE 1-2310224-X

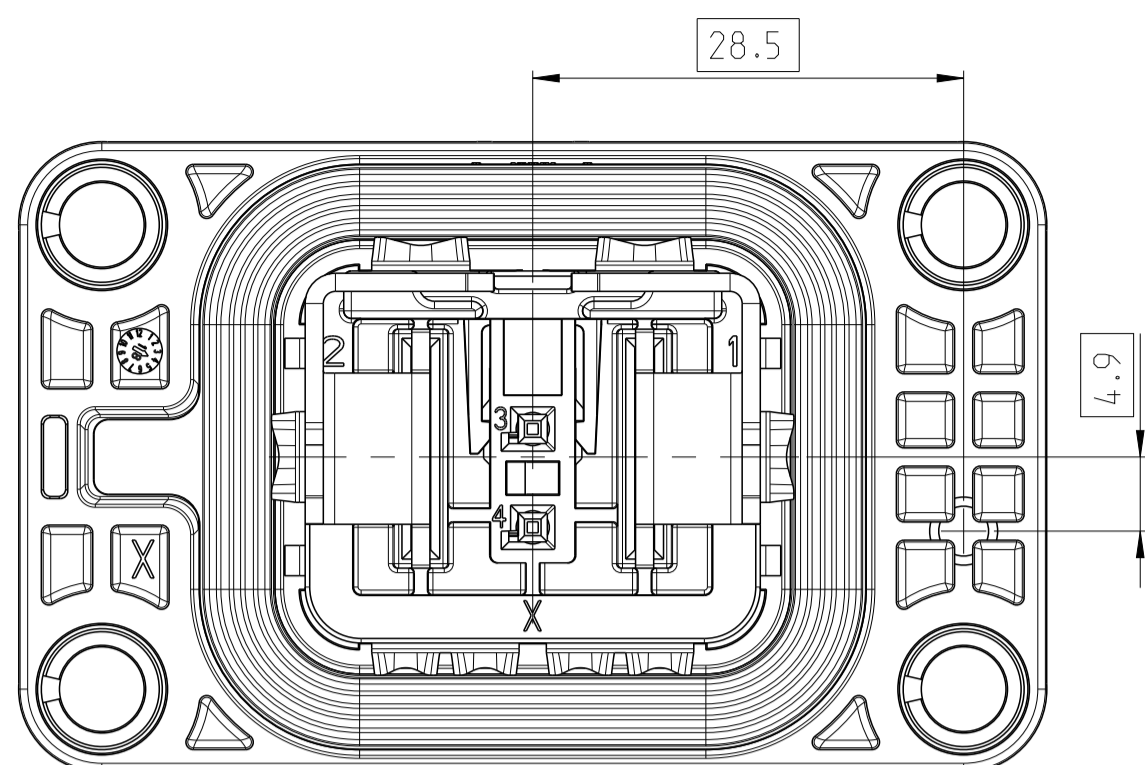
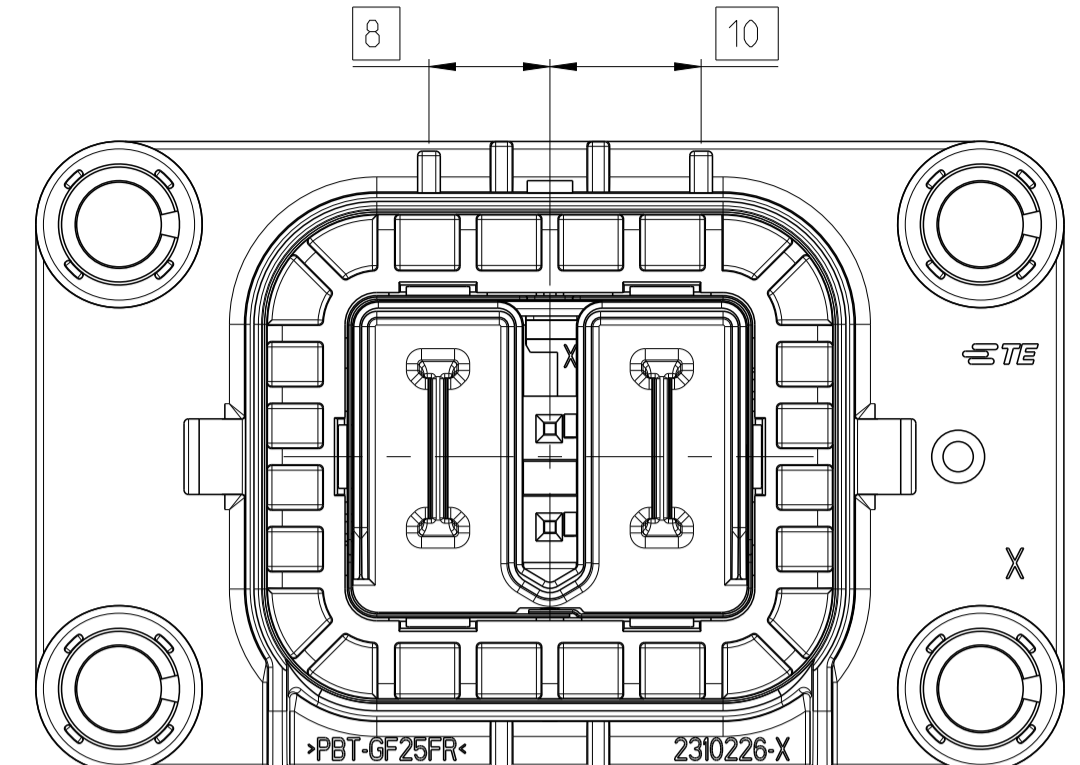
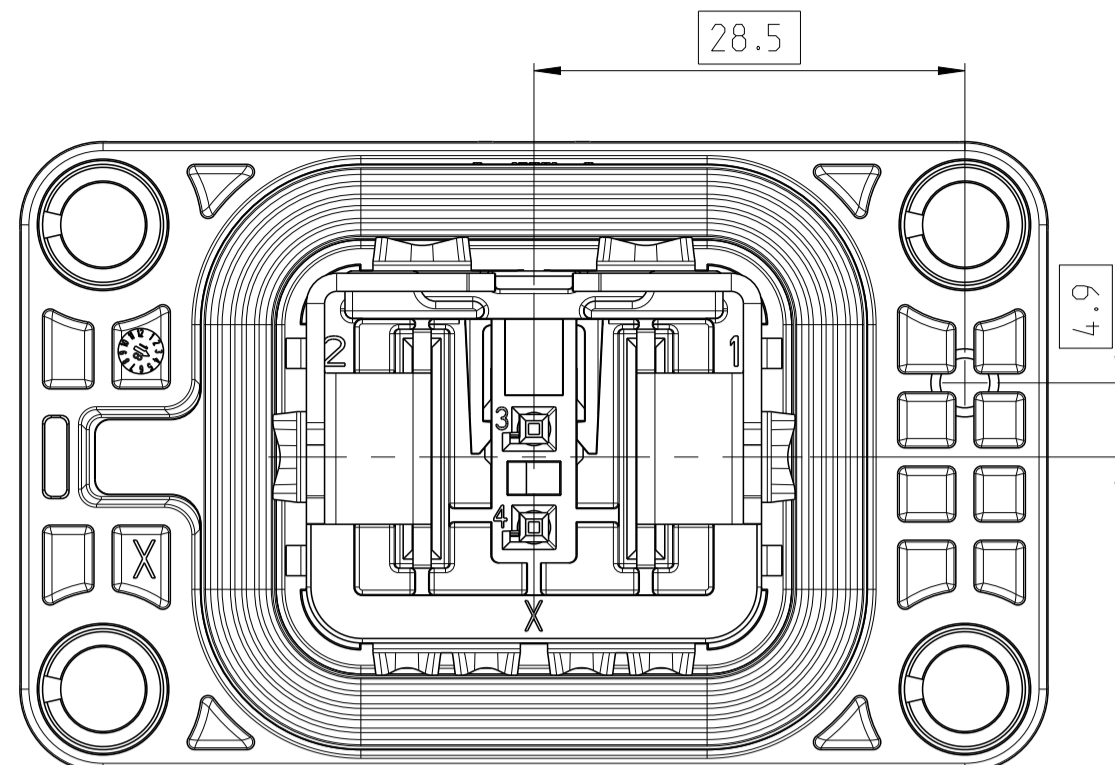
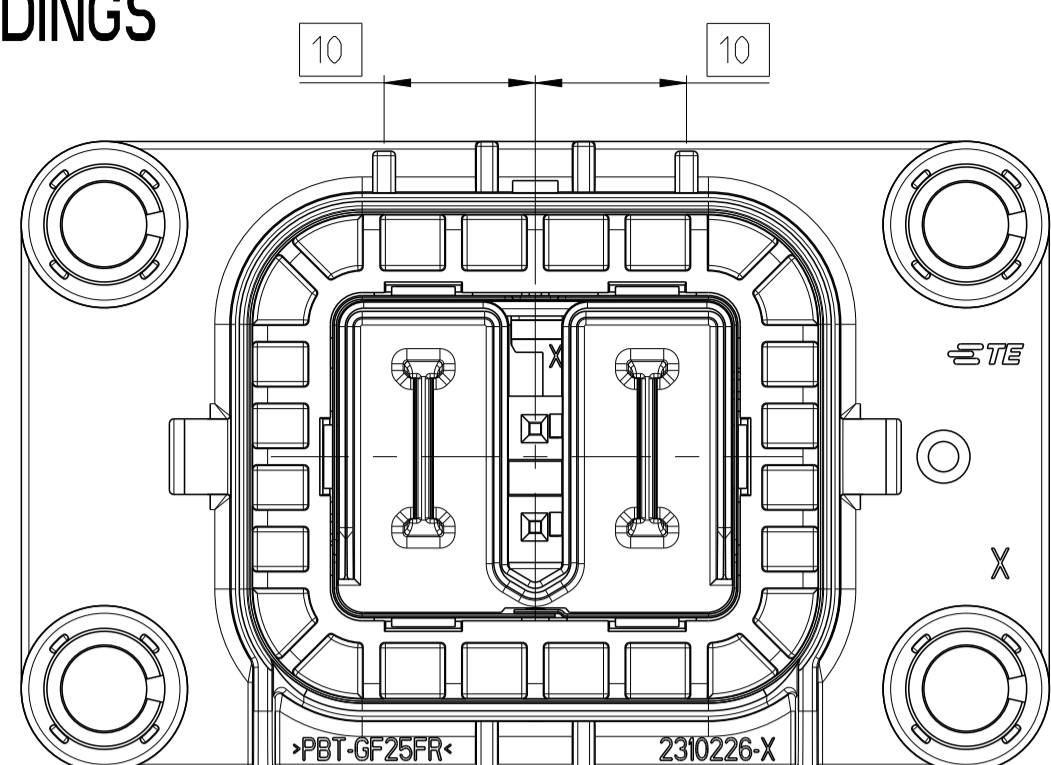


REVISIONS				
P.	LTN	DESCRIPTION	DATE	APVD
-	-	SEE SHEET 1	-	-

THIS DRAWING IS A CONTROLLED DOCUMENT.		DWN: G. HOIEA 15DEC2017 CHK: H. RIPPER 15DEC2017 APVD: -			
DIMENSIONS: mm 		TOLERANCES UNLESS OTHERWISE SPECIFIED: 0 PLC # 1 PLC # 2 PLC # 3 PLC # 4 PLC # ANGLES #° FINISH #		NAME: HVA1200 HEADER ASSEMBLY PRODUCT SPEC: 108-94749 APPLICATION SPEC: 114-94515 WEIGHT: SEE TABLE CUSTOMER DRAWING	SIZE: A1 CAGE CODE: 00779 DRAWING NO: ©=2310224 RESTRICTED TO: B
MATERIAL: -		SCALE: 2:1		SHEET: 2 OF 3	
REV: B					

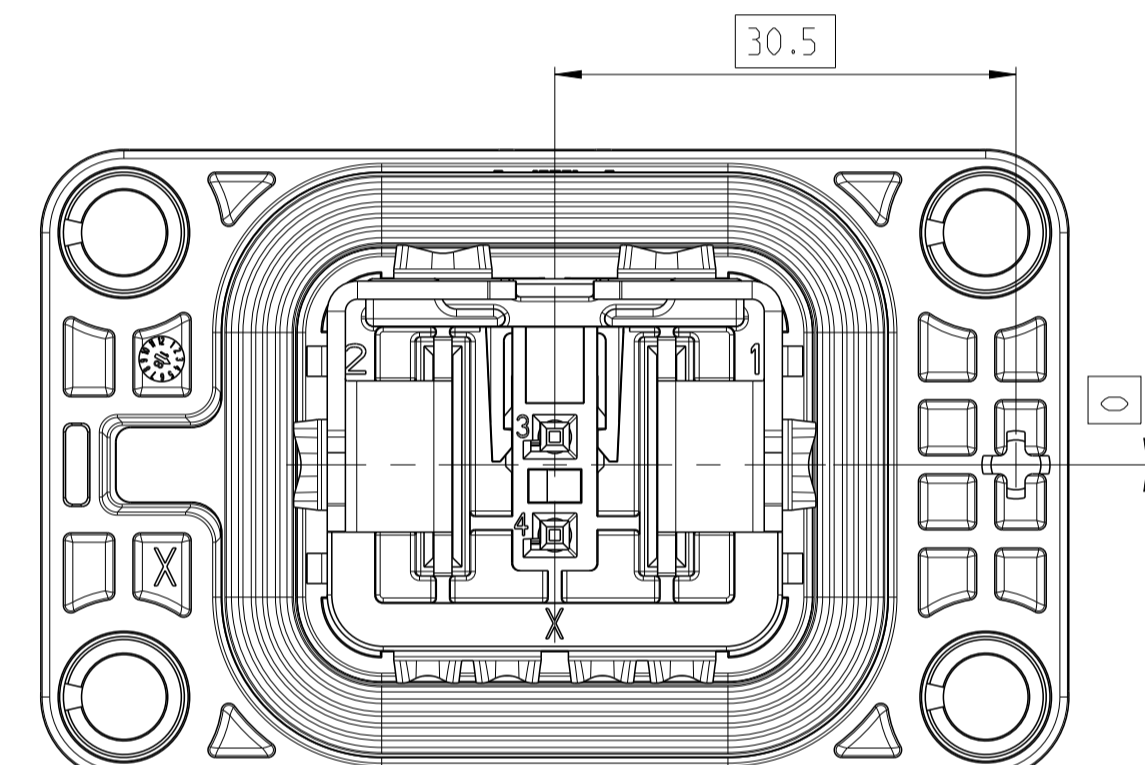
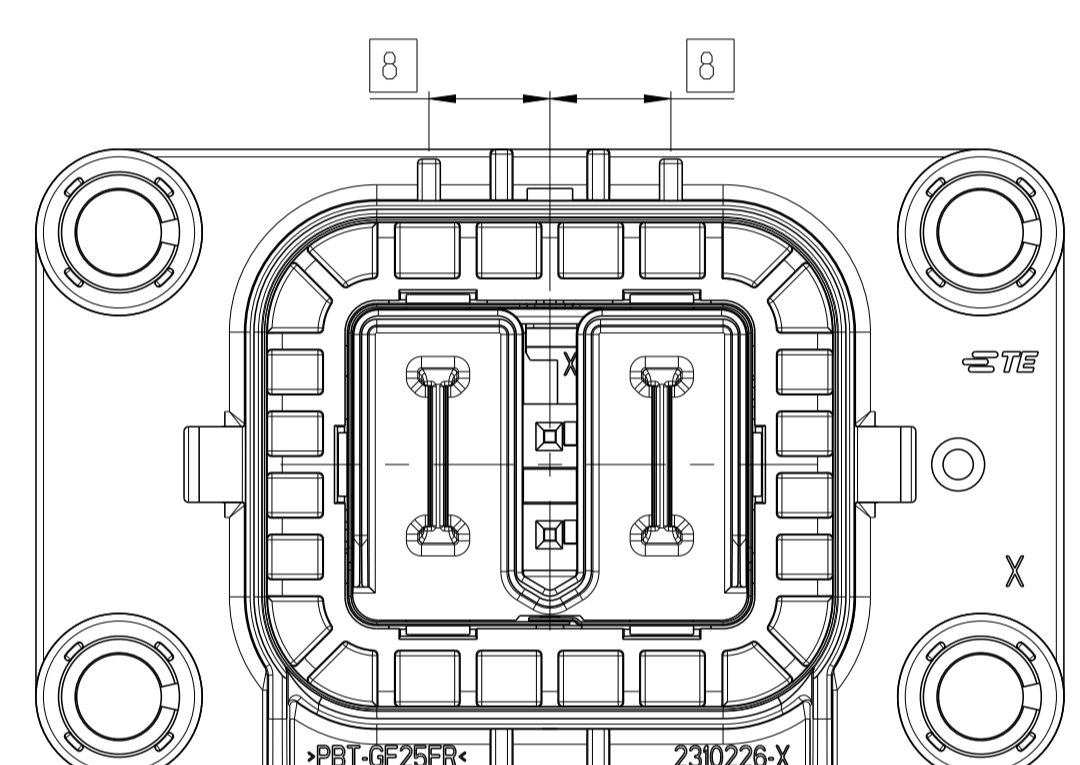
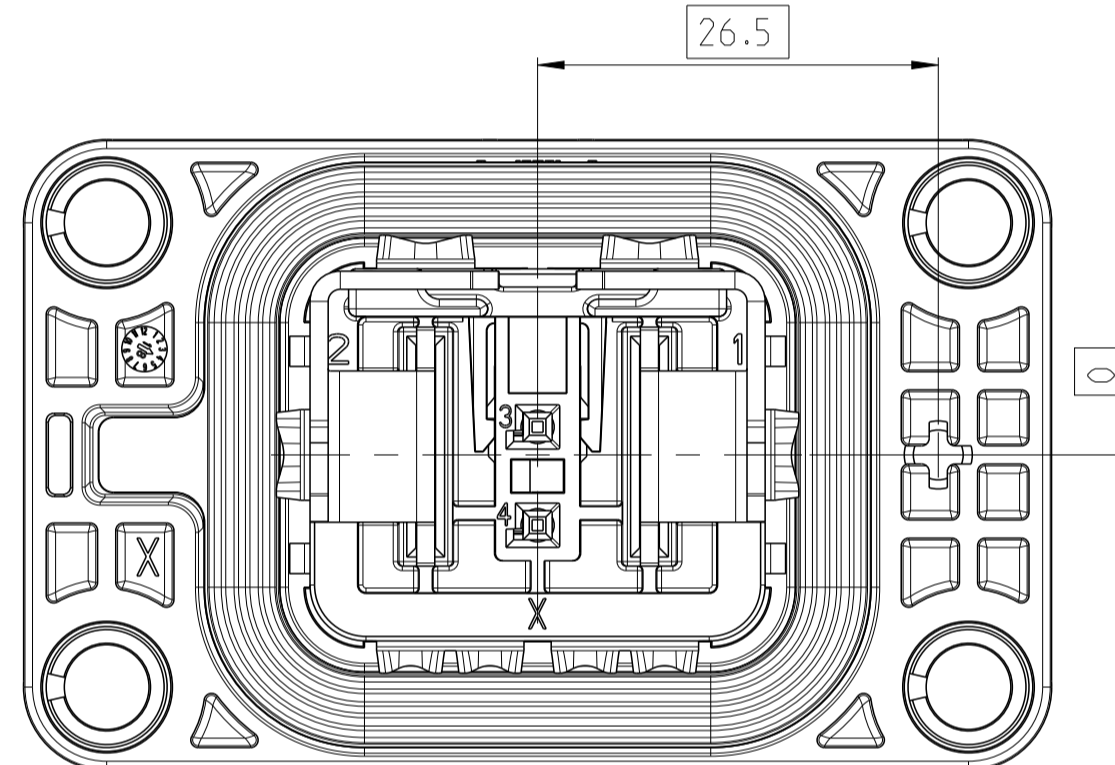
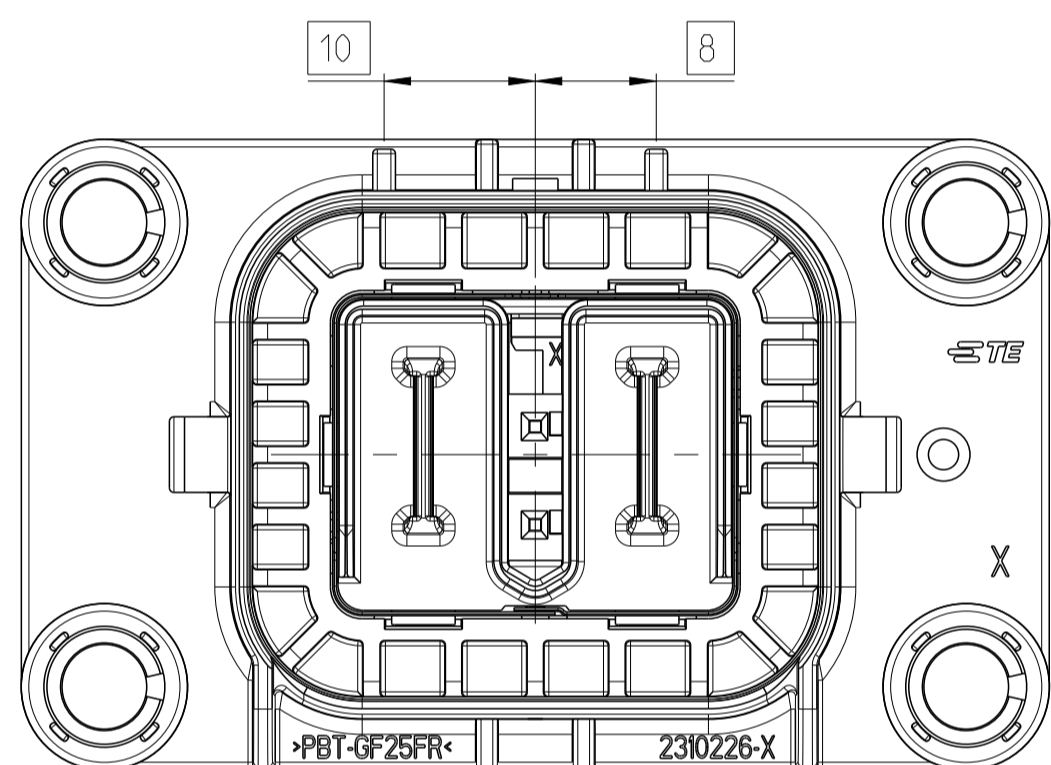
REVISIONS				
P	LTN	DESCRIPTION	DATE	APVD
-	-	SEE SHEET 1	-	-

**CODINGS**



- CODING A**  
 1-2310224-1  
 2-2310224-1  
 3-2310224-1  
 5-2310224-1  
 6-2310224-1

- CODING B**  
 1-2310224-2  
 2-2310224-2  
 3-2310224-2  
 5-2310224-2  
 6-2310224-1



- CODING C**  
 1-2310224-3  
 2-2310224-3  
 3-2310224-3  
 5-2310224-3  
 6-2310224-3

- CODING D**  
 1-2310224-4  
 2-2310224-4  
 3-2310224-4  
 5-2310224-4  
 6-2310224-4

																				WEIGHT (g)	ITEM NO				
1x	1x	1x	1x	-	-	-	-	-	-	-	-	-	-	-	-	-	-	-	-	6-2325634-1	A	INNER HSG ASSY	33.41	6	
-	-	-	-	1x	1x	1x	1x	-	-	-	-	-	-	-	-	-	-	-	-	5-2325634-1	A	INNER HSG ASSY	37.41	5	
-	-	-	-	-	-	-	-	1x	1x	1x	1x	-	-	-	-	-	-	-	-	3-2325634-1	A	INNER HSG ASSY	33.41	4	
-	-	-	-	-	-	-	-	-	-	-	-	1x	1x	1x	1x	-	-	-	-	2-2325634-1	A	INNER HSG ASSY	33.21	3	
-	-	-	-	-	-	-	-	-	-	-	-	-	-	-	-	1x	1x	1x	1x	1-2325634-1	A	INNER HSG ASSY	33.41	2	
1x	-	-	-	1x	-	-	-	1x	-	-	-	1x	-	-	-	1x	-	-	-	0-2310225-4	A	OUTER HOUSING, COD D	41.1	1	
-	1x	-	-	-	1x	-	-	-	1x	-	-	-	-	-	-	-	-	-	0-2310225-3	A	OUTER HOUSING, COD C				
-	-	1x	-	-	-	1x	-	-	-	-	-	-	-	-	-	-	-	-	0-2310225-2	A	OUTER HOUSING, COD B				
-	-	-	1x	-	-	-	1x	-	-	-	-	-	-	-	-	-	-	-	0-2310225-1	A	OUTER HOUSING, COD A				
6-2310224-4	6-2310224-3	6-2310224-2	6-2310224-1	5-2310224-4	5-2310224-3	5-2310224-2	5-2310224-1	3-2310224-4	3-2310224-3	3-2310224-2	3-2310224-1	2-2310224-4	2-2310224-3	2-2310224-2	2-2310224-1	1-2310224-4	1-2310224-3	1-2310224-2	1-2310224-1	PART NO	REV	DESCRIPTION	WEIGHT (g)	ITEM NO	
A	A	A	A	B	B	B	B	A	A	A	A	A	A	A	A	A	A	A	A	A			REV		
74.51	74.51	74.51	74.51	78.51	78.51	78.51	78.51	74.31	74.31	74.31	74.31	74.31	74.31	74.31	74.31	74.51	74.51	74.51	74.51			WEIGHT (g)			
D	C	B	A	D	C	B	A	D	C	B	A	D	C	B	A								CODING		

THIS DRAWING IS A CONTROLLED DOCUMENT.

DIMENSIONS: mm

TOLERANCES UNLESS OTHERWISE SPECIFIED:

0 PLC # # # # #  
 1 PLC # # # # #  
 2 PLC # # # # #  
 3 PLC # # # # #  
 4 PLC # # # # #  
 ANGLES # # # # #  
 FINISH # # # # #

OWN: G. HOIEA 15DEC2017  
 CHK: H. RIPPER 15DEC2017  
 APVD: -

PRODUCT SPEC: 108-94749  
 APPLICATION SPEC: 116-94515

NAME: HVA1200 HEADER ASSEMBLY

SIZE: A1  
 CAGE CODE: 00779  
 DRAWING NO: 2310224

RESTRICTED TO: CUSTOMER DRAWING

SCALE: 2:1  
 SHEET: 3 OF 3  
 REV: B