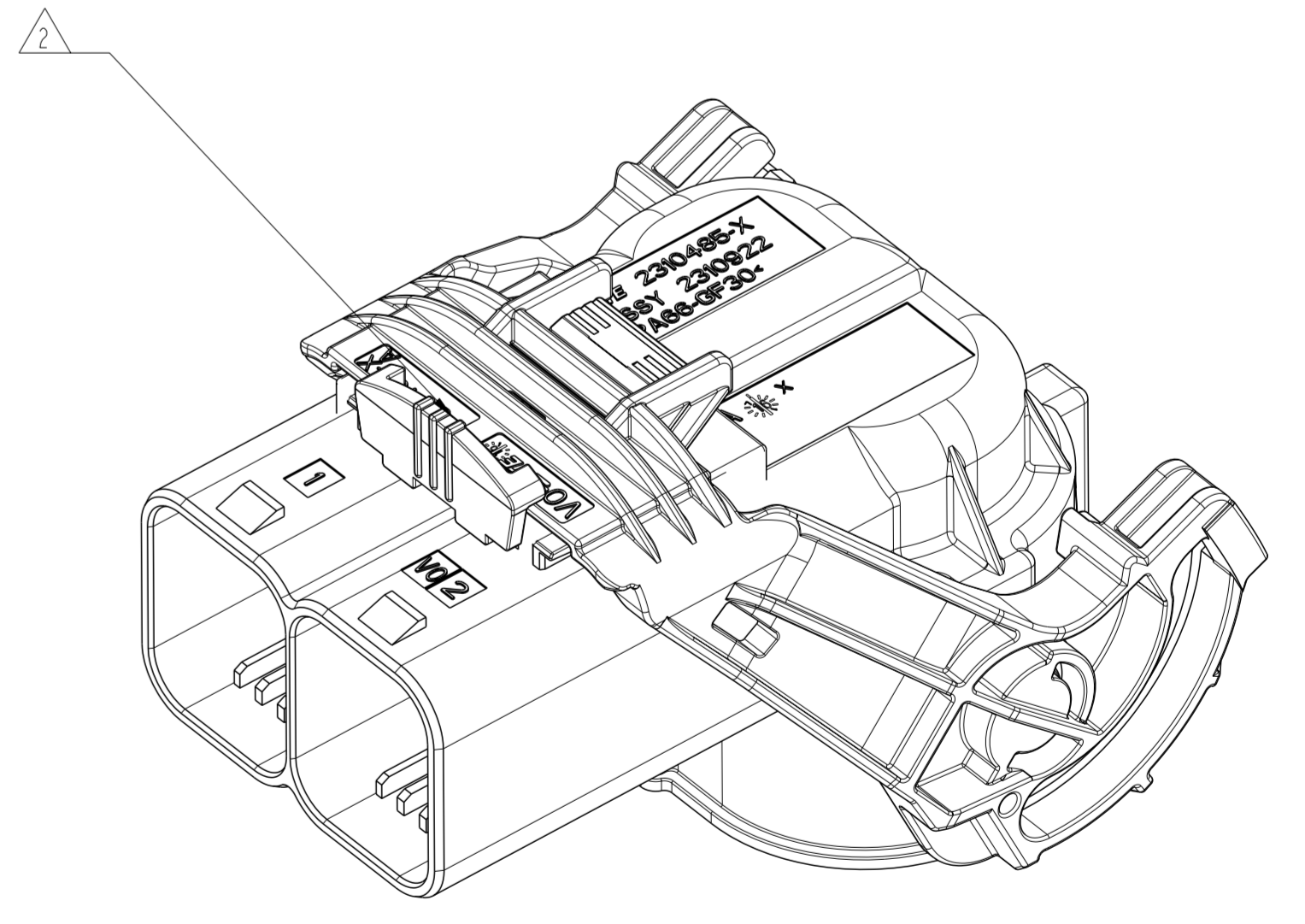
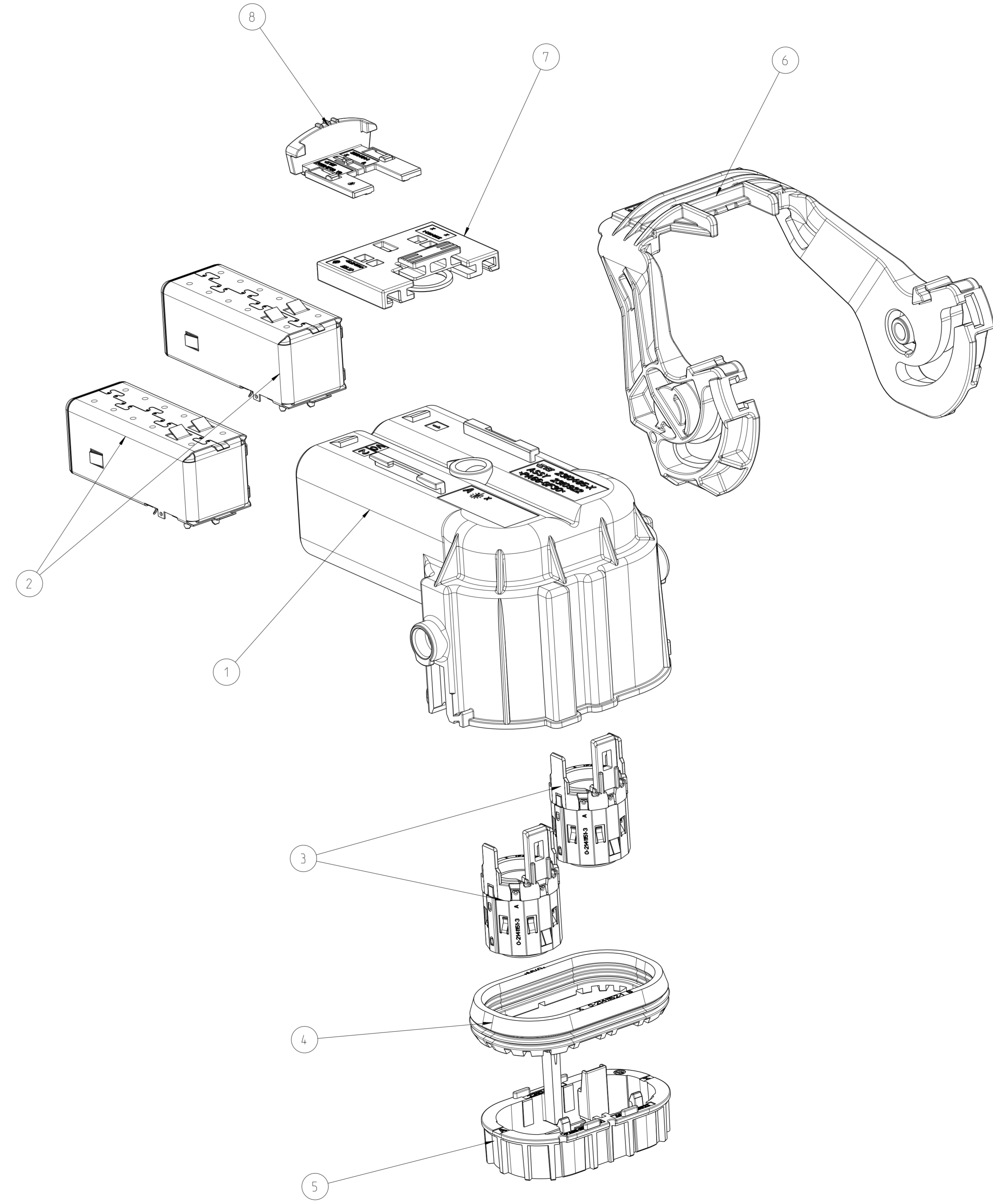
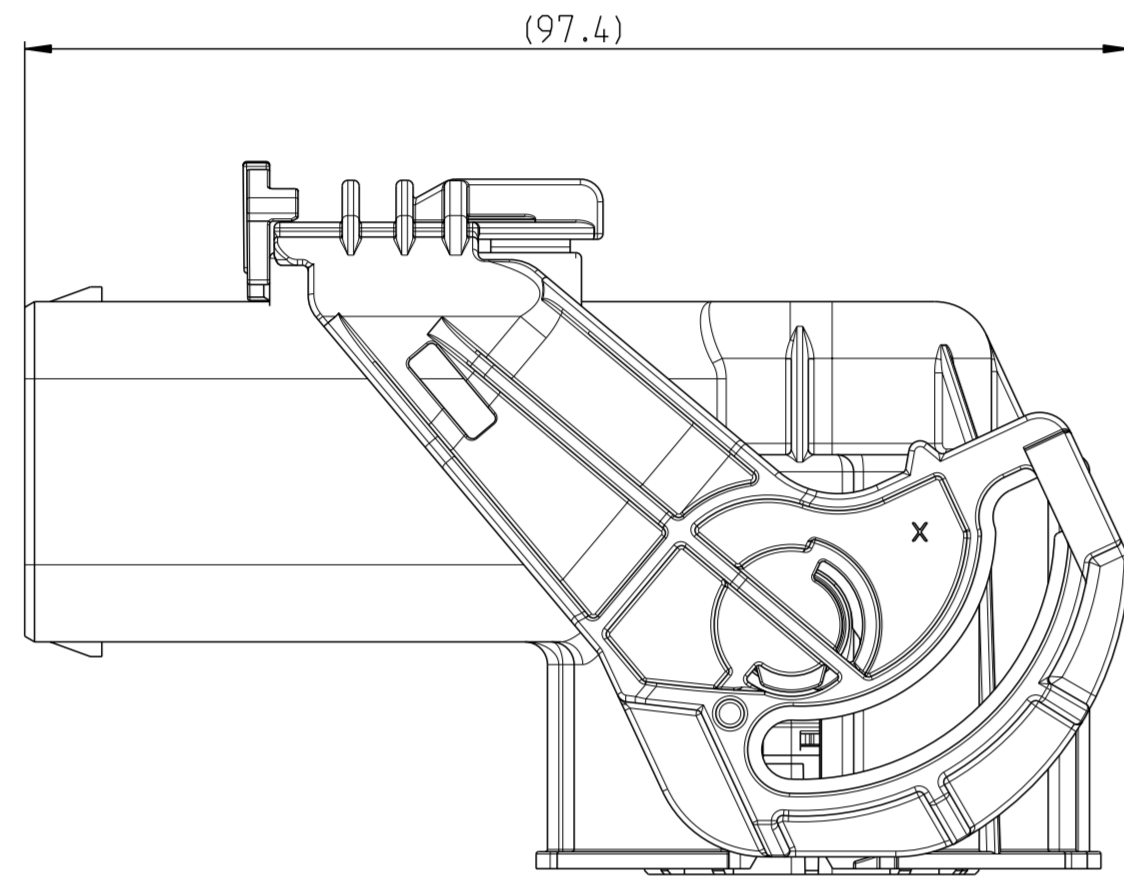


CODINGS



REVISIONS				
P	REV	DESCRIPTION	DATE	APP'D
B1	REVISED	ECO-19-000597	16 JAN 19	SX EJ
B2	REVISED	ECR-19-006021	16 APR 19	ZZ EJ
B3	REVISED	ECR-2021-01-098100-E	12 JAN 21	FS EJ
B4	ECN	22-155256	19 MAY 2022	LY EJ

NOTES

▲ SHIELDING INFORMATION AND FIRE RETARDANT CLASS FOR PLASTIC PART SEE TABLE BELOW

P/N	SHIELDING INFORMATION	FIRE RETARDANT CLASS OF PLASTIC MATERIAL	REFERENCE DRAWING(P/N) FOR MISSING DIMENSION
2310922-1	COPPER ALLOY 40 PLATING (Tmax 140°C)	V0	214.1154(1)-214.1154-1)
2310922-2			214.1154(1)-214.1154-2)
2310922-3			214.1154(1)-214.1154-3)
2310922-4			214.1154(1)-214.1154-4)
1/3-2310922-1	COPPER ALLOY PRE-TIN PLATING (Tmax 125°C)	HB	214.1154(1)-214.1154-1)
1/3-2310922-2			214.1154(1)-214.1154-2)
1/3-2310922-3			214.1154(1)-214.1154-3)
1/3-2310922-4			214.1154(1)-214.1154-4)
2-2310922-1			214.1154(1)-214.1154-1)
2-2310922-2			214.1154(1)-214.1154-2)
2-2310922-3			214.1154(1)-214.1154-3)
2-2310922-4			214.1154(1)-214.1154-4)

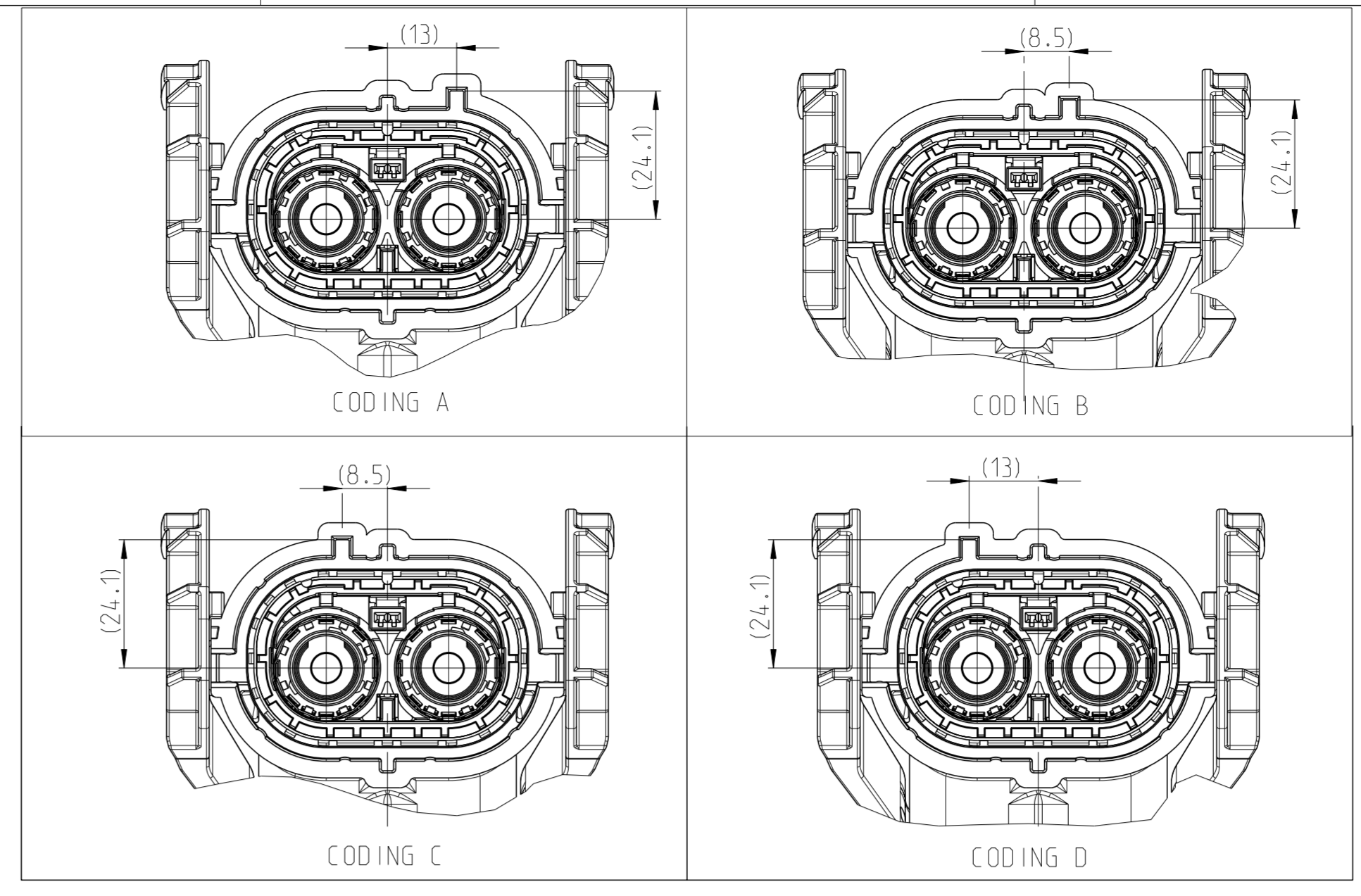
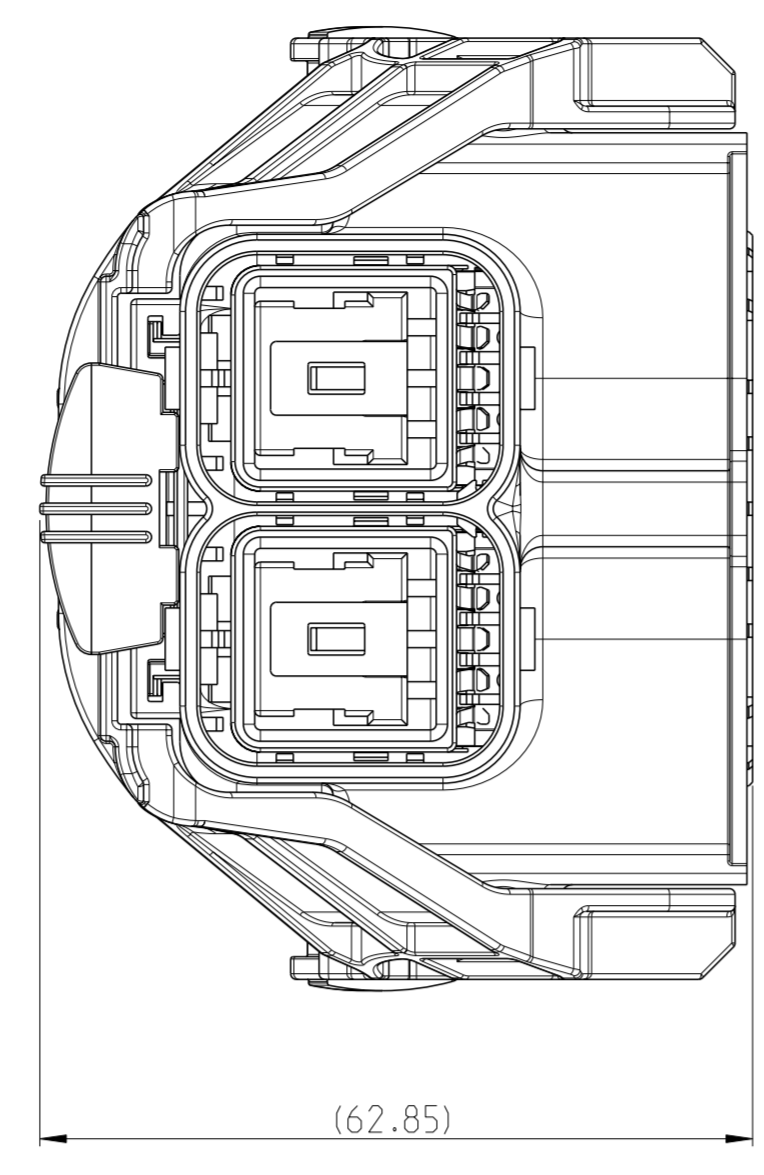
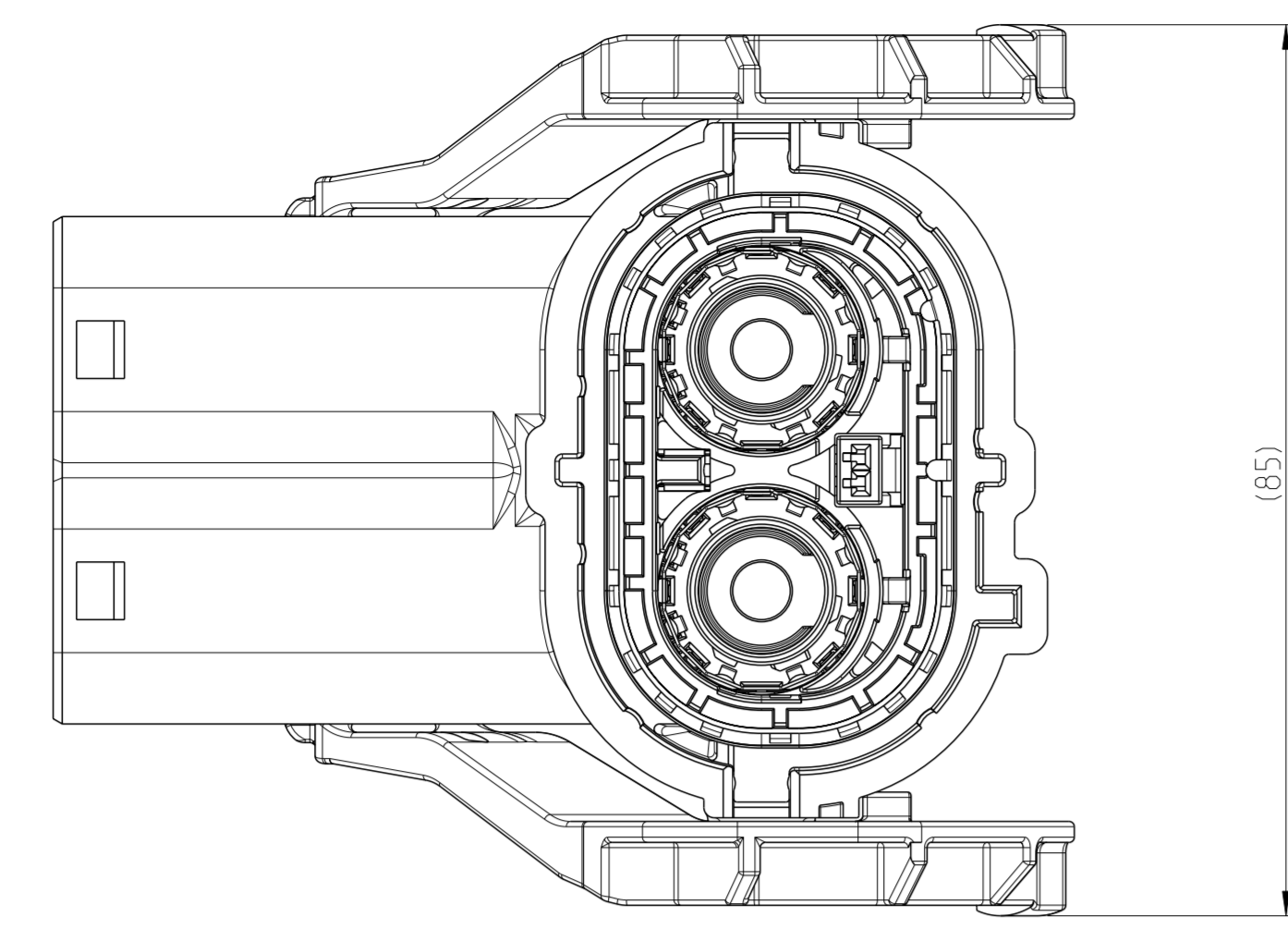
▲ DELIVERY CONDITION: LEVER IN END-LOCKING POSITION, CPA CLOSED

3 PACKAGED IN CORRUGATED SHIPPING BOX

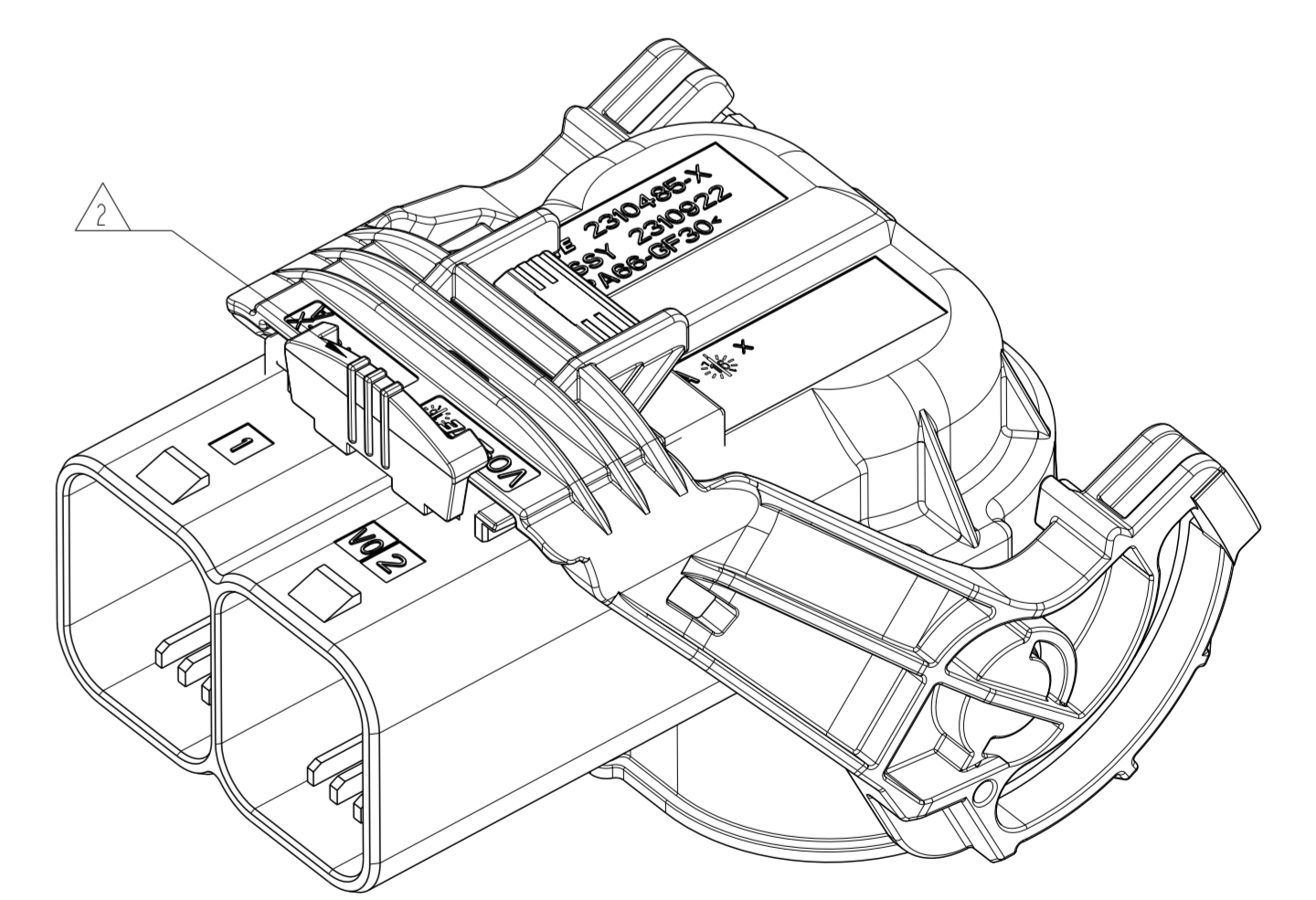
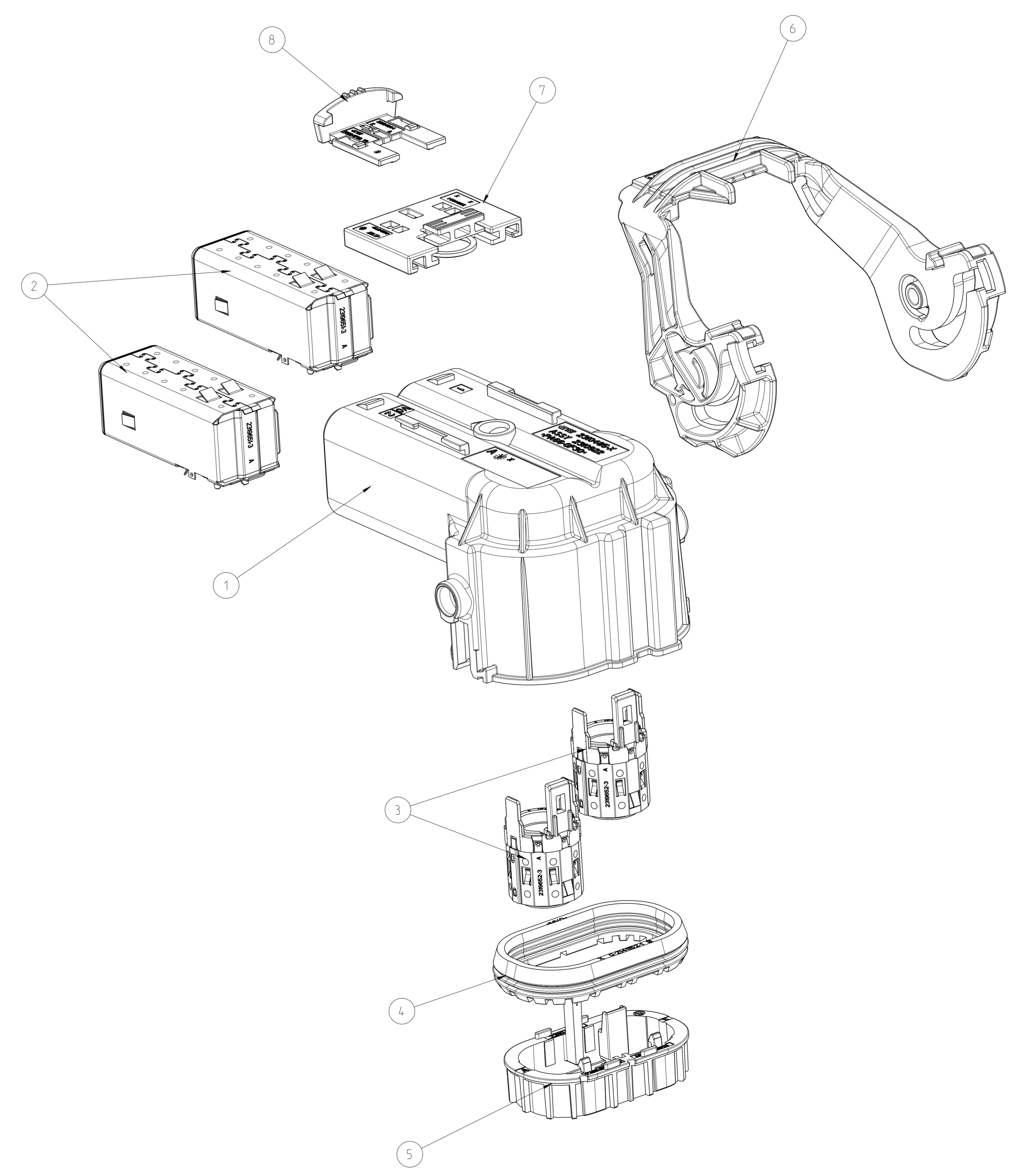
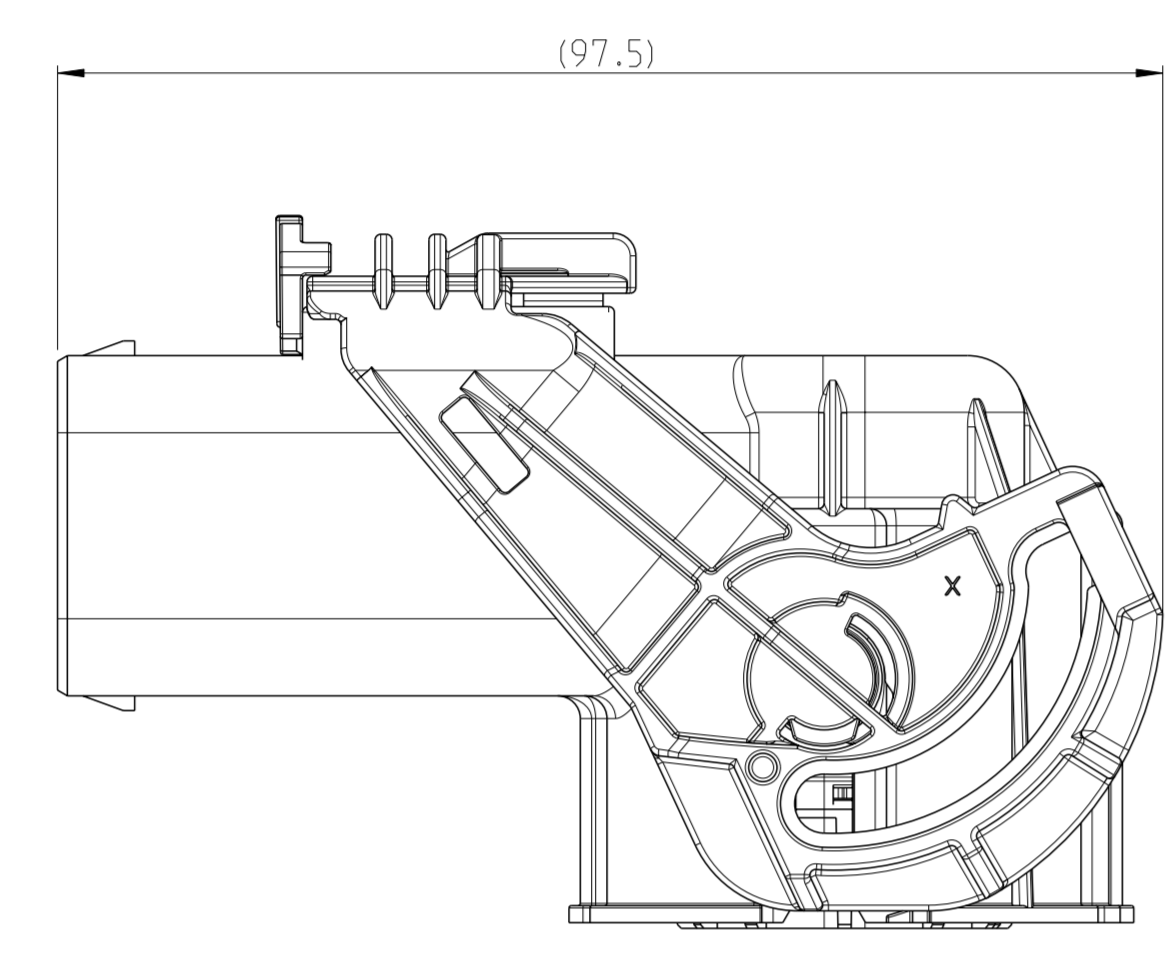
CD	TE ASSY-NO.	ASSY-REV	QTY	DESCRIPTION	MATERIAL	WEIGHT (g)	SURFACE COLOUR	TEM			
D	2310922-4	A	1	CPA	PA66-GF V0 ▲	(14.1.6)	RED SIM RAL 3000	8			
			1	ADAPTER	PA66-GF V0 ▲		DUSTY GRAY SIM RAL 7037	7			
			1	LEVER, 2POS, 90 DEG	PA66-GF V0 ▲		WHITE SIM RAL 9010 (9001)	6			
			1	2POS, MCON-1.2, REC HSG, 90 DEG, Assy	-		-	5			
			1	RADIAL SEAL	SILICONE RUBBER		WHITE SIM RAL 9010	4			
			2	ASSY: ISULATION INSERT - SHIELDING	▲		-	3			
			2	ASSY: ISULATION INSERT - SHIELDING	▲		-	2			
			1	2POS, 8MM HV, REC HSG, 90 DEG, SEALED	PA66-GF V0 ▲		ORANGE SIM RAL 2003	1			
			C	2310922-3	A	1	CPA	PA66-GF V0 ▲	(14.1.6)	RED SIM RAL 3000	8
						1	ADAPTER	PA66-GF V0 ▲		DUSTY GRAY SIM RAL 7037	7
1	LEVER, 2POS, 90 DEG	PA66-GF V0 ▲					BLACK SIM RAL 9005 (9011)	6			
1	2POS, MCON-1.2, REC HSG, 90 DEG, Assy	-					-	5			
1	RADIAL SEAL	SILICONE RUBBER					WHITE SIM RAL 9010	4			
2	ASSY: ISULATION INSERT - SHIELDING	▲					-	3			
2	ASSY: ISULATION INSERT - SHIELDING	▲					-	2			
1	2POS, 8MM HV, REC HSG, 90 DEG, SEALED	PA66-GF V0 ▲					ORANGE SIM RAL 2003	1			
B	2310922-2	A				1	CPA	PA66-GF V0 ▲	(14.1.6)	RED SIM RAL 3000	8
						1	ADAPTER	PA66-GF V0 ▲		DUSTY GRAY SIM RAL 7037	7
			1	LEVER, 2POS, 90 DEG	PA66-GF V0 ▲		WHITE SIM RAL 9010 (9001)	6			
			1	2POS, MCON-1.2, REC HSG, 90 DEG, Assy	-		-	5			
			1	RADIAL SEAL	SILICONE RUBBER		WHITE SIM RAL 9010	4			
			2	ASSY: ISULATION INSERT - SHIELDING	▲		-	3			
			2	ASSY: ISULATION INSERT - SHIELDING	▲		-	2			
			1	2POS, 8MM HV, REC HSG, 90 DEG, SEALED	PA66-GF V0 ▲		ORANGE SIM RAL 2003	1			
			A	2310922-1	A	1	CPA	PA66-GF V0 ▲	(14.1.6)	RED SIM RAL 3000	8
						1	ADAPTER	PA66-GF V0 ▲		DUSTY GRAY SIM RAL 7037	7
1	LEVER, 2POS, 90 DEG	PA66-GF V0 ▲					BLACK SIM RAL 9005 (9011)	6			
1	2POS, MCON-1.2, REC HSG, 90 DEG, Assy	-					-	5			
1	RADIAL SEAL	SILICONE RUBBER					WHITE SIM RAL 9010	4			
2	ASSY: ISULATION INSERT - SHIELDING	▲					-	3			
2	ASSY: ISULATION INSERT - SHIELDING	▲					-	2			
1	2POS, 8MM HV, REC HSG, 90 DEG, SEALED	PA66-GF V0 ▲					ORANGE SIM RAL 2003	1			

-1 AS SHOWN

THIS DRAWING IS A CONTROLLED DOCUMENT.		DATE: 12 JUL 2017	BY: J.L.L.
DIMENSIONS: (mm)		DATE: 24 JUL 2017	BY: S.Y.WANG
TOLERANCES UNLESS OTHERWISE SPECIFIED:		DATE: 02 AUG 2017	BY: M.Y.LIN
Ø: ±0.5	PL: ±0.1	DRUGIT SPEC: REFER TO 108-32233	NAME: 2POS, 8mm HV, REC HSG, 90 DEG, ASSY
PL: ±0.1	PC: ±0.05	INSPECTION SPEC: REFER TO 114-32213	SEAL: SEALED
PC: ±0.05	ANGLE: ±0.1	DATE: 07 2017	SIZE: A0
FINISH: SPEC 2	CUSTOMER DRAWING	SCALE: 1:1	SHEET: 1 of 4



CODINGS

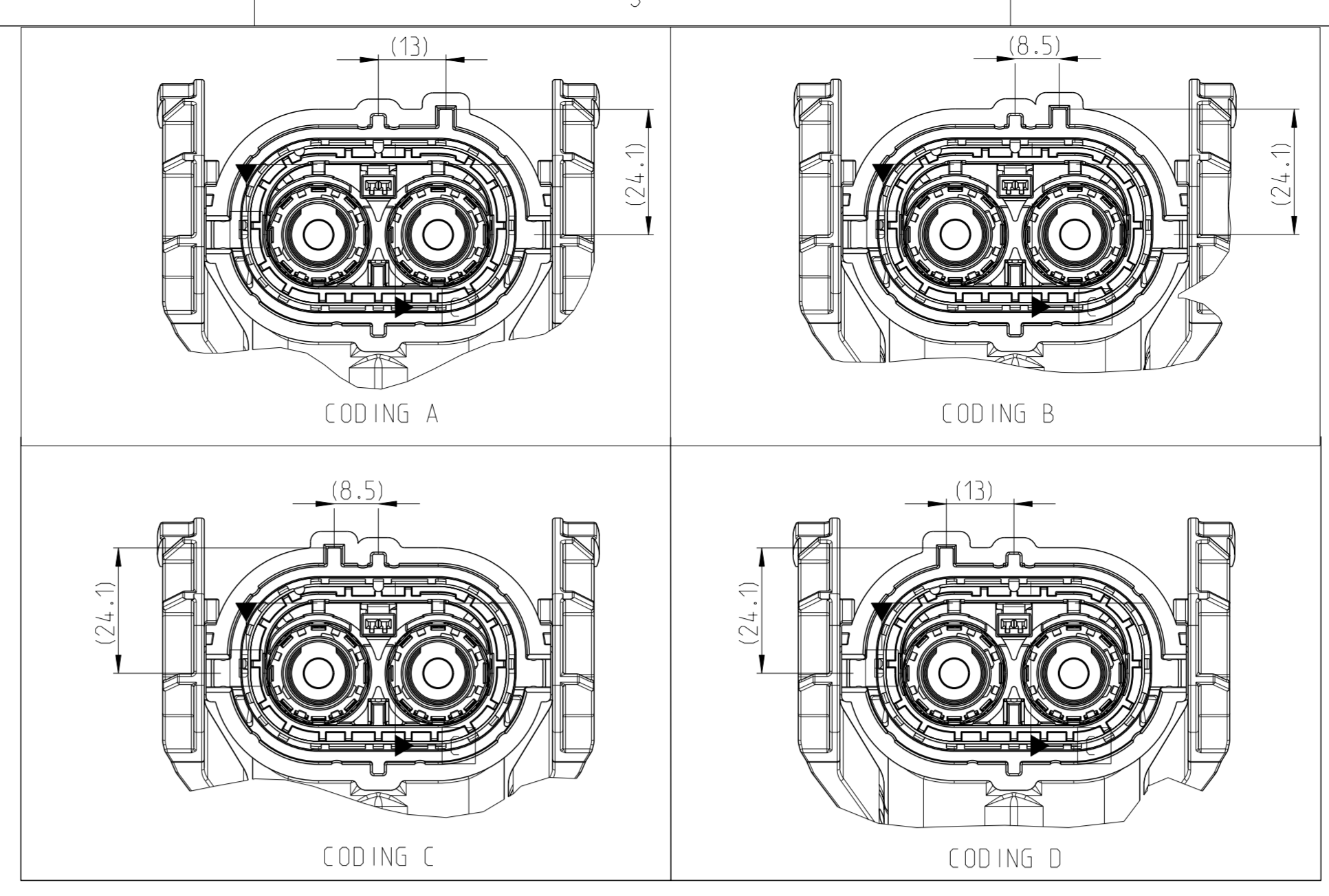
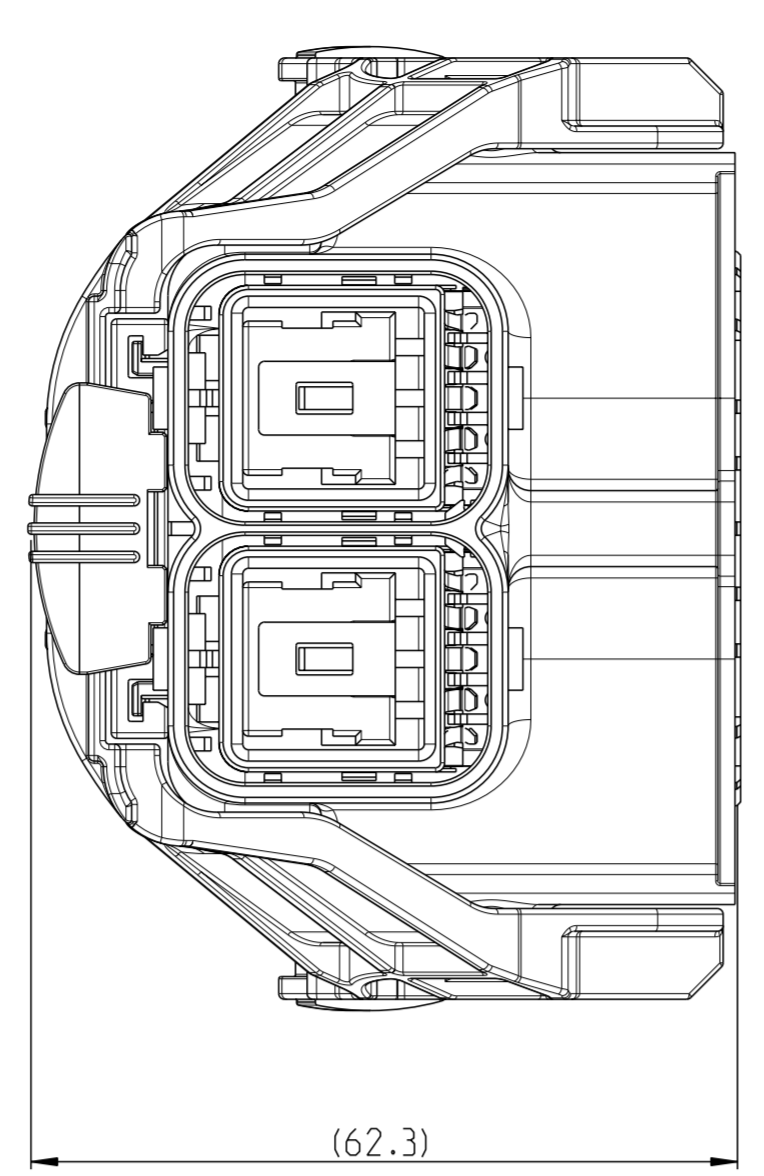
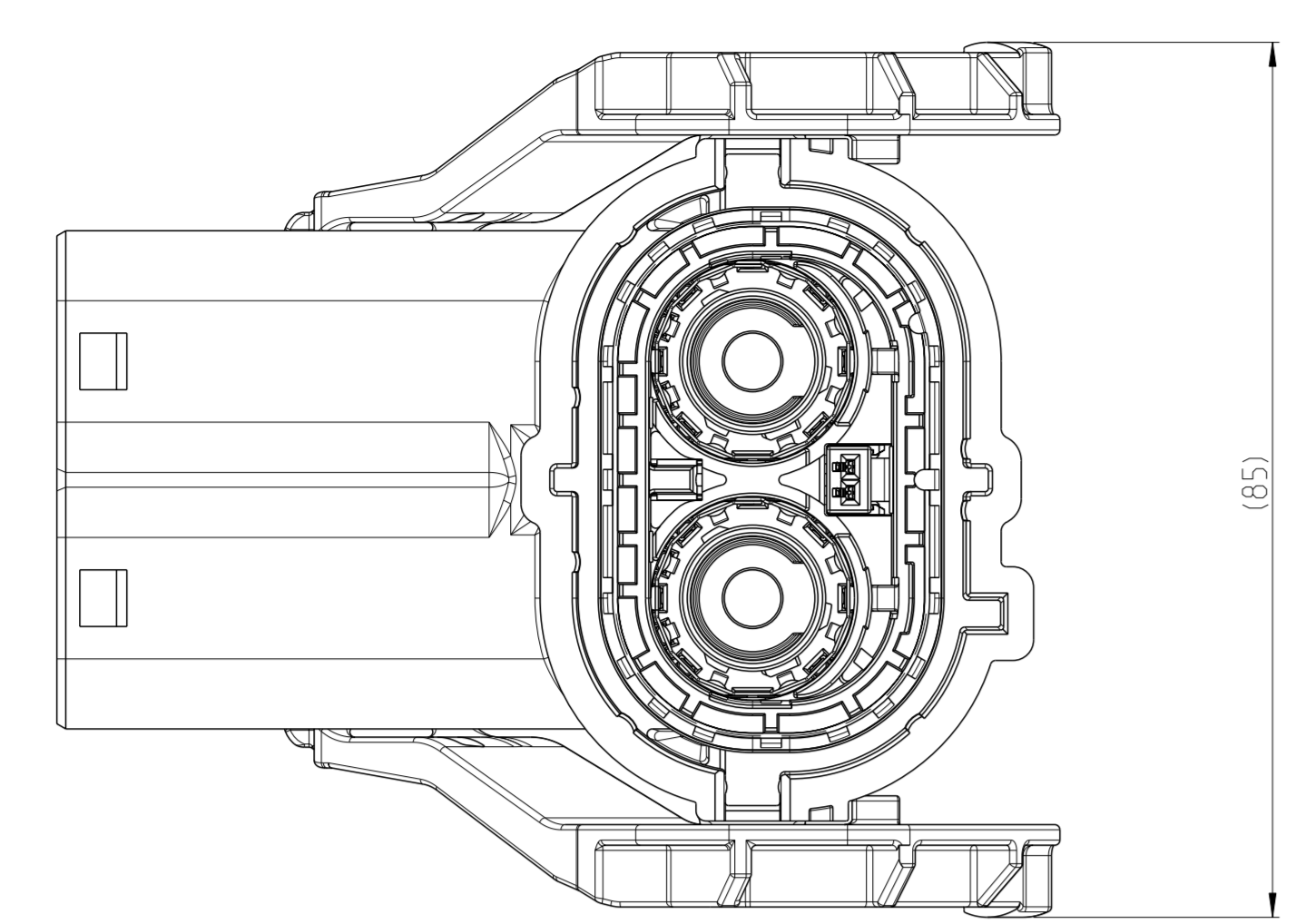


COD.	TE ASSY-NO.	ASSY-REV	QTY	DESCRIPTION	MATERIAL	WEIGHT (g)	SURFACE COLOUR	ITEM
D	1-2310922-4	A	1	CPA	PA66-GF V0	(14.1.6)	RED SIM RAL 3000	8
			1	ADAPTER	PA66-GF V0		DUSTY GRAY SIM RAL 7037	7
			1	LEVER, 2POS, 90 DEG	PA66-GF V0		WHITE SIM RAL 9010 (9001)	6
			1	2POS. MCON-1.2, REC HSG, 90 DEG, Assy	-		-	5
			1	RADIAL SEAL	SILICONE RUBBER		WHITE SIM RAL 9010	4
			2	ASSY. ISULATION INSERT - SHIELDING	△		-	3
			2	ASSY. ISULATION INSERT - SHIELDING	△		-	2
			1	2POS. 8MM HV, REC HSG, 90 DEG, SEALED	PA66-GF V0		ORANGE SIM RAL 2003	1
C	1-2310922-3	A	1	CPA	PA66-GF V0	(14.1.6)	RED SIM RAL 3000	8
			1	ADAPTER	PA66-GF V0		DUSTY GRAY SIM RAL 7037	7
			1	LEVER, 2POS, 90 DEG	PA66-GF V0		BLACK SIM RAL 9005 (9011)	6
			1	2POS. MCON-1.2, REC HSG, 90 DEG, Assy	-		-	5
			1	RADIAL SEAL	SILICONE RUBBER		WHITE SIM RAL 9010	4
			2	ASSY. ISULATION INSERT - SHIELDING	△		-	3
			2	ASSY. ISULATION INSERT - SHIELDING	△		-	2
			1	2POS. 8MM HV, REC HSG, 90 DEG, SEALED	PA66-GF V0		ORANGE SIM RAL 2003	1
B	1-2310922-2	B	1	CPA	PA66-GF V0	(14.1.6)	RED SIM RAL 3000	8
			1	ADAPTER	PA66-GF V0		DUSTY GRAY SIM RAL 7037	7
			1	LEVER, 2POS, 90 DEG	PA66-GF V0		WHITE SIM RAL 9010 (9001)	6
			1	2POS. MCON-1.2, REC HSG, 90 DEG, Assy	-		-	5
			1	RADIAL SEAL	SILICONE RUBBER		WHITE SIM RAL 9010	4
			2	ASSY. ISULATION INSERT - SHIELDING	△		-	3
			2	ASSY. ISULATION INSERT - SHIELDING	△		-	2
			1	2POS. 8MM HV, REC HSG, 90 DEG, SEALED	PA66-GF V0		ORANGE SIM RAL 2003	1
A	1-2310922-1	B	1	CPA	PA66-GF V0	(14.1.6)	RED SIM RAL 3000	8
			1	ADAPTER	PA66-GF V0		DUSTY GRAY SIM RAL 7037	7
			1	LEVER, 2POS, 90 DEG	PA66-GF V0		BLACK SIM RAL 9005 (9011)	6
			1	2POS. MCON-1.2, REC HSG, 90 DEG, Assy	-		-	5
			1	RADIAL SEAL	SILICONE RUBBER		WHITE SIM RAL 9010	4
			2	ASSY. ISULATION INSERT - SHIELDING	△		-	3
			2	ASSY. ISULATION INSERT - SHIELDING	△		-	2
			1	2POS. 8MM HV, REC HSG, 90 DEG, SEALED	PA66-GF V0		ORANGE SIM RAL 2003	1

REVISIONS			
REV	DATE	BY	APPD
1			

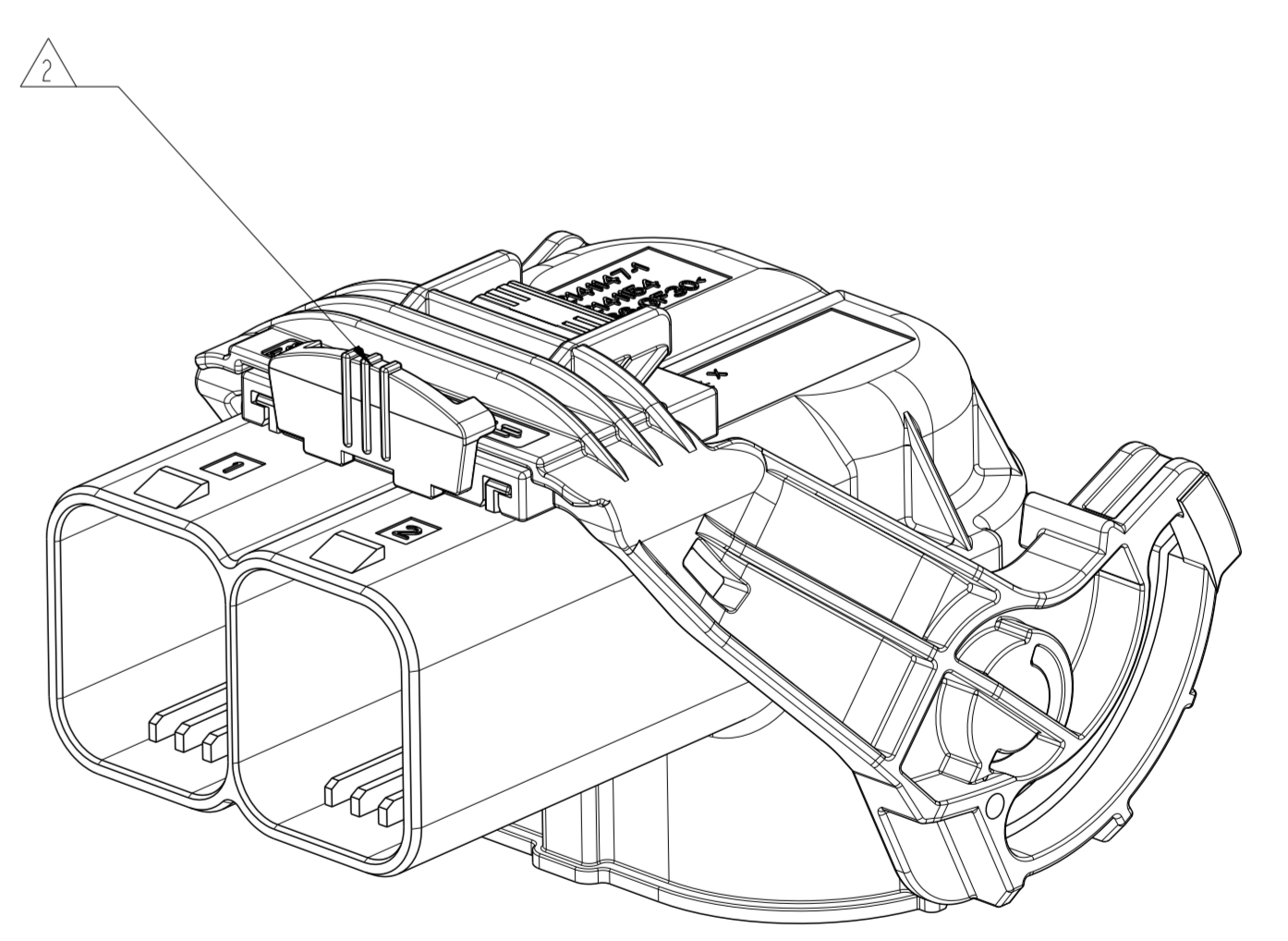
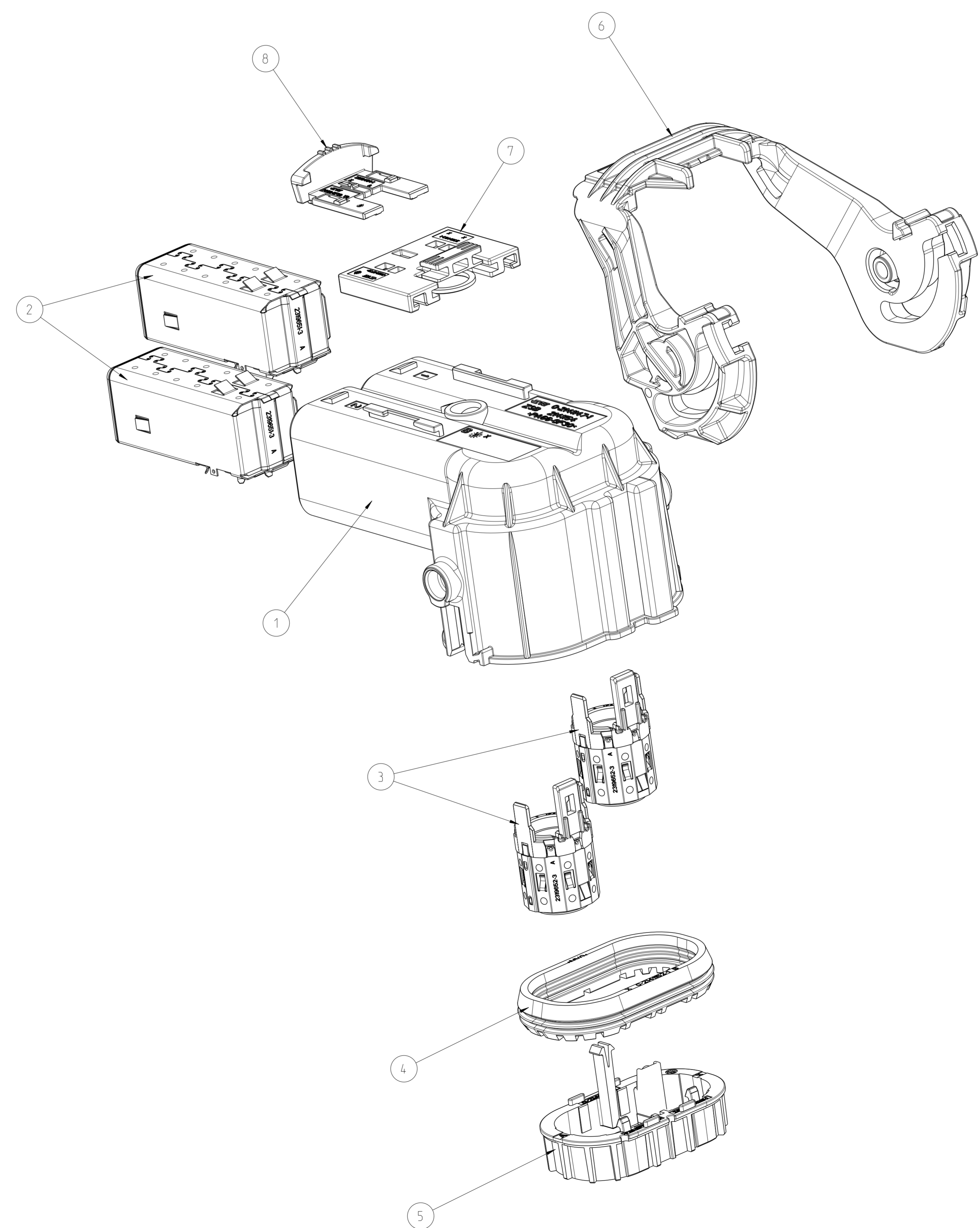
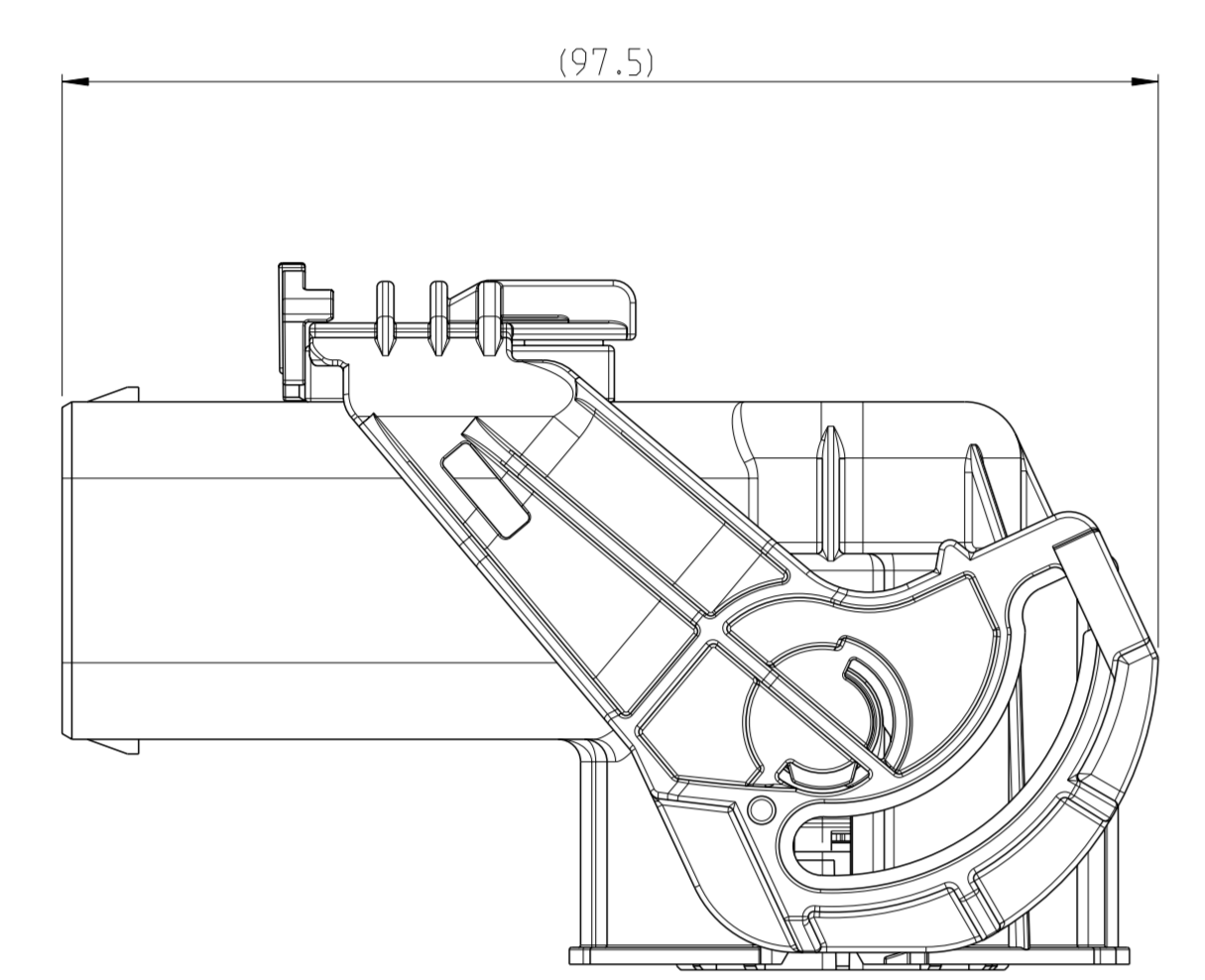
1--1 AS SHOWN

THIS DRAWING IS A CONTROLLED DOCUMENT. DATE: 12 JUL 2017. DRAWN BY: J.L.L. CHECKED BY: S.Y. WANG. APPROVED BY: J. WANG. DATE: 24 JUL 2017. DATE: 02 AUG 2017. NAME: 2POS, 8mm HV, REC HSG, 90 DEG, ASSY SEALED. REFERENCE: REFER TO 100-32233. REFER TO 114-32213. SIZE: A0. CASE CODE: 00779. DRAWING NO: 2310922. SCALE: 1:1. SHEET: 2 OF 4. RESTRICTED TO: ALL BA.



CODINGS

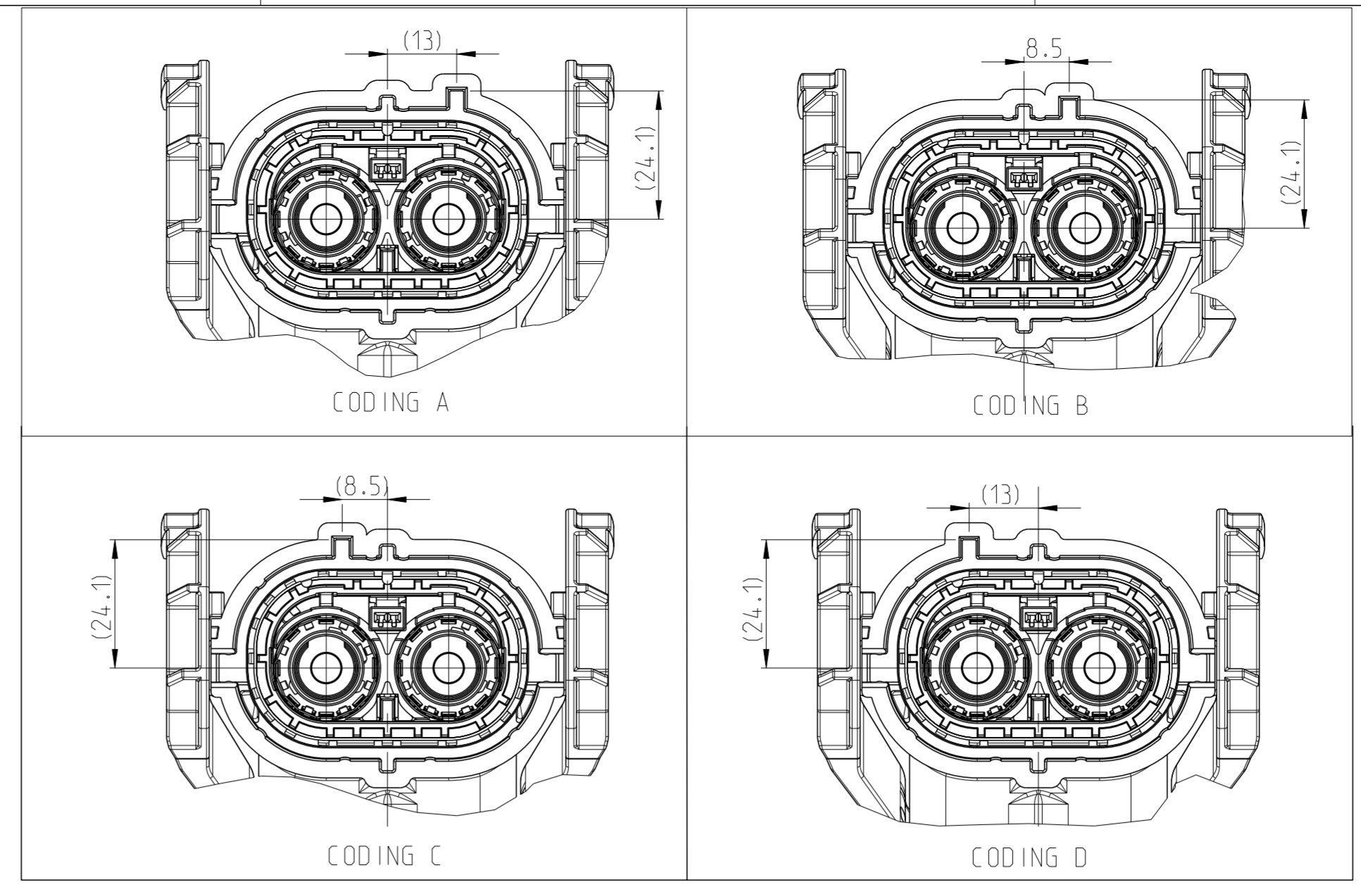
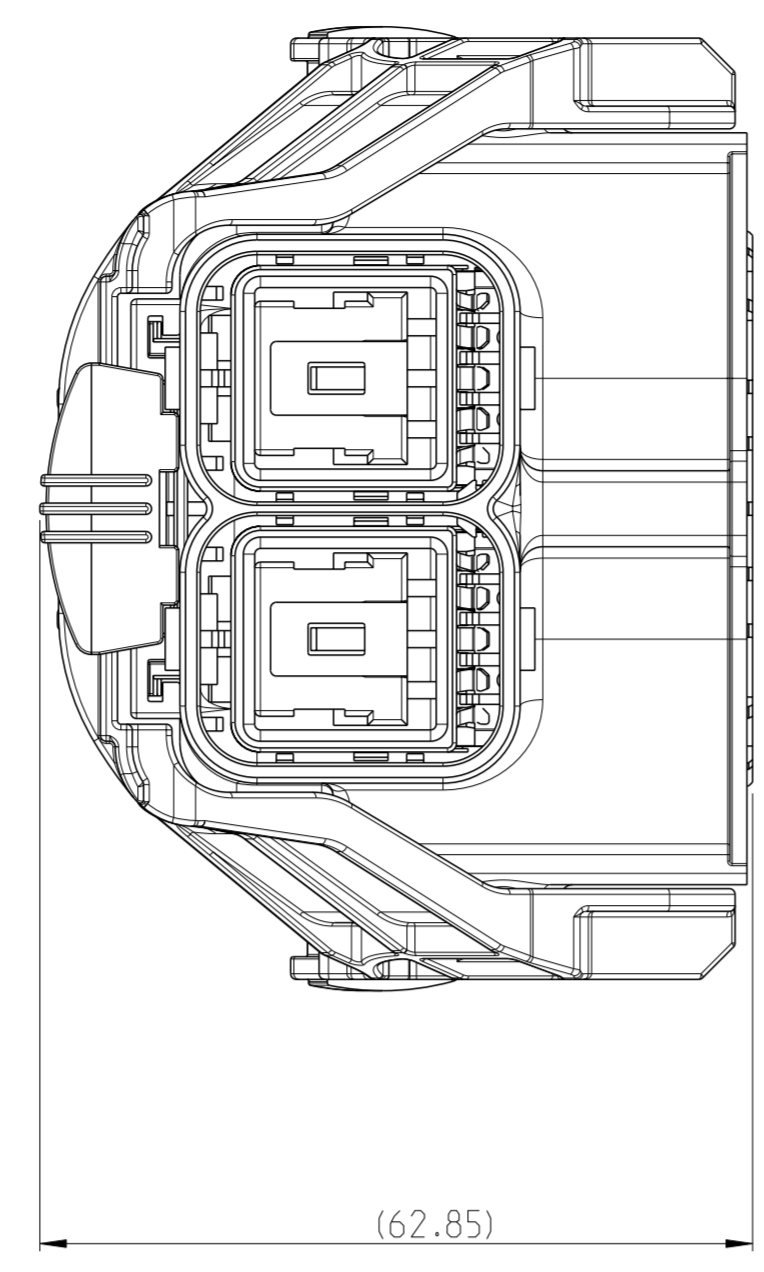
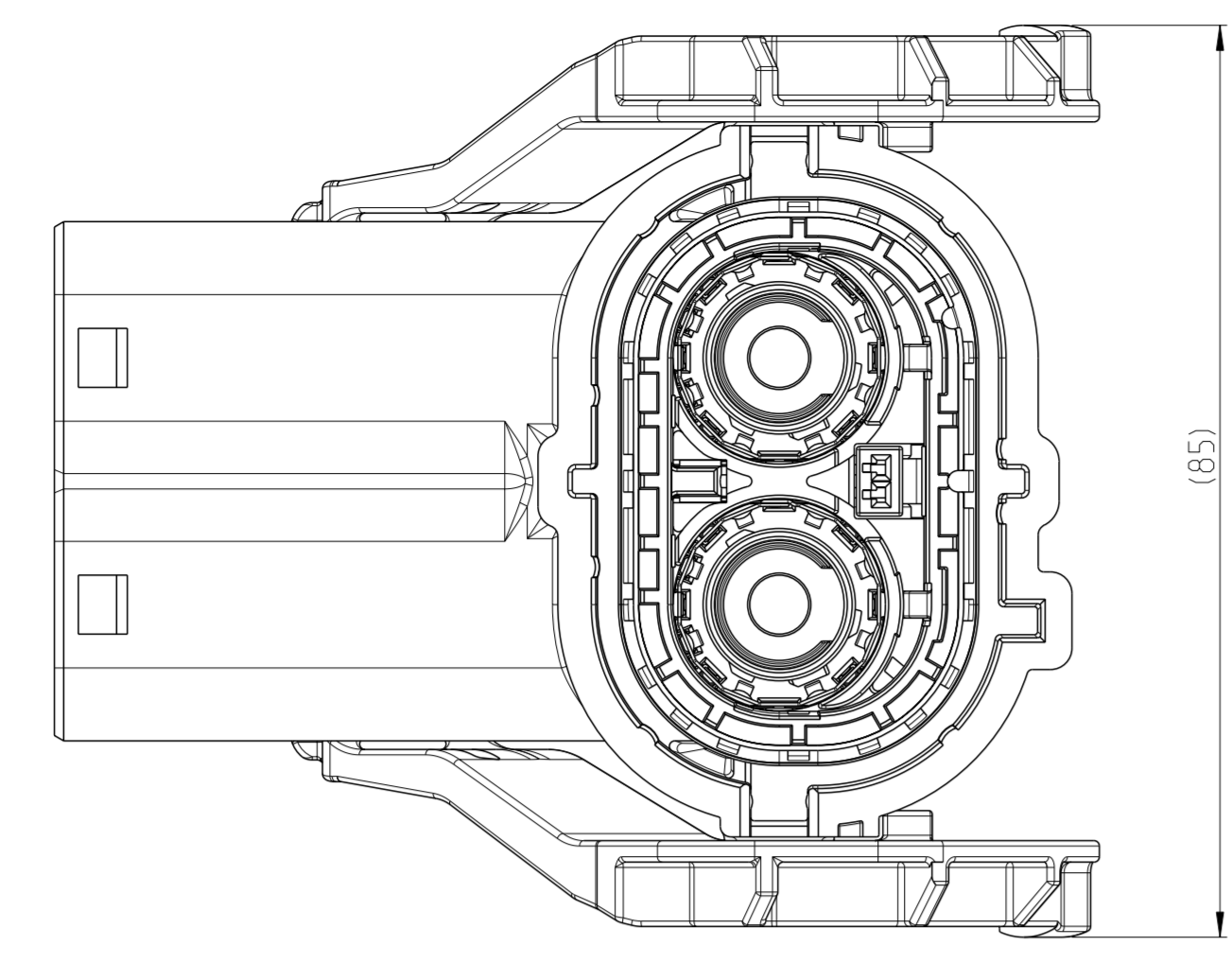
REVISIONS			
REV	DATE	DESCRIPTION	BY
1		SEE SHEET 1	



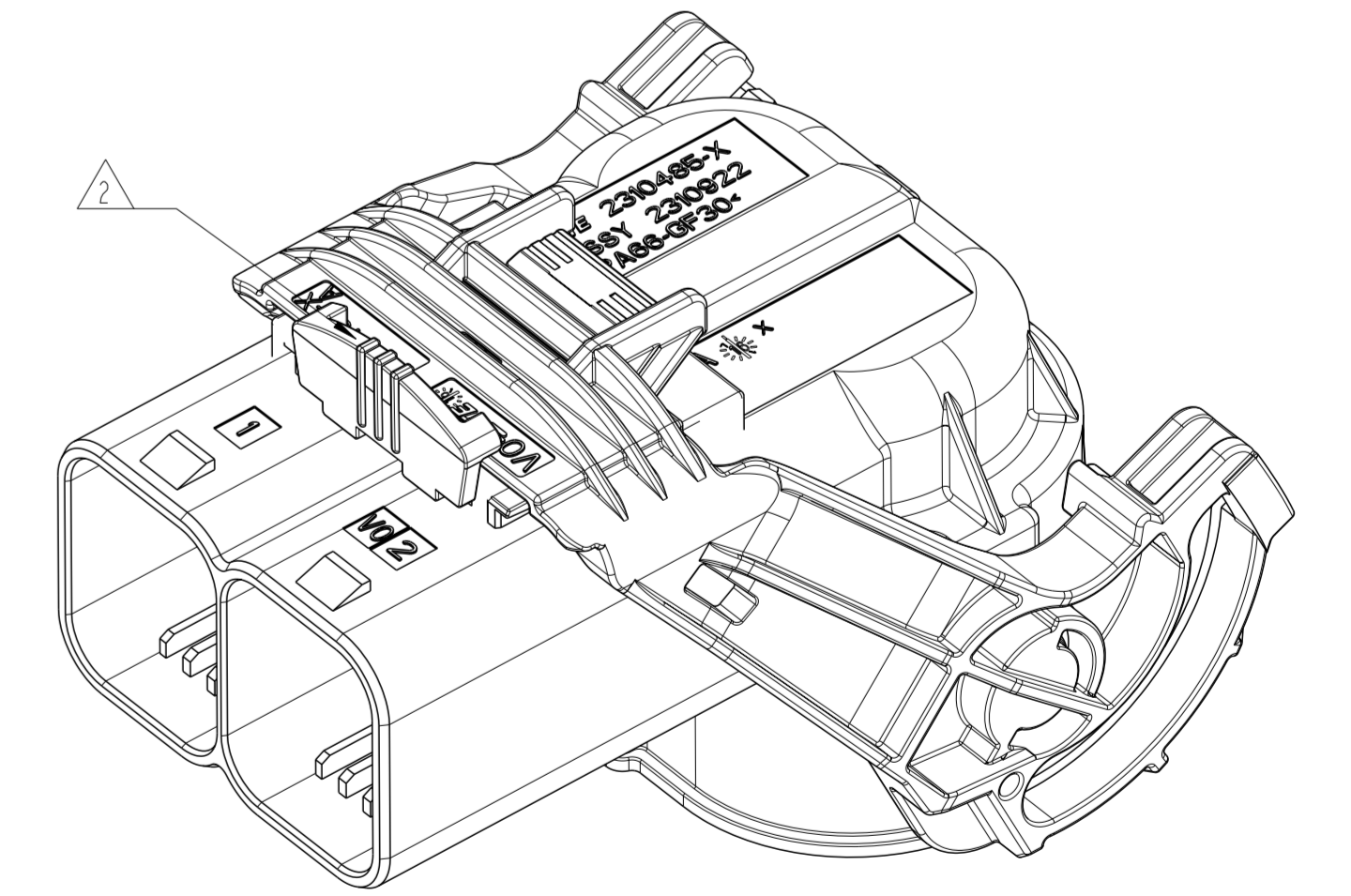
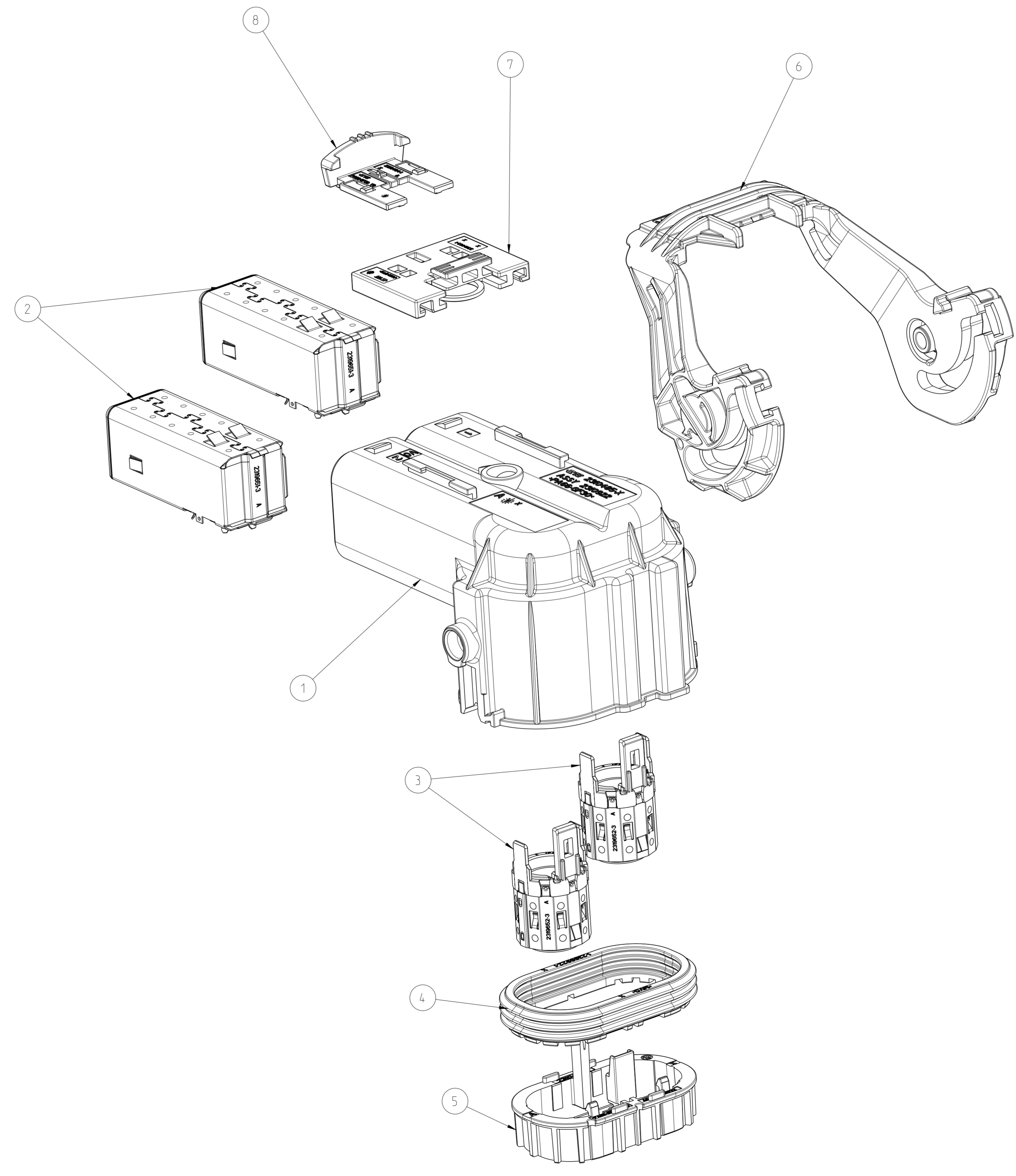
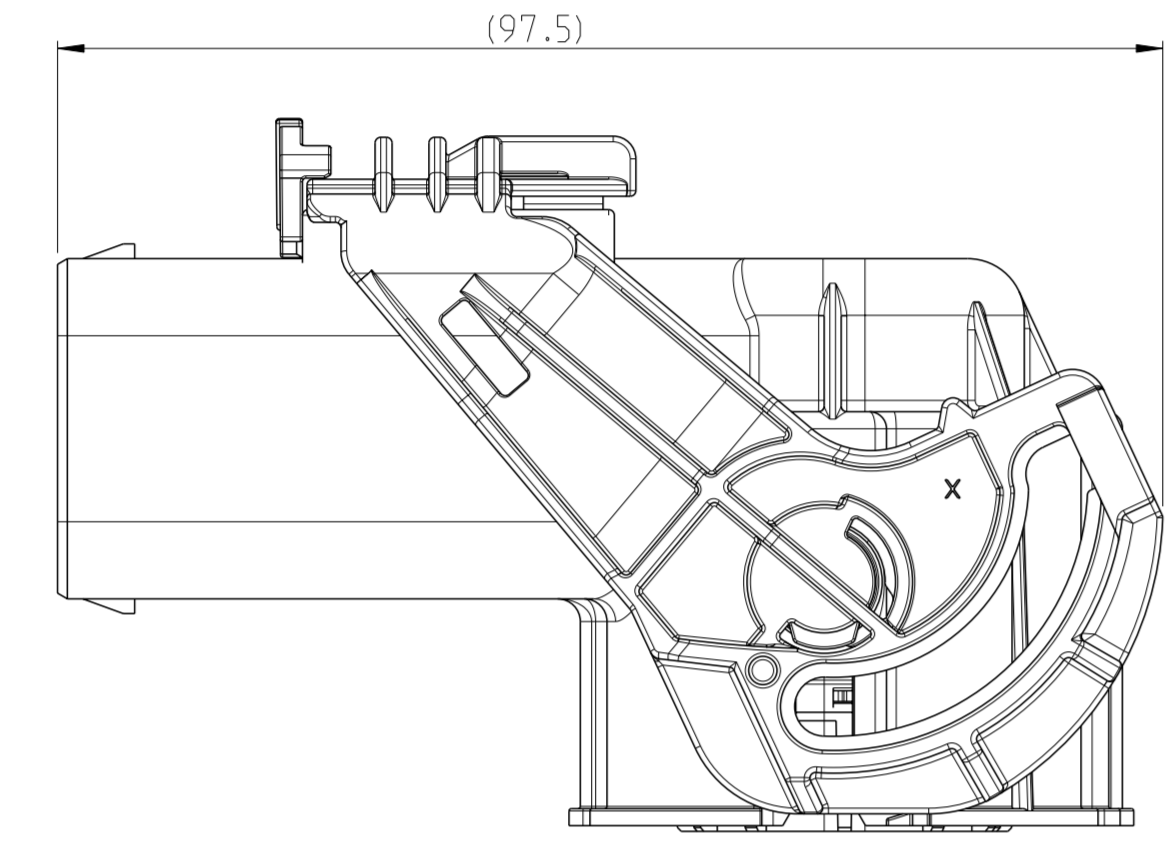
COD.	TE ASSY-NO.	ASSY-REV	QTY	DESCRIPTION	MATERIAL	WEIGHT (g)	SURFACE COLOUR	ITEM
D	2-2310922-4	A	1	CPA	PA66-GF V0	141.6	RED SIM RAL 3000	8
			1	ADAPTER	PA66-GF V0	-	DUSTY GRAY SIM RAL 7037	7
			1	LEVER, 2POS, 90 DEG	PA66-GF HB	-	WHITE SIM RAL 9010 (9001)	6
			1	2POS, MCON-1.2, REC HSG, 90 DEG, Assy	-	-	-	5
			1	RADIAL SEAL	SILICONE RUBBER	-	WHITE SIM RAL 9010	4
			2	ASSY: ISULATION INSERT - SHIELDING	△	-	-	3
			2	ASSY: ISULATION INSERT - SHIELDING	△	-	-	2
C	2-2310922-3	A	1	CPA	PA66-GF V0	141.6	RED SIM RAL 3000	8
			1	ADAPTER	PA66-GF V0	-	DUSTY GRAY SIM RAL 7037	7
			1	LEVER, 2POS, 90 DEG	PA66-GF HB	-	BLACK SIM RAL 9005 (9011)	6
			1	2POS, MCON-1.2, REC HSG, 90 DEG, Assy	-	-	-	5
			1	RADIAL SEAL	SILICONE RUBBER	-	WHITE SIM RAL 9010	4
			2	ASSY: ISULATION INSERT - SHIELDING	△	-	-	3
			2	ASSY: ISULATION INSERT - SHIELDING	△	-	-	2
B	2-2310922-2	B	1	CPA	PA66-GF V0	141.6	RED SIM RAL 3000	8
			1	ADAPTER	PA66-GF V0	-	DUSTY GRAY SIM RAL 7037	7
			1	LEVER, 2POS, 90 DEG	PA66-GF HB	-	WHITE SIM RAL 9010 (9001)	6
			1	2POS, MCON-1.2, REC HSG, 90 DEG, Assy	-	-	-	5
			1	RADIAL SEAL	SILICONE RUBBER	-	WHITE SIM RAL 9010	4
			2	ASSY: ISULATION INSERT - SHIELDING	△	-	-	3
			2	ASSY: ISULATION INSERT - SHIELDING	△	-	-	2
A	2-2310922-1	B	1	CPA	PA66-GF V0	141.6	RED SIM RAL 3000	8
			1	ADAPTER	PA66-GF V0	-	DUSTY GRAY SIM RAL 7037	7
			1	LEVER, 2POS, 90 DEG	PA66-GF HB	-	BLACK SIM RAL 9005 (9011)	6
			1	2POS, MCON-1.2, REC HSG, 90 DEG, Assy	-	-	-	5
			1	RADIAL SEAL	SILICONE RUBBER	-	WHITE SIM RAL 9010	4
			2	ASSY: ISULATION INSERT - SHIELDING	△	-	-	3
			2	ASSY: ISULATION INSERT - SHIELDING	△	-	-	2
1	2POS, 8MM HV, REC HSG, 90 DEG, SEALED	PA66-GF HB	-	ORANGE SIM RAL 2003	1			

2--1 AS SHOWN

THIS DRAWING IS A CONTROLLED DOCUMENT.		DATE: 12 JUL 2017	BY: J.L.L.
DIMENSIONS: (mm)		DATE: 24 JUL 2017	BY: S.Y. WANG
TOLERANCES UNLESS OTHERWISE SPECIFIED:		DATE: 02 AUG 2017	BY: J.W. LIN
Ø	±0.05	DATE: 10 SEP 2017	BY: J.W. LIN
PL	±0.01	DATE: 10 SEP 2017	BY: J.W. LIN
PC	±0.005	DATE: 10 SEP 2017	BY: J.W. LIN
ANGLE	±0.05	DATE: 10 SEP 2017	BY: J.W. LIN
MATERIAL: F4HGH_SPEC_2		DATE: 10 SEP 2017	BY: J.W. LIN
CUSTOMER DRAWING		DATE: 10 SEP 2017	BY: J.W. LIN
SCALE: 1:1		DATE: 10 SEP 2017	BY: J.W. LIN
SHEET: 3 of 4		DATE: 10 SEP 2017	BY: J.W. LIN



CODINGS



COD.	TE	ASSY-NO.	ASSY-REV	QTY	DESCRIPTION	MATERIAL	WEIGHT (g)	SURFACE COLOUR	ITEM
D	3-2310922-4	A	1	CPA	PA66-GF V0	(14.1.6)	RED SIM RAL 3000	8	8
			1	ADAPTER	PA66-GF V0		DUSTY GRAY SIM RAL 7037	7	
			1	LEVER, 2POS, 90 DEG	PA66-GF V0		WHITE SIM RAL 9010 (9001)	6	
			1	2POS. MCON-1.2, REC HSG, 90 DEG, Assy	-		-	5	
			1	RADIAL SEAL	SILICONE RUBBER		LIGHT BLUE	4	
			2	ASSY. ISULATION INSERT - SHIELDING	△		-	3	
			2	ASSY. ISULATION INSERT - SHIELDING	△		-	2	
C	3-2310922-3	A	1	CPA	PA66-GF V0	(14.1.6)	RED SIM RAL 3000	8	8
			1	ADAPTER	PA66-GF V0		DUSTY GRAY SIM RAL 7037	7	
			1	LEVER, 2POS, 90 DEG	PA66-GF V0		BLACK SIM RAL 9005 (9011)	6	
			1	2POS. MCON-1.2, REC HSG, 90 DEG, Assy	-		-	5	
			1	RADIAL SEAL	SILICONE RUBBER		LIGHT BLUE	4	
			2	ASSY. ISULATION INSERT - SHIELDING	△		-	3	
			2	ASSY. ISULATION INSERT - SHIELDING	△		-	2	
B	3-2310922-2	B	1	CPA	PA66-GF V0	(14.1.6)	RED SIM RAL 3000	8	8
			1	ADAPTER	PA66-GF V0		DUSTY GRAY SIM RAL 7037	7	
			1	LEVER, 2POS, 90 DEG	PA66-GF V0		WHITE SIM RAL 9010 (9001)	6	
			1	2POS. MCON-1.2, REC HSG, 90 DEG, Assy	-		-	5	
			1	RADIAL SEAL	SILICONE RUBBER		LIGHT BLUE	4	
			2	ASSY. ISULATION INSERT - SHIELDING	△		-	3	
			2	ASSY. ISULATION INSERT - SHIELDING	△		-	2	
A	3-2310922-1	B	1	CPA	PA66-GF V0	(14.1.6)	RED SIM RAL 3000	8	8
			1	ADAPTER	PA66-GF V0		DUSTY GRAY SIM RAL 7037	7	
			1	LEVER, 2POS, 90 DEG	PA66-GF V0		BLACK SIM RAL 9005 (9011)	6	
			1	2POS. MCON-1.2, REC HSG, 90 DEG, Assy	-		-	5	
			1	RADIAL SEAL	SILICONE RUBBER		LIGHT BLUE	4	
			2	ASSY. ISULATION INSERT - SHIELDING	△		-	3	
			2	ASSY. ISULATION INSERT - SHIELDING	△		-	2	
1	2POS. 8MM HV, REC HSG, 90 DEG, SEALED	PA66-GF V0	ORANGE SIM RAL 2003	1					

REVISIONS			
REV	DATE	BY	APPV
1			

3--1 AS SHOWN

THIS DRAWING IS A CONTROLLED DOCUMENT. DATE: 12 JUL 2017. DRAWN BY: J.L.L. CHECKED BY: S.Y. WANG. APPROVED BY: J. WANG. DATE: 24 JUL 2017. DATE: 02 AUG 2017. NAME: 2POS, 8mm HV, REC HSG, 90 DEG. ASSY SEALED. REFERENCE: REFER TO 100-32233. REFER TO 114-32213. SIZE: A0. CASE CODE: 00779. DRAWING NO: 2310922. SCALE: 1:1. SHEET 6 OF 6. PART: B4.