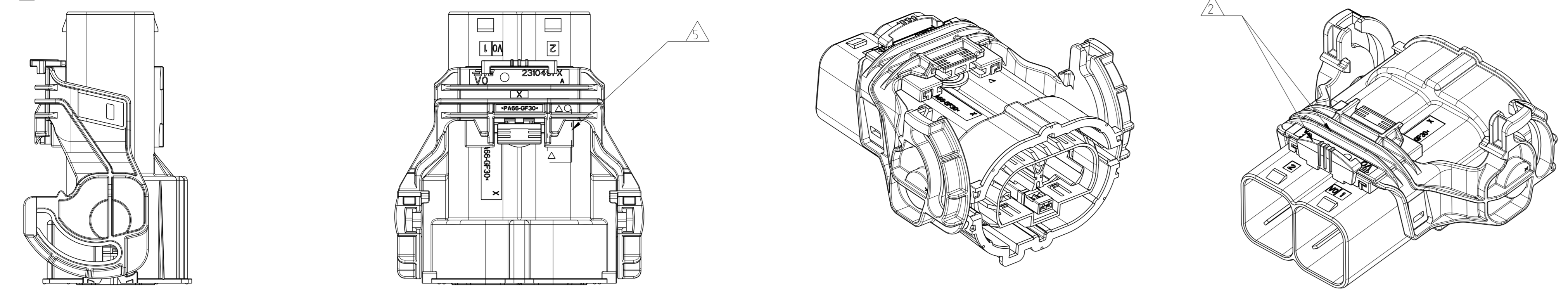
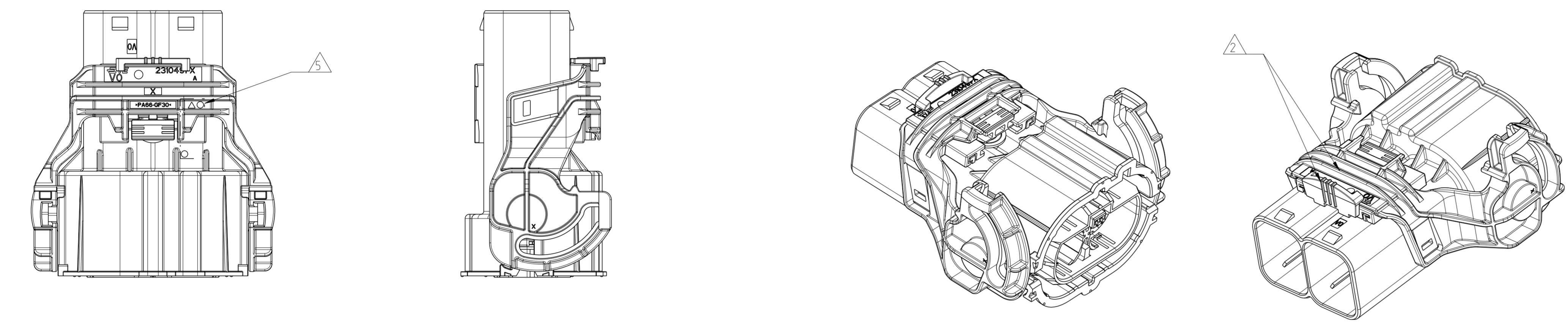


SYMBOL Δ VERSION

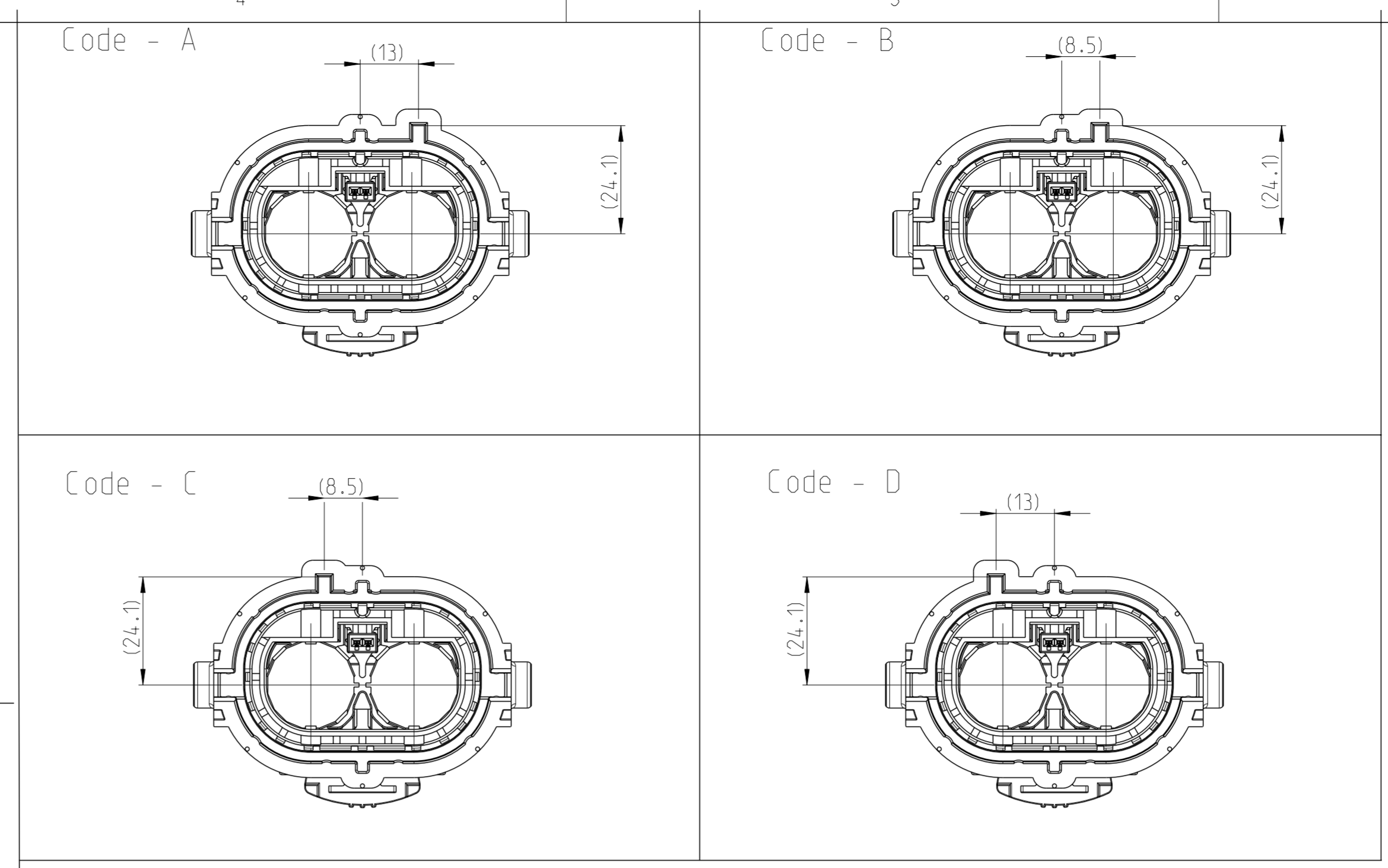


-1/3/5/7 AS SHOWN FOR LEVER ORIENTATION

SYMBOL \circ VERSION



-2/4/6/8 AS SHOWN FOR LEVER ORIENTATION



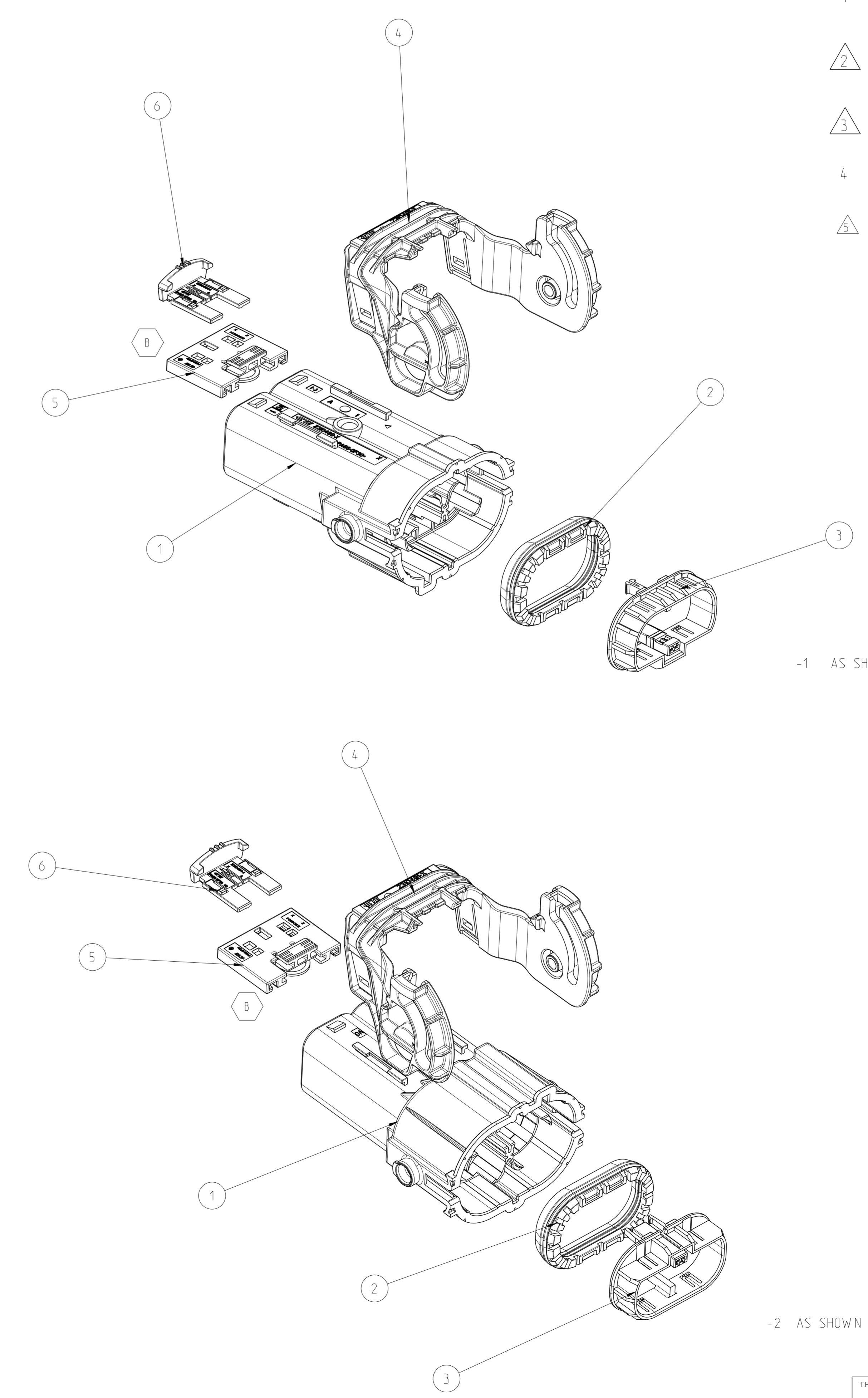
VIEWS WITHOUT LEVER CODINGS

REVISIONS				
REV	DATE	DESCRIPTION	BY	APPD
A1	22MAY19	REVISED ECR-18-007819	JL	EJ
A2	16APR19	REVISED ECR-19-006021	ZZ	EJ
B	14MAY20	REVISED ECR-20-005136	EZ	EJ
B1	23MAY2022	ECN-22-155344	LY	EJ

NOTES

- 1 SUITABLE WIRE RANGE: 25-50mm2 ACC. TO LV216
- Δ DELIVERY CONDITION: LEVER IN END-LOCKING POSITION, CPA CLOSED
- Δ FOR HB VERSION REFER TO DRAWING 2177053
- 4 PACKAGED IN CORRUGATED SHIPPING BOX
- Δ VISUAL CONTROL OF VARIANT SEE TABLE

COD.	TE ASSY-NO.	QTY	DESCRIPTION	MATERIAL	WEIGHT [g]	SURFACE COLOUR	ITEM SYMBOL
D	2310923-8	1	CPA	PA66-GF UL94 V0 Δ	6	RED	\circ
		1	CPA-ADAPTER	PA66-GF UL94 V0 Δ	5	DUSTY-GREY	Δ
		1	LEVER, 2POS, 180 DEG	PA66-GF UL94 V0 Δ	4	WHITE	Δ
		1	2POS, MCDN-1.2, REC HSG, 180 DEG, Assy	-	3	-	Δ
		1	RADIAL SEAL	MVQ	2	NATURAL	Δ
		1	2POS, 8MM HV, REC HSG, 180 DEG, SEALED	PA66-GF UL94 V0 Δ	1	ORANGE	Δ
D	2310923-7	1	CPA	PA66-GF UL94 V0 Δ	6	RED	Δ
		1	CPA-ADAPTER	PA66-GF UL94 V0 Δ	5	DUSTY-GREY	Δ
		1	LEVER, 2POS, 180 DEG	PA66-GF UL94 V0 Δ	4	WHITE	Δ
		1	2POS, MCDN-1.2, REC HSG, 180 DEG, Assy	-	3	-	Δ
		1	RADIAL SEAL	MVQ	2	NATURAL	Δ
		1	2POS, 8MM HV, REC HSG, 180 DEG, SEALED	PA66-GF UL94 V0 Δ	1	ORANGE	Δ
C	2310923-6	1	CPA	PA66-GF UL94 V0 Δ	6	RED	\circ
		1	CPA-ADAPTER	PA66-GF UL94 V0 Δ	5	DUSTY-GREY	Δ
		1	LEVER, 2POS, 180 DEG	PA66-GF UL94 V0 Δ	4	BLACK	Δ
		1	2POS, MCDN-1.2, REC HSG, 180 DEG, Assy	-	3	-	Δ
		1	RADIAL SEAL	MVQ	2	NATURAL	Δ
		1	2POS, 8MM HV, REC HSG, 180 DEG, SEALED	PA66-GF UL94 V0 Δ	1	ORANGE	Δ
C	2310923-5	1	CPA	PA66-GF UL94 V0 Δ	6	RED	Δ
		1	CPA-ADAPTER	PA66-GF UL94 V0 Δ	5	DUSTY-GREY	Δ
		1	LEVER, 2POS, 180 DEG	PA66-GF UL94 V0 Δ	4	BLACK	Δ
		1	2POS, MCDN-1.2, REC HSG, 180 DEG, Assy	-	3	-	Δ
		1	RADIAL SEAL	MVQ	2	NATURAL	Δ
		1	2POS, 8MM HV, REC HSG, 180 DEG, SEALED	PA66-GF UL94 V0 Δ	1	ORANGE	Δ
B	2310923-4	1	CPA	PA66-GF UL94 V0 Δ	6	RED	\circ
		1	CPA-ADAPTER	PA66-GF UL94 V0 Δ	5	DUSTY-GREY	Δ
		1	LEVER, 2POS, 180 DEG	PA66-GF UL94 V0 Δ	4	WHITE	Δ
		1	2POS, MCDN-1.2, REC HSG, 180 DEG, Assy	-	3	-	Δ
		1	RADIAL SEAL	MVQ	2	NATURAL	Δ
		1	2POS, 8MM HV, REC HSG, 180 DEG, SEALED	PA66-GF UL94 V0 Δ	1	ORANGE	Δ
B	2310923-3	1	CPA	PA66-GF UL94 V0 Δ	6	RED	Δ
		1	CPA-ADAPTER	PA66-GF UL94 V0 Δ	5	DUSTY-GREY	Δ
		1	LEVER, 2POS, 180 DEG	PA66-GF UL94 V0 Δ	4	WHITE	Δ
		1	2POS, MCDN-1.2, REC HSG, 180 DEG, Assy	-	3	-	Δ
		1	RADIAL SEAL	MVQ	2	NATURAL	Δ
		1	2POS, 8MM HV, REC HSG, 180 DEG, SEALED	PA66-GF UL94 V0 Δ	1	ORANGE	Δ
A	2310923-2	1	CPA	PA66-GF UL94 V0 Δ	6	RED	\circ
		1	CPA-ADAPTER	PA66-GF UL94 V0 Δ	5	DUSTY-GREY	Δ
		1	LEVER, 2POS, 180 DEG	PA66-GF UL94 V0 Δ	4	BLACK	Δ
		1	2POS, MCDN-1.2, REC HSG, 180 DEG, Assy	-	3	-	Δ
		1	RADIAL SEAL	MVQ	2	NATURAL	Δ
		1	2POS, 8MM HV, REC HSG, 180 DEG, SEALED	PA66-GF UL94 V0 Δ	1	ORANGE	Δ
A	2310923-1	1	CPA	PA66-GF UL94 V0 Δ	6	RED	Δ
		1	CPA-ADAPTER	PA66-GF UL94 V0 Δ	5	DUSTY-GREY	Δ
		1	LEVER, 2POS, 180 DEG	PA66-GF UL94 V0 Δ	4	BLACK	Δ
		1	2POS, MCDN-1.2, REC HSG, 180 DEG, Assy	-	3	-	Δ
		1	RADIAL SEAL	MVQ	2	NATURAL	Δ
		1	2POS, 8MM HV, REC HSG, 180 DEG, SEALED	PA66-GF UL94 V0 Δ	1	ORANGE	Δ



-2 AS SHOWN

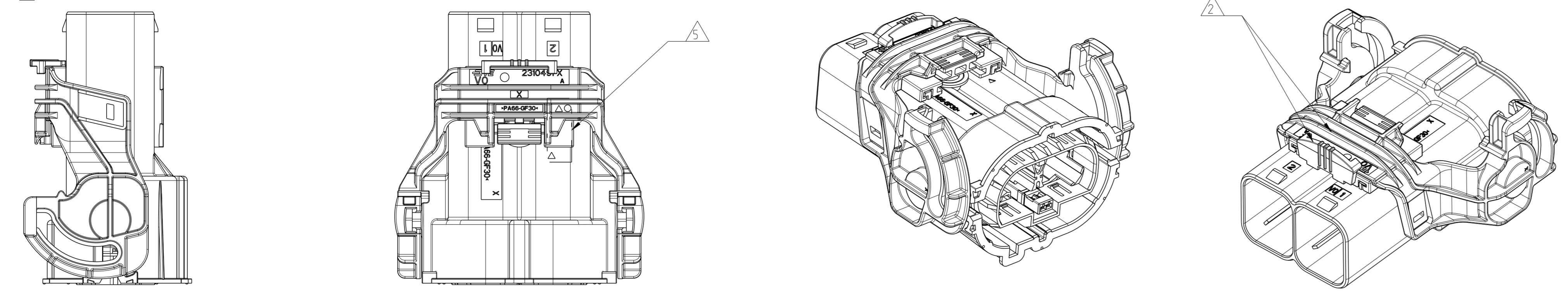
THIS DRAWING IS A CONTROLLED DOCUMENT.

REVISED BY	DATE	DESCRIPTION
J.LI	16SEP2017	
C.H.	16SEP2017	
E.JIANG	16SEP2017	
MXY	18SEP2017	

NAME: 2POS, 8mm HV, REC HSG, 180DEG, ASSY
 SEALED
 SIZE: A0 00779 C=2310923
 SCALE: 1:1 SHEET: 1 of 2

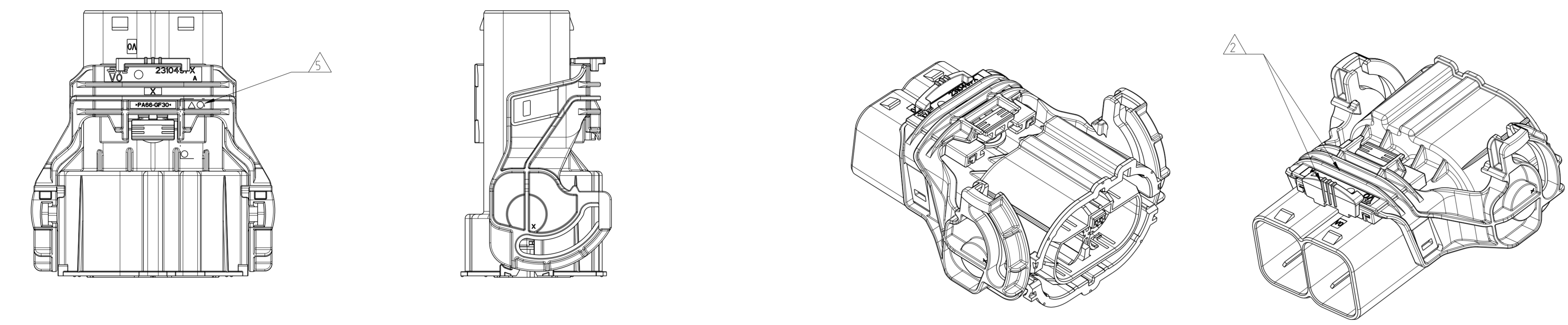
STE TE Connectivity

SYMBOL Δ Δ VERSION

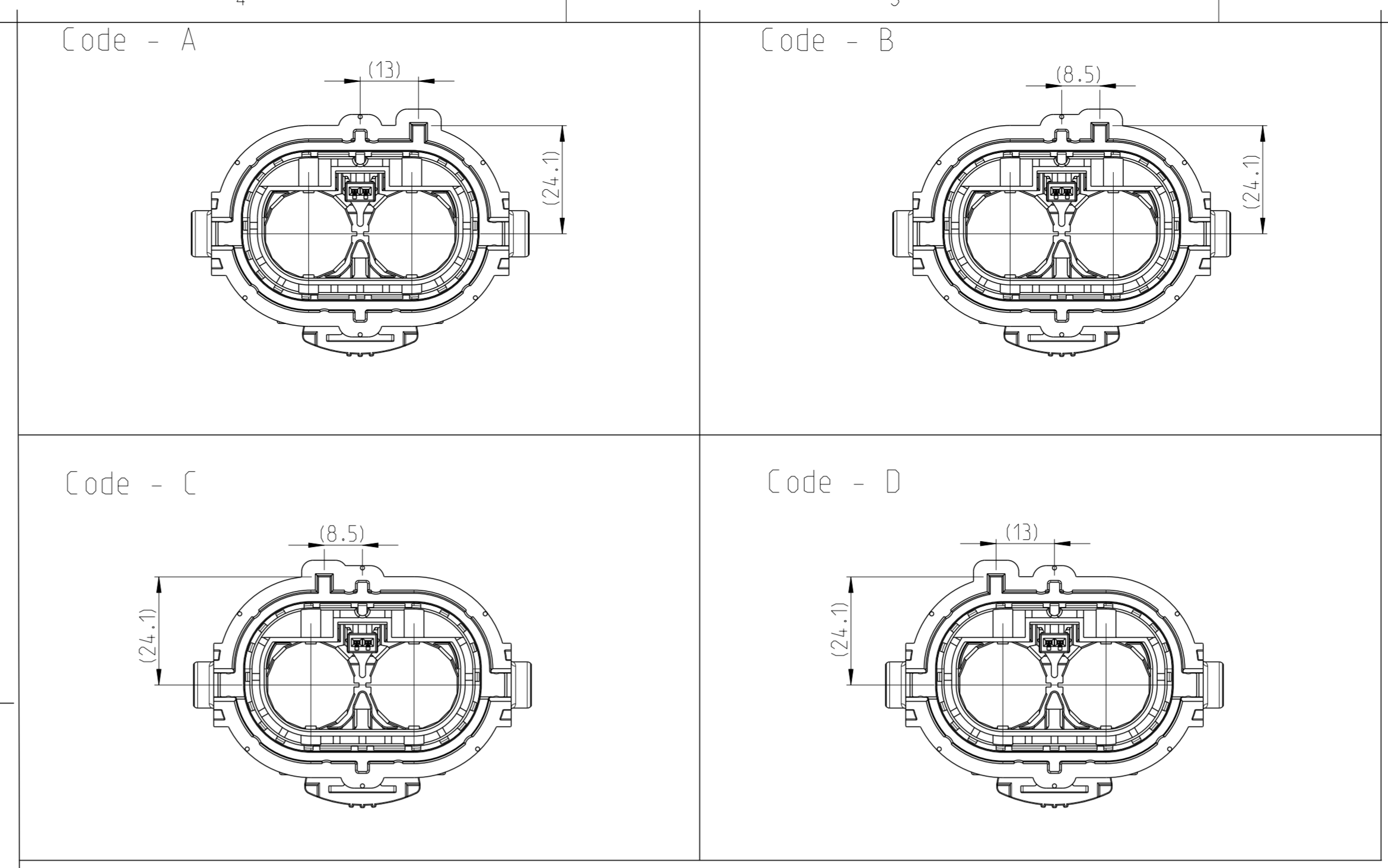


1-1/3/5/7 AS SHOWN FOR LEVER ORIENTATION

SYMBOL \circ \circ VERSION



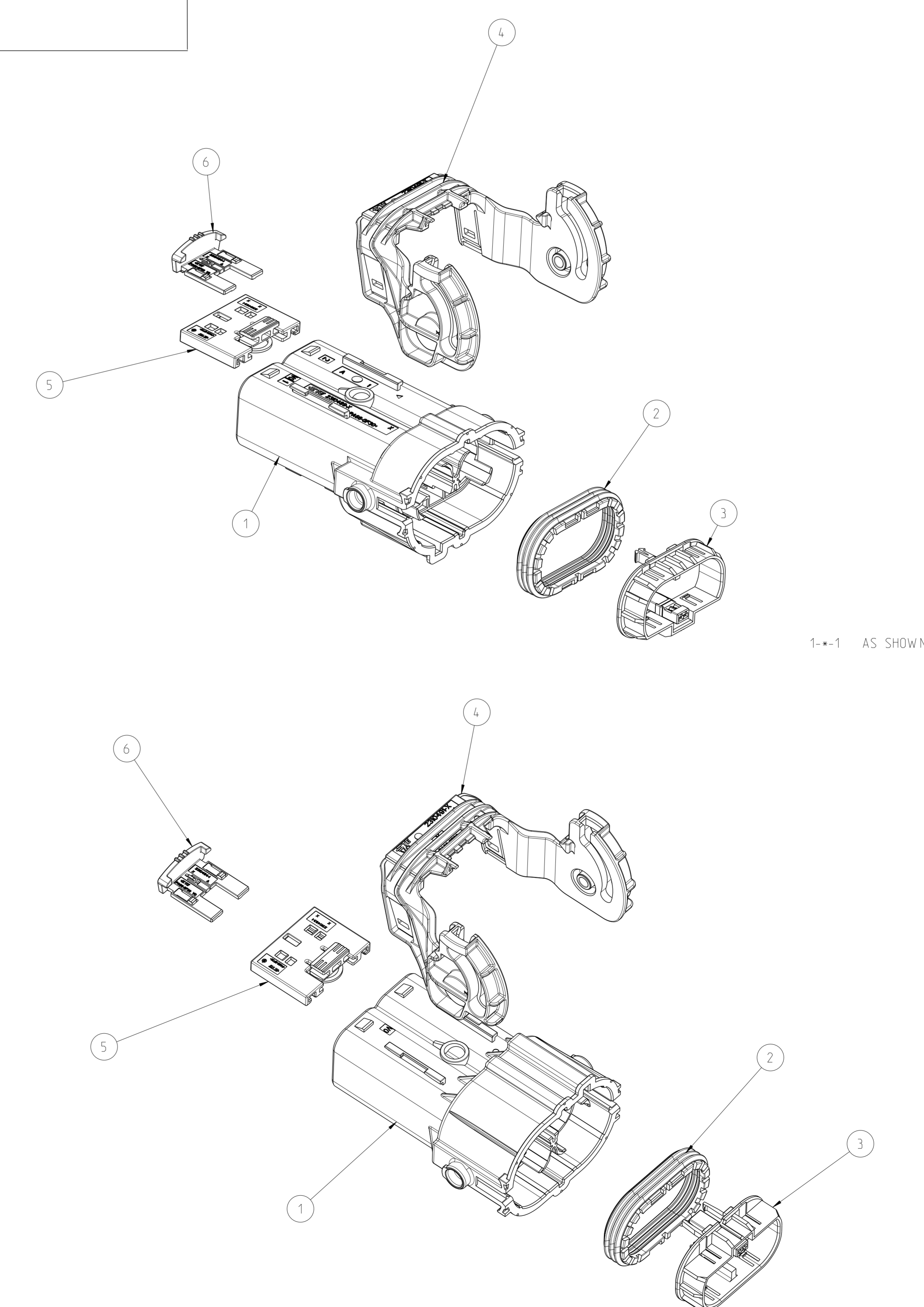
1-2/4/6/8 AS SHOWN FOR LEVER ORIENTATION



VIEWS W/OUT LEVER CODINGS

REVISIONS			
REV	DATE	BY	APPD
-	-	-	-
-	-	-	-
-	-	-	-

COD.	TE ASSY-NO.	QTY	DESCRIPTION	MATERIAL	WEIGHT (g)	SURFACE COLOUR	ITEM SYMBOL
D	1-2310923-8	1	CPA	PA66-GF UL94 V0 Δ	6	RED	\circ
		1	CPA-ADAPTER	PA66-GF UL94 V0 Δ	5	DUSTY-GREY	Δ
		1	LEVER, 2POS, 180 DEG	PA66-GF UL94 V0 Δ	4	WHITE	Δ
		1	2POS, MCDN-1.2, REC HSG, 180 DEG, Assy	-	3	-	Δ
		1	RADIAL SEAL	MVQ	2	LIGHT BLUE	Δ
		1	2POS, 8MM HV, REC HSG, 180 DEG, SEALED	PA66-GF UL94 V0 Δ	1	ORANGE	Δ
D	1-2310923-7	1	CPA	PA66-GF UL94 V0 Δ	6	RED	Δ
		1	CPA-ADAPTER	PA66-GF UL94 V0 Δ	5	DUSTY-GREY	Δ
		1	LEVER, 2POS, 180 DEG	PA66-GF UL94 V0 Δ	4	WHITE	Δ
		1	2POS, MCDN-1.2, REC HSG, 180 DEG, Assy	-	3	-	Δ
		1	RADIAL SEAL	MVQ	2	LIGHT BLUE	Δ
		1	2POS, 8MM HV, REC HSG, 180 DEG, SEALED	PA66-GF UL94 V0 Δ	1	ORANGE	Δ
C	1-2310923-6	1	CPA	PA66-GF UL94 V0 Δ	6	RED	\circ
		1	CPA-ADAPTER	PA66-GF UL94 V0 Δ	5	DUSTY-GREY	Δ
		1	LEVER, 2POS, 180 DEG	PA66-GF UL94 V0 Δ	4	BLACK	Δ
		1	2POS, MCDN-1.2, REC HSG, 180 DEG, Assy	-	3	-	Δ
		1	RADIAL SEAL	MVQ	2	LIGHT BLUE	Δ
		1	2POS, 8MM HV, REC HSG, 180 DEG, SEALED	PA66-GF UL94 V0 Δ	1	ORANGE	Δ
C	1-2310923-5	1	CPA	PA66-GF UL94 V0 Δ	6	RED	Δ
		1	CPA-ADAPTER	PA66-GF UL94 V0 Δ	5	DUSTY-GREY	Δ
		1	LEVER, 2POS, 180 DEG	PA66-GF UL94 V0 Δ	4	BLACK	Δ
		1	2POS, MCDN-1.2, REC HSG, 180 DEG, Assy	-	3	-	Δ
		1	RADIAL SEAL	MVQ	2	LIGHT BLUE	Δ
		1	2POS, 8MM HV, REC HSG, 180 DEG, SEALED	PA66-GF UL94 V0 Δ	1	ORANGE	Δ
B	1-2310923-4	1	CPA	PA66-GF UL94 V0 Δ	6	RED	\circ
		1	CPA-ADAPTER	PA66-GF UL94 V0 Δ	5	DUSTY-GREY	Δ
		1	LEVER, 2POS, 180 DEG	PA66-GF UL94 V0 Δ	4	WHITE	Δ
		1	2POS, MCDN-1.2, REC HSG, 180 DEG, Assy	-	3	-	Δ
		1	RADIAL SEAL	MVQ	2	LIGHT BLUE	Δ
		1	2POS, 8MM HV, REC HSG, 180 DEG, SEALED	PA66-GF UL94 V0 Δ	1	ORANGE	Δ
B	1-2310923-3	1	CPA	PA66-GF UL94 V0 Δ	6	RED	Δ
		1	CPA-ADAPTER	PA66-GF UL94 V0 Δ	5	DUSTY-GREY	Δ
		1	LEVER, 2POS, 180 DEG	PA66-GF UL94 V0 Δ	4	WHITE	Δ
		1	2POS, MCDN-1.2, REC HSG, 180 DEG, Assy	-	3	-	Δ
		1	RADIAL SEAL	MVQ	2	LIGHT BLUE	Δ
		1	2POS, 8MM HV, REC HSG, 180 DEG, SEALED	PA66-GF UL94 V0 Δ	1	ORANGE	Δ
A	1-2310923-2	1	CPA	PA66-GF UL94 V0 Δ	6	RED	\circ
		1	CPA-ADAPTER	PA66-GF UL94 V0 Δ	5	DUSTY-GREY	Δ
		1	LEVER, 2POS, 180 DEG	PA66-GF UL94 V0 Δ	4	BLACK	Δ
		1	2POS, MCDN-1.2, REC HSG, 180 DEG, Assy	-	3	-	Δ
		1	RADIAL SEAL	MVQ	2	LIGHT BLUE	Δ
		1	2POS, 8MM HV, REC HSG, 180 DEG, SEALED	PA66-GF UL94 V0 Δ	1	ORANGE	Δ
A	1-2310923-1	1	CPA	PA66-GF UL94 V0 Δ	6	RED	Δ
		1	CPA-ADAPTER	PA66-GF UL94 V0 Δ	5	DUSTY-GREY	Δ
		1	LEVER, 2POS, 180 DEG	PA66-GF UL94 V0 Δ	4	BLACK	Δ
		1	2POS, MCDN-1.2, REC HSG, 180 DEG, Assy	-	3	-	Δ
		1	RADIAL SEAL	MVQ	2	LIGHT BLUE	Δ
		1	2POS, 8MM HV, REC HSG, 180 DEG, SEALED	PA66-GF UL94 V0 Δ	1	ORANGE	Δ



1-2 AS SHOWN

1-2 AS SHOWN

THIS DRAWING IS A CONTROLLED DOCUMENT.		REV	DATE	BY	APPD
DIMENSIONS: MILLIMETERS UNLESS OTHERWISE SPECIFIED.		0	16SEP2017	J.LI	16SEP2017
TOLERANCES: DIMENSIONS: ±0.5		1	16SEP2017	E.JIANG	16SEP2017
MATERIAL: FRITEN_SPEC-2		2	18SEP2017	WUYI	18SEP2017
CUSTOMER DRAWING		NAME		2POS, 8mm HV, REC HSG, 180DEG, ASSY	
SCALE: 1:1		SIZE		A0	
SHEET 2 OF 2		DRAWING NO		00779	
REV B1		SEAL		2310923	