

4

3

2

1

THIS DRAWING IS UNPUBLISHED.

RELEASED FOR PUBLICATION

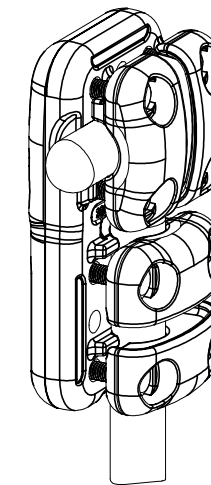
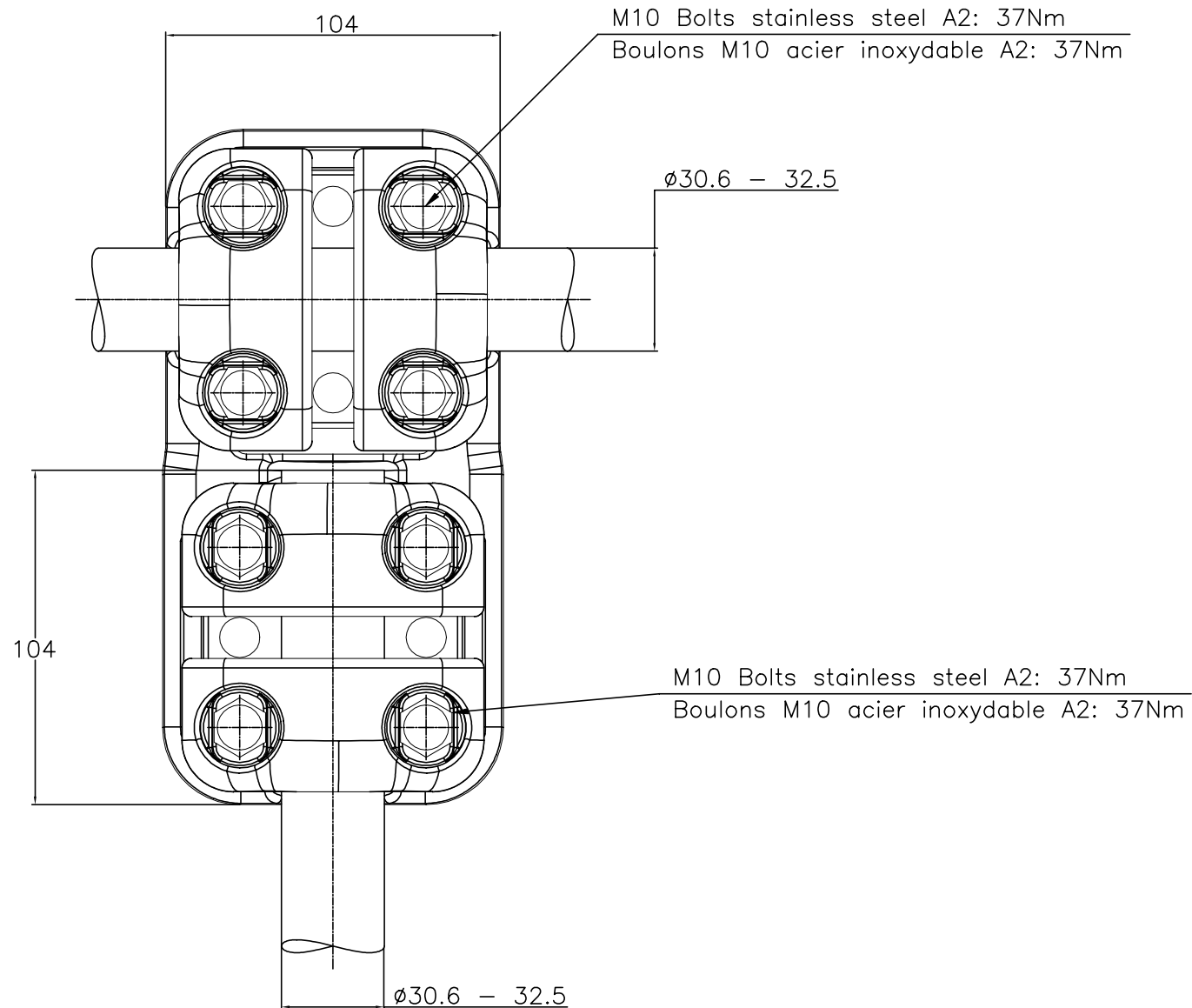
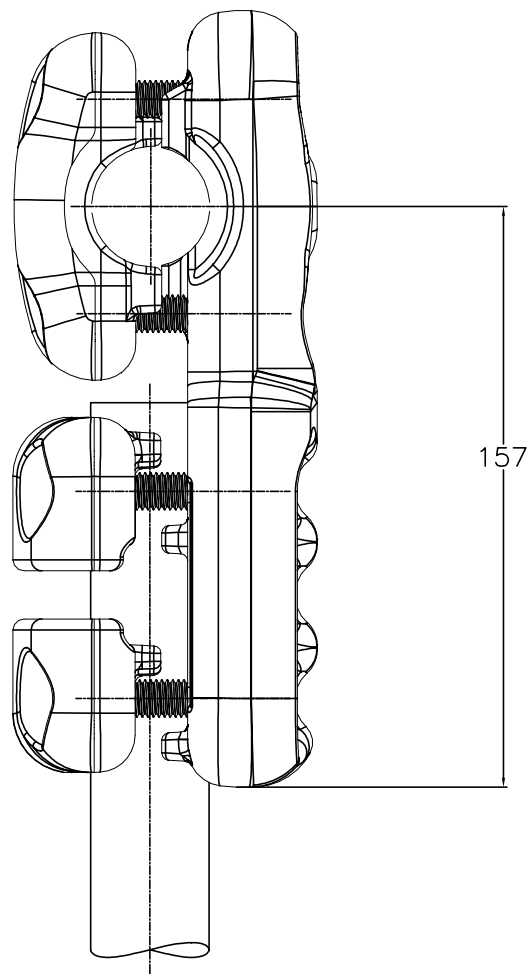
-. - .

REVISIONS

© COPYRIGHT - By -

ALL RIGHTS RESERVED.

P	LTR	DESCRIPTION	DATE	DWN	APVD
A		CREATION	02-Dec-16	JG	-
B		3D VIEW ADDED	25JUN2021	RS	CG



No scale - sans echelle

THIS DRAWING IS A CONTROLLED DOCUMENT.		DWN	GODARD		02-Dec-16
DIMENSIONS:		CHK	-		
mm		APVD	-		
TOLERANCES UNLESS OTHERWISE SPECIFIED:		PRODUCT SPEC	108-69096-001		
0 PLC ± -		APPLICATION SPEC	-		
1 PLC ± -		SIZE	CAGE CODE	DRAWING NO	RESTRICTED TO
2 PLC ± -		A3 00779		©=2313016	-
3 PLC ± -		APPROX.WEIGHT 2.2 kg		SCALE	SHEET
4 PLC ± -		CUSTOMER DRAWING		1:2	1 of 1
ANGLES ± -		FINISH		REV	B
MATERIAL		-		-	



5 CT 82 M325

ITEM:.....