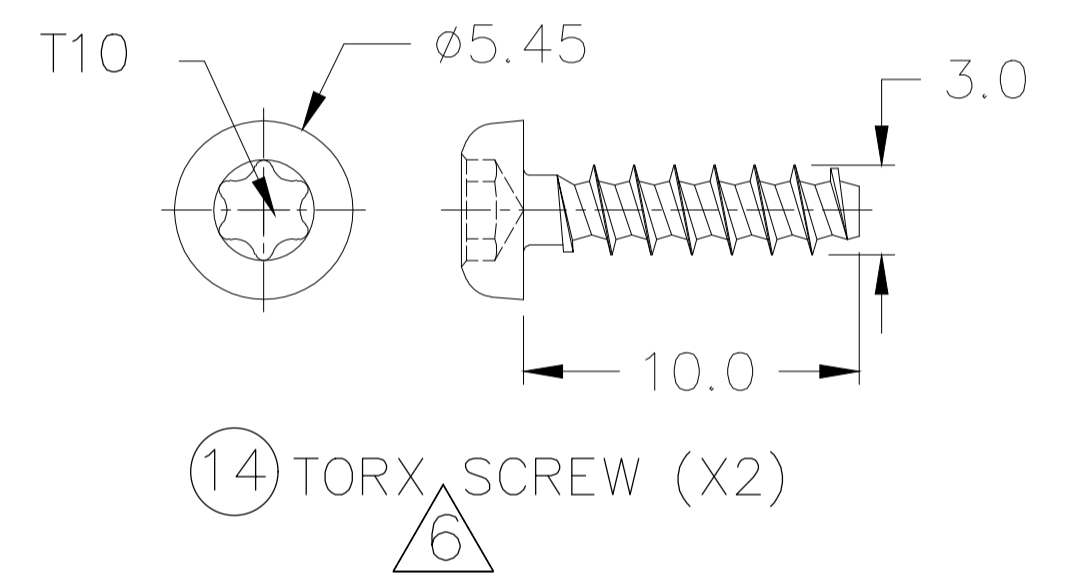
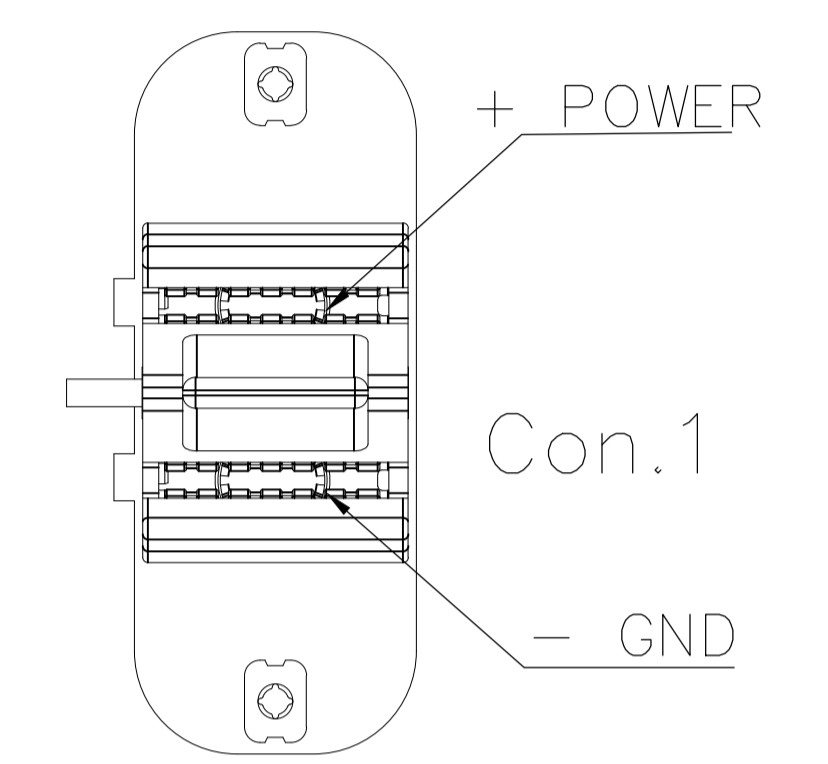
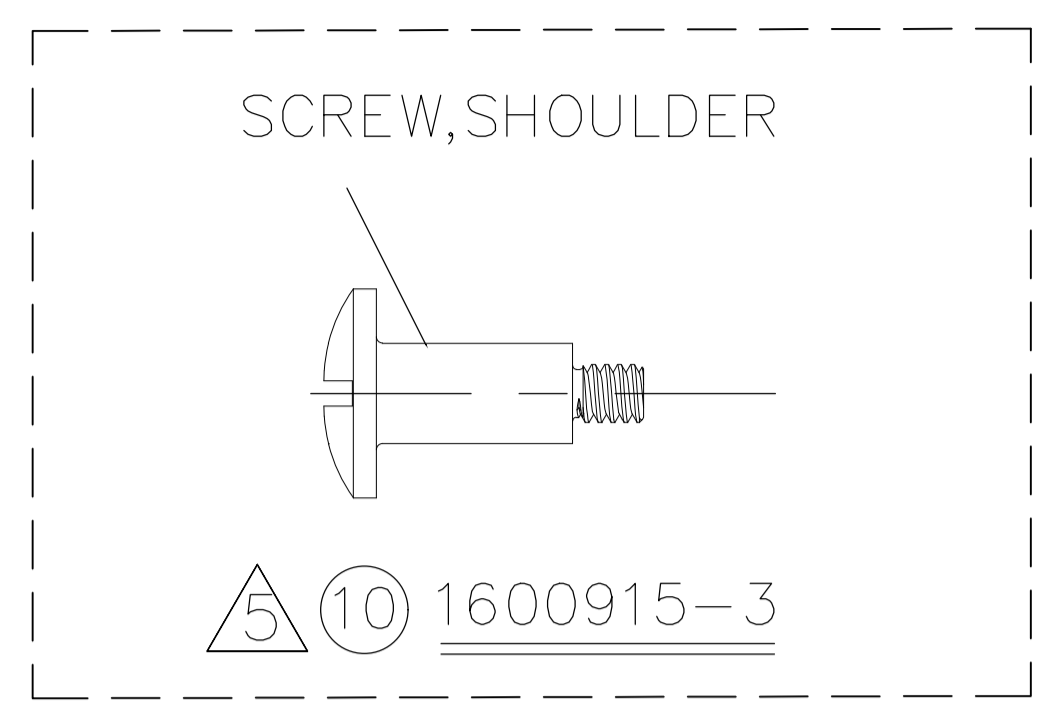
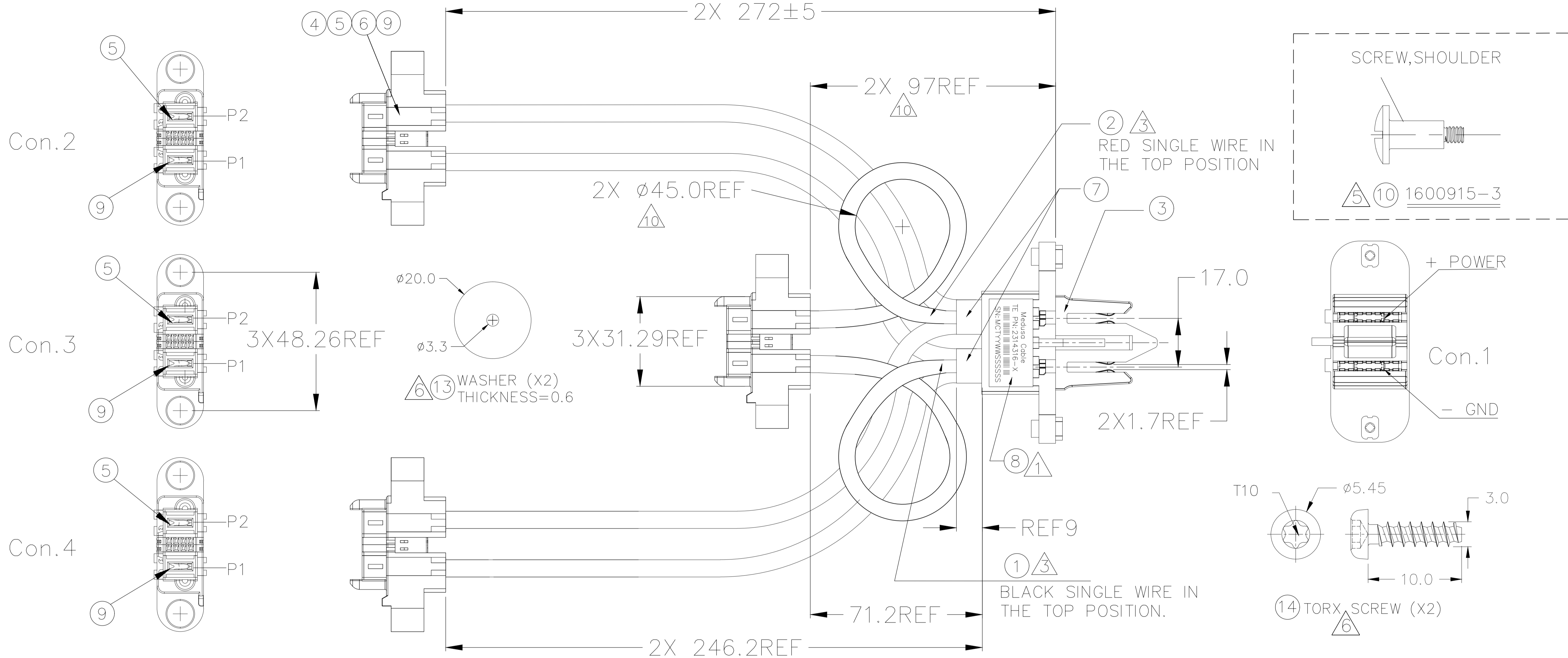


REVISIONS				
P	LTR	DESCRIPTION	DATE	DWN
A3		UPDATE PER ECO-20-000225	07JAN2020	TZ WY



NOTES:
 1. THE MARKING TEXT AS FOLLOWS:

Medusa Cable
 TE PN: 2314316-X
 SN: MCTYYWSSSSSS

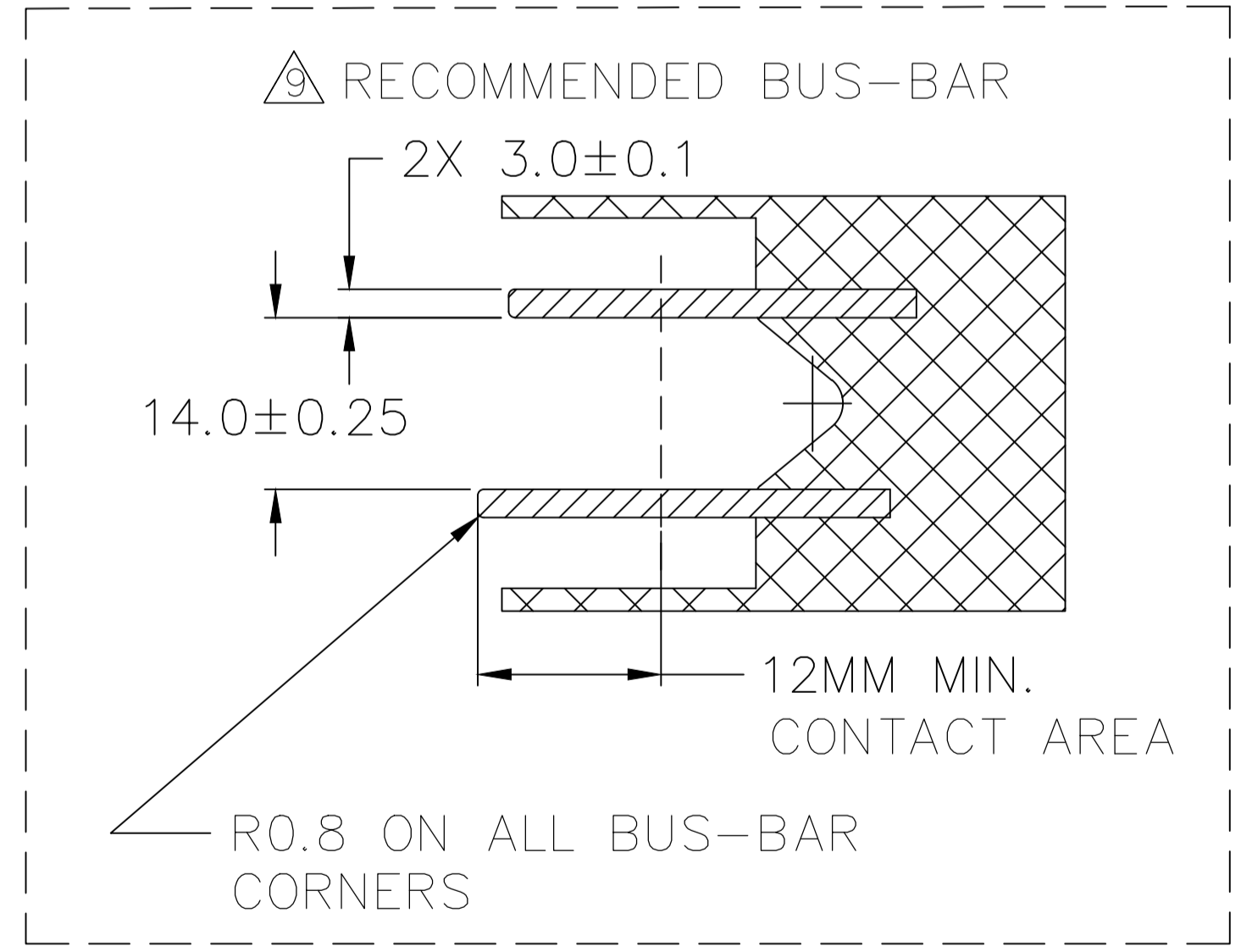
TE PN
 BAR CODE
 MCT-Medusa Cable.YYWW-DATE CODE,SSSSSS-SERIES NUMBER.

- 100% ELECTRICALLY TESTED: OPEN/SHORT,HI-POT.
 HI-POT: 500VDC, 50 MEGA OHMS FOR 100 MILLISECONDS.
- SINGLE WIRE WILL BE ALTERNATING PATTERN WHEN CRIMPING CCJ TERMINAL.
- ROHS COMPLIANCE: PRODUCT AND PROCESSING MEETS REQUIREMENTS OF TE SPECIFICATION TEC-138-702.
- HARDWARE KIT FOR MBXLE ONLY SCREW IS SUPPLIED BY TE. THE SCREWS WILL BE PACKAGED SEPARATELY. NUT WILL BE SUPPLIED BY CUSTOMER.
- SCREWS AND WASHERS FOR CCJ HOUSING WILL BE PACKAGED SEPARATELY. RECOMMENDED TORQUE 0.8N.m
- INDIVIDUALLY PACK EACH CABLE ASSEMBLY WITH A CLEAR ANTI-STATIC ZIPLOCK BAG.
- APPLY LABEL ONTO CLEAR ANTI-STATIC ZIPLOCK BAG,THE MARKING TEXT AS FOLLOWS:

TE P/N
 DATE CODE: YYWW
 MADE IN ****

TE PN
 YY: Year; WW: week.
 Country of Origin

- THE MATED BUS-BAR SHOULD HAVE SURFACE ROUGHNESS Ra 1.6um MAX. SHOULD HAVE PLATING 3um MIN. SILVER ON CONTACT AREA, AND 1.27um MIN. Ni ALL-OVER.
- THE CENTER TWO WIRES LENGTH BEFORE ROLLING ARE SAME AS OTHERS



WIRING CHART

FROM	TO	COLOR	SIZE
Con.2-P1	Con.1	BLACK	8 AWG
Con.3-P1	- GND	BLACK	8 AWG
Con.4-P1	Con.1	BLACK	8 AWG
Con.2-P2	Con.1	RED	8 AWG
Con.3-P2	+ POWER	RED	8 AWG
Con.4-P2	Con.1	RED	8 AWG

		2314316-1	Halogen free
		TE P/N	NOTE
2	PC	T10 M3 TORX THREAD FORMING SCREW,STAINLESS STEEL	14
2	PC	WASHER	13
1	PC	LABEL ON THE ANTI-STATIC ZIPLOCK BAG	12
1	PC	CLEAR ANTI-STATIC ZIPLOCK BAG	11
6	PC	HARDWARE KIT FOR X,Y FLOATING SCREW,SHOULDER	10
3	PC	MBXLE RECEPT POWER CONTACT MFBL	9
1	PC	LABEL ON CONNECTOR HF	8
AR	MR	HEAT SHRINK TUBE HF	7
6	PC	MBXLE RECEPT POWER LOCK HF	6
3	PC	MBXLE RECEPT POWER CONTACT STD	5
3	PC	MBXLE RECEPT PMT CABLE HOUSING 1P/8S/1P HF	4
1	MR	CCJ CONNECTOR HF	3
AR	MR	WIRE,HF,8AWG,HIGH STRAND/HIGH FLEX,RED	2
AR	MR	WIRE,HF,8AWG,HIGH STRAND/HIGH FLEX,BLACK	1
-1	U/M	DESCRIPTION	ITEM

THIS DRAWING IS A CONTROLLED DOCUMENT. DWN: ADAM CHEN, 12DEC2016, CHK: DAVID ZHANG, 12DEC2016.

APPLICATOR: DAVID ZHANG, 12DEC2016, NAME: CABLE ASSY,CUBBY POWER HF Medusa

PRODUCT SPEC: 108-2157/152029

APPLICATION SPEC: 114-13112

WEIGHT: 0

SCALE: N.T.S. SHEET 1 OF 1 REV: A3