

THIS DRAWING IS UNPUBLISHED.

RELEASED FOR PUBLICATION

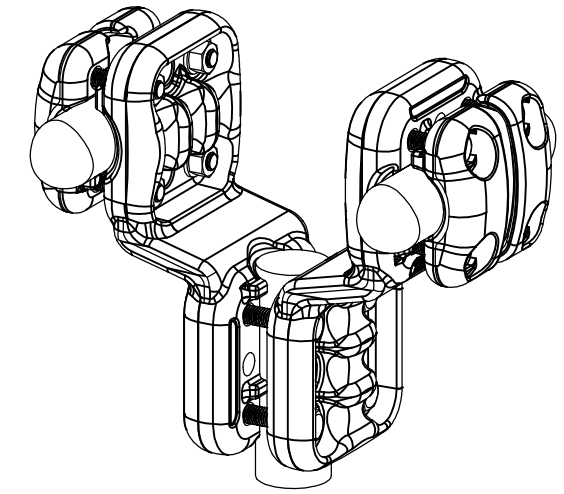
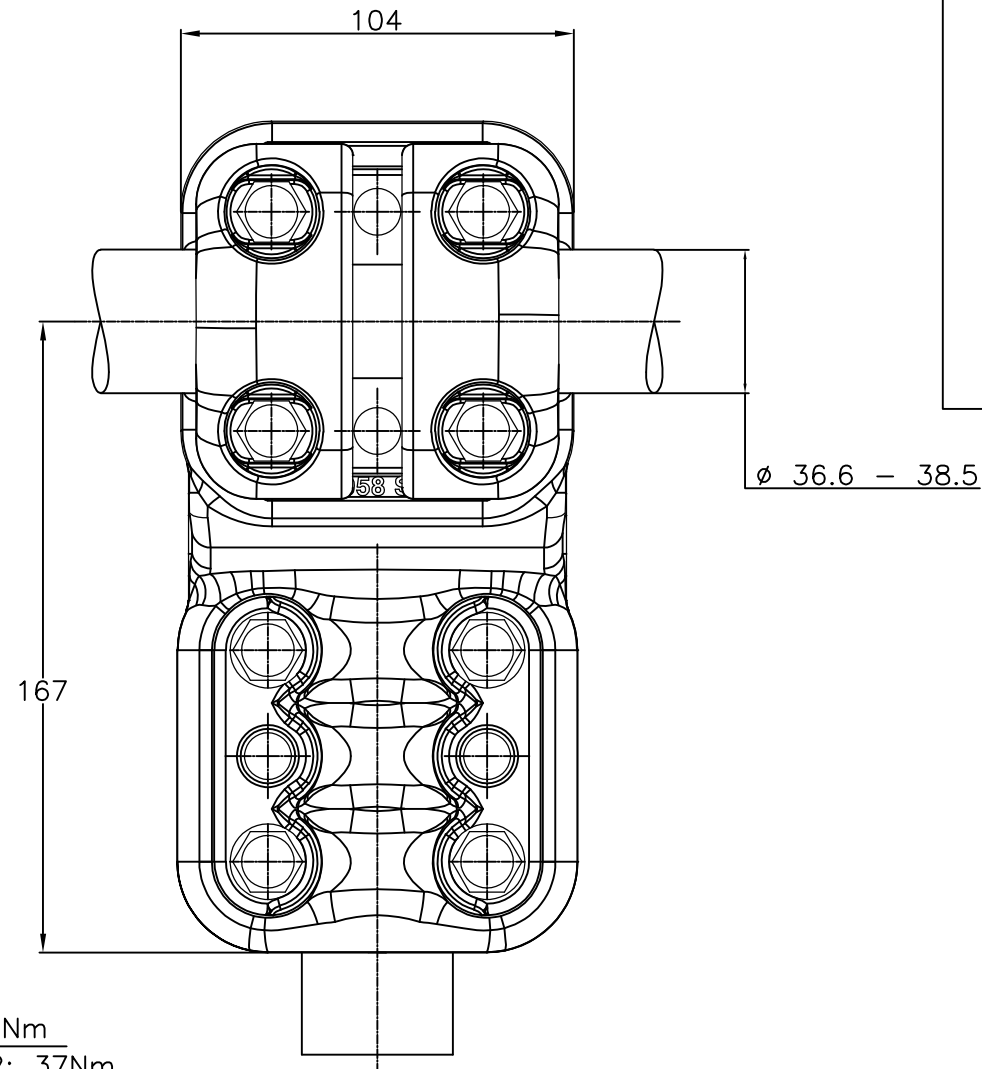
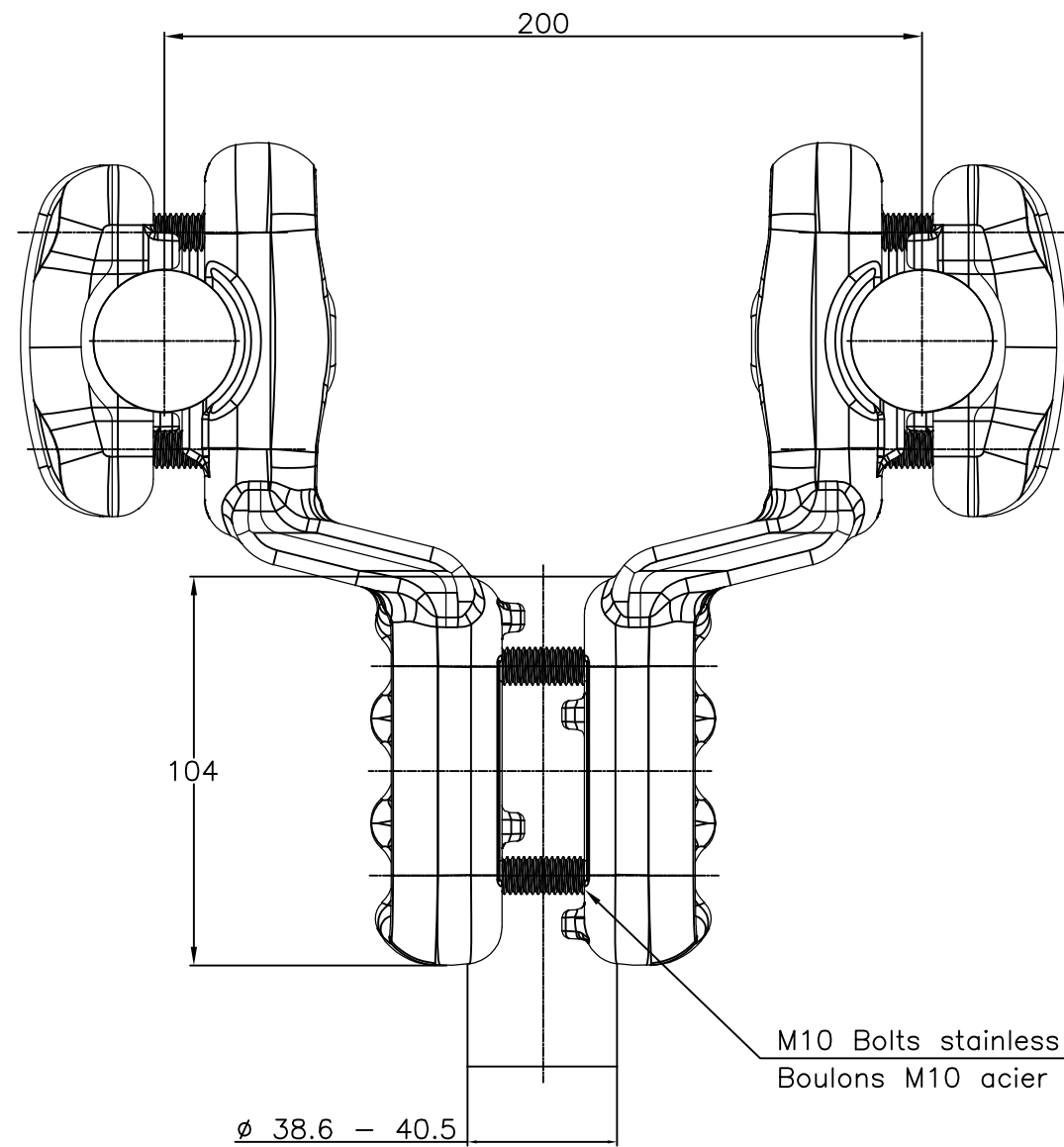
-. - .

REVISIONS

© COPYRIGHT - By -


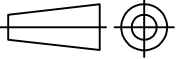
ALL RIGHTS RESERVED.

P	LTR	DESCRIPTION	DATE	DWN	APVD
	A	CREATION	09-Jan-17	PG	-



No scale - sans echelle

ITEM:.....

THIS DRAWING IS A CONTROLLED DOCUMENT.		DWN GARNIER P.	09-Jan-17	 <b>TE Connectivity</b>	
DIMENSIONS: mm		CHK	-		
TOLERANCES UNLESS OTHERWISE SPECIFIED:		APVD	-	NAME Tee connector twin to single Connecteur en T faisceau double / simple	
		PRODUCT SPEC	108-69096-001	5 CT 82 F M385 E200 M405	
MATERIAL		APPLICATION SPEC	-	SIZE	A3
FINISH		APPROX.WEIGHT	3.7 kg	CAGE CODE	00779
		CUSTOMER DRAWING		DRAWING NO	C=2314400
		SCALE	1/2	SHEET	1 OF 1
		RESTRICTED TO	-	REV	A