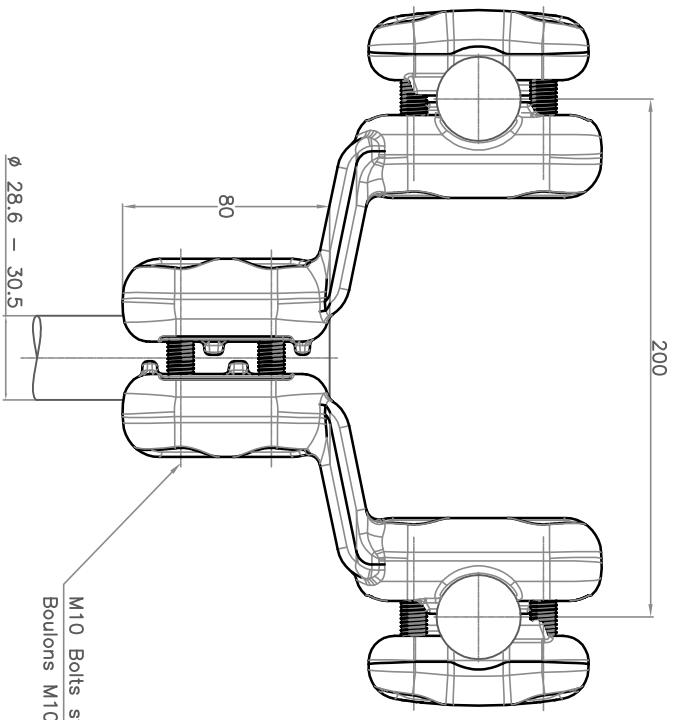
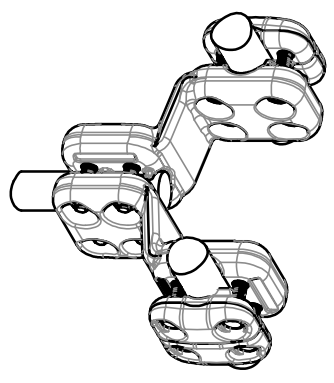
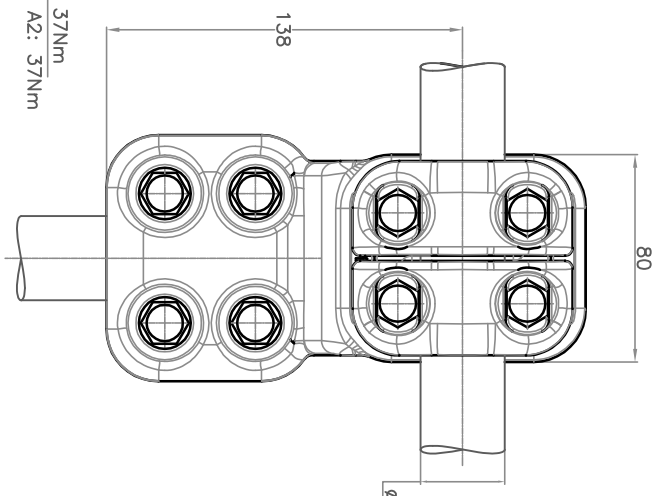


REVISIONS		DATE	DMN	APP'D
P	UTR			
A	CREATION	11-Jan-17	PG	-



M10 Bolts stainless steel A2: 37Nm  
 Boulons M10 acier inoxydable A2: 37Nm



No scale - sans echelle

THIS DRAWING IS A CONTROLLED DOCUMENT.

DMN	GARNIER P	11-Jan-17		
CHK				
APP'D				
PRODUCT SPEC	108-69096-001			
APPLICATION SPEC				
APPROX. WEIGHT	2.7 kg			
NAME	Tee connector twin to single Connecteur en T faisceau double / simple			
SIZE	5 CT	82 F	S325	E200 S305
PAGE CODE	A3	00779		
DRAWING NO				
RESTRICTED TO				



TE Connectivity

DIMENSIONS:	TOLERANCES UNLESS OTHERWISE SPECIFIED:
mm	0 P.L.C. ±
	1 P.L.C. ±
	2 P.L.C. ±
	3 P.L.C. ±
	4 P.L.C. ±
	ANGLES ±



ITEM: .....