

THIS DRAWING IS UNPUBLISHED.

RELEASED FOR PUBLICATION

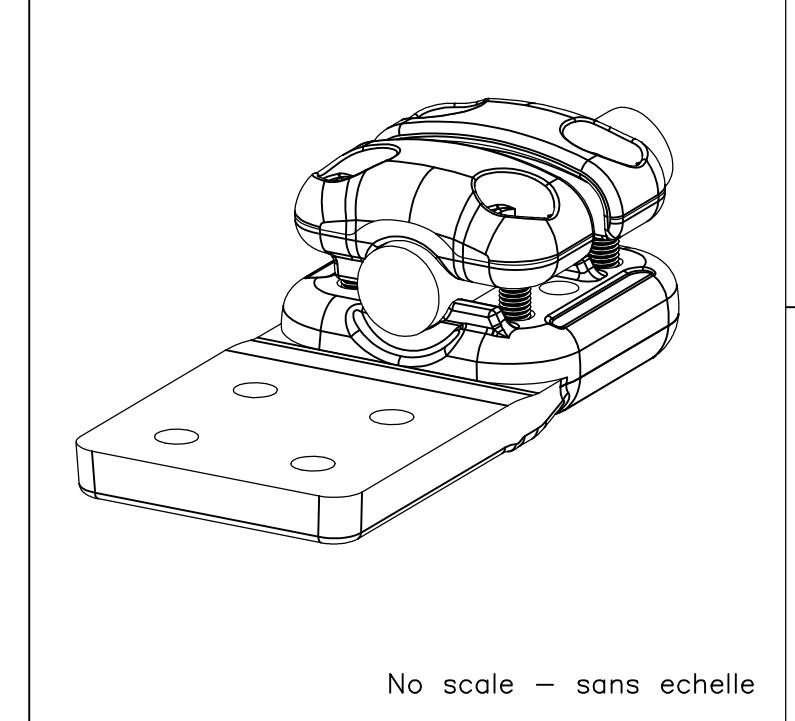
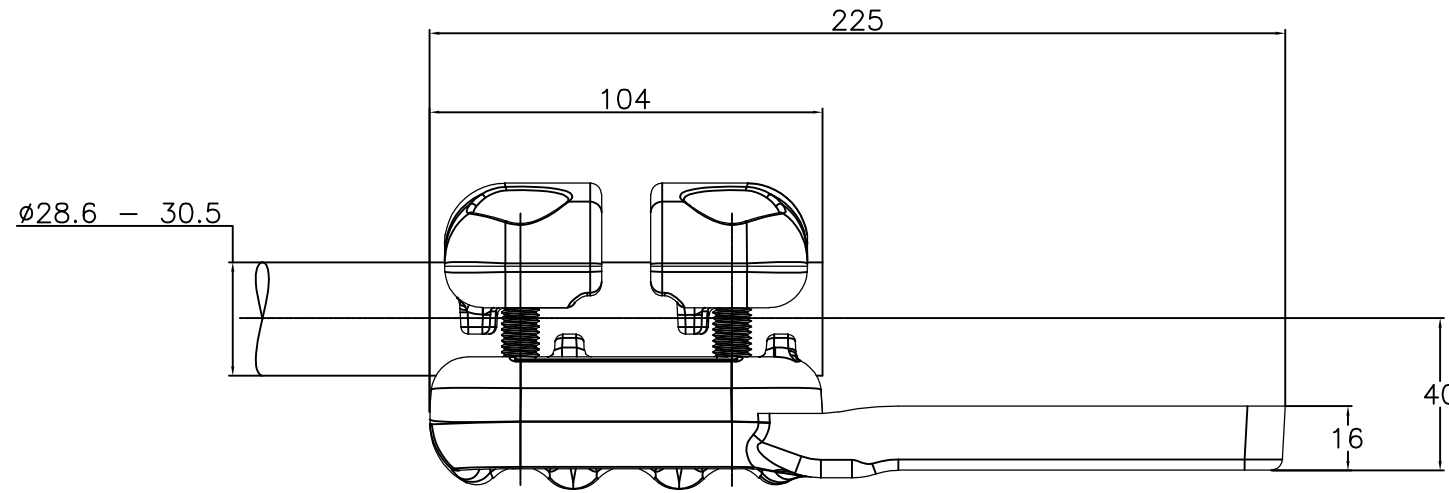
-. - .

© COPYRIGHT - By -

ALL RIGHTS RESERVED.

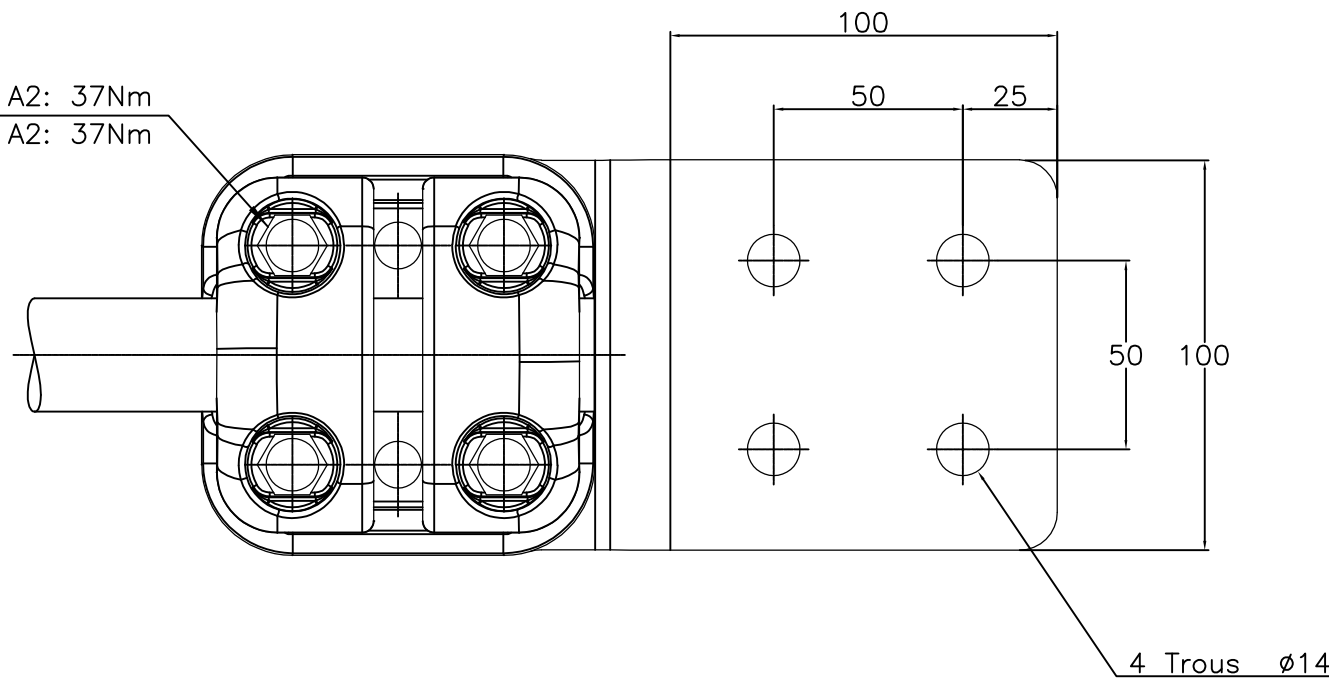
REVISIONS

P	LTR	DESCRIPTION	DATE	DWN	APVD
	A	CREATION	13-Fev-17	PG	-



No scale - sans echelle

M10 Bolts stainless steel A2: 37Nm  
Boulons M10 acier inoxydable A2: 37Nm



THIS DRAWING IS A CONTROLLED DOCUMENT.

DWN GARNIER P. 13-Fev-17

CHK -

APVD -

PRODUCT SPEC

108-69096-001

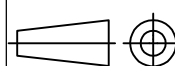
APPLICATION SPEC

-

APPROX.WEIGHT 1.5 kg

CUSTOMER DRAWING

DIMENSIONS:  
mm



TOLERANCES UNLESS OTHERWISE SPECIFIED:

0 PLC	± -
1 PLC	± -
2 PLC	± -
3 PLC	± -
4 PLC	± -
ANGLES	± -
FINISH	-

MATERIAL -

FINISH -



NAME  
Pad connector for cable  
Raccord a plaque pour cable  
5 PD 82 M305 100 C34

SIZE	CAGE CODE	DRAWING NO	RESTRICTED TO
A3	-	©=2314458	-

SCALE 1/2 SHEET 1 OF 1 REV A

ITEM:.....