

THIS DRAWING IS UNPUBLISHED.

RELEASED FOR PUBLICATION

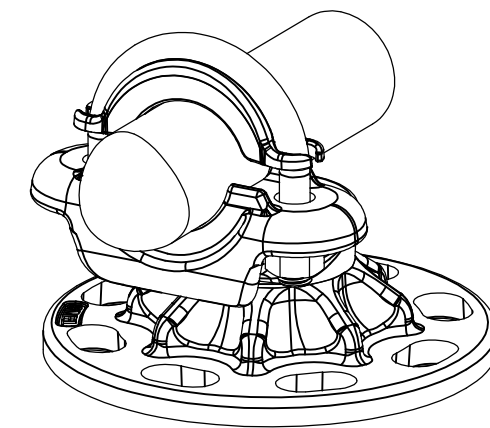
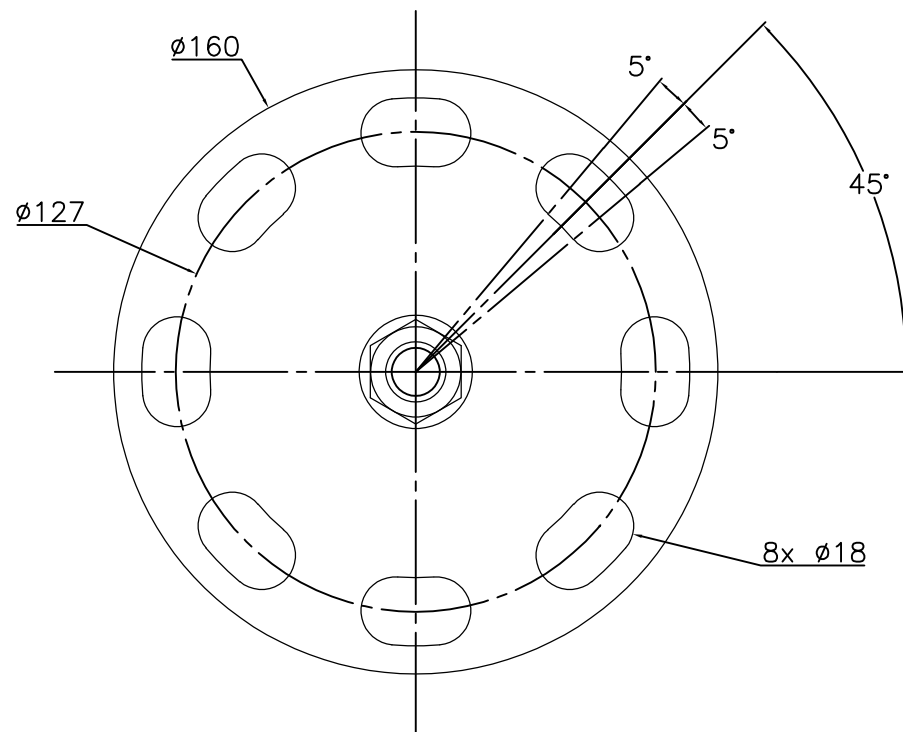
-. - .

REVISIONS

© COPYRIGHT - By -

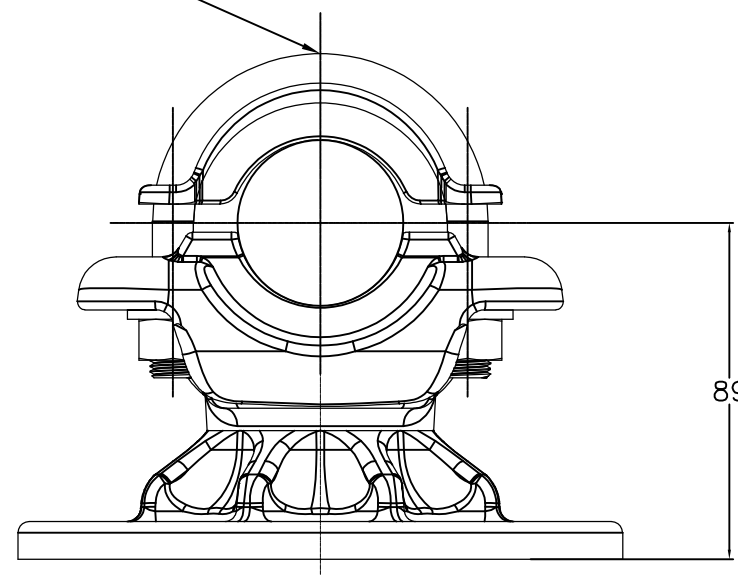
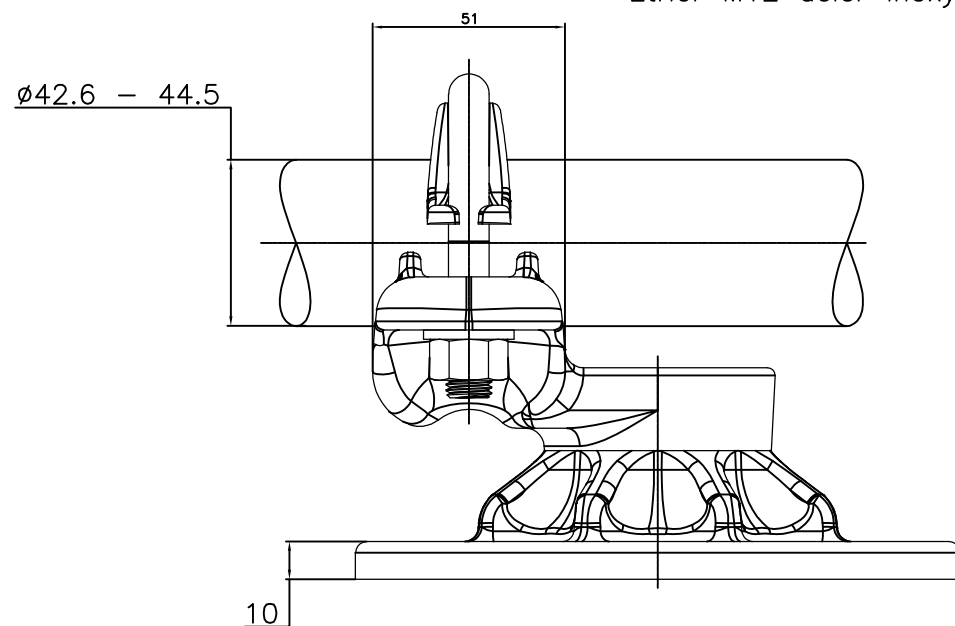
ALL RIGHTS RESERVED.

P	LTR	DESCRIPTION	DATE	DWN	APVD
	A	CREATION	20-Feb-17	TC	-


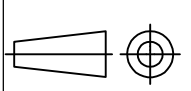


No scale - sans echelle

M12 U-Bolts stainless steel A4: 60Nm
 Etrier M12 acier inoxydable A4: 60Nm



ITEM:.....

THIS DRAWING IS A CONTROLLED DOCUMENT.		DWN CHARTON	20-Feb-17	 TE Connectivity	
DIMENSIONS: mm		CHK	-		
TOLERANCES UNLESS OTHERWISE SPECIFIED:		APVD	-	NAME	
		PRODUCT SPEC	108-69096-001	Single conductor support on BPI Support de câble sur ISO 5 CS 84 P5 L445	
MATERIAL		APPLICATION SPEC	-	SIZE	A3
FINISH		APPROX.WEIGHT	1.3 kg	CAGE CODE	-
		CUSTOMER DRAWING		DRAWING NO	©=2314471
		SCALE	1/2	SHEET	1 OF 1
		RESTRICTED TO	-	REV	A