

THIS DRAWING IS UNPUBLISHED.

RELEASED FOR PUBLICATION

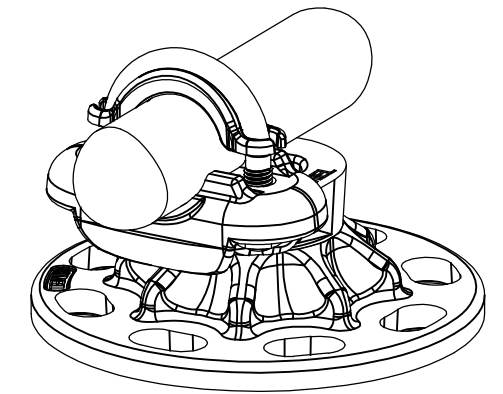
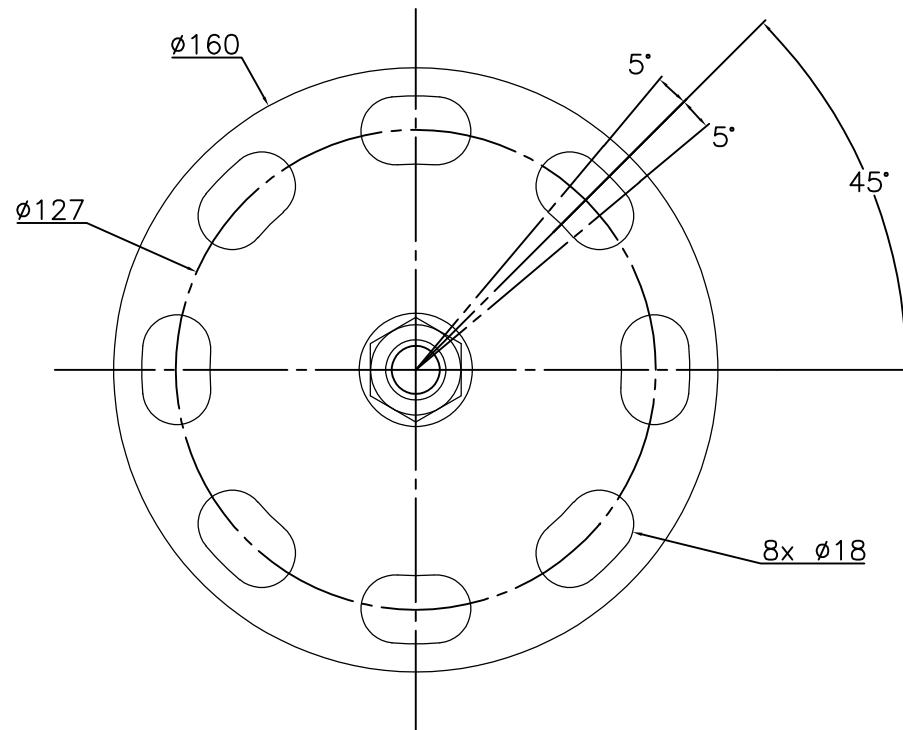
-. - .

© COPYRIGHT - By -

ALL RIGHTS RESERVED.

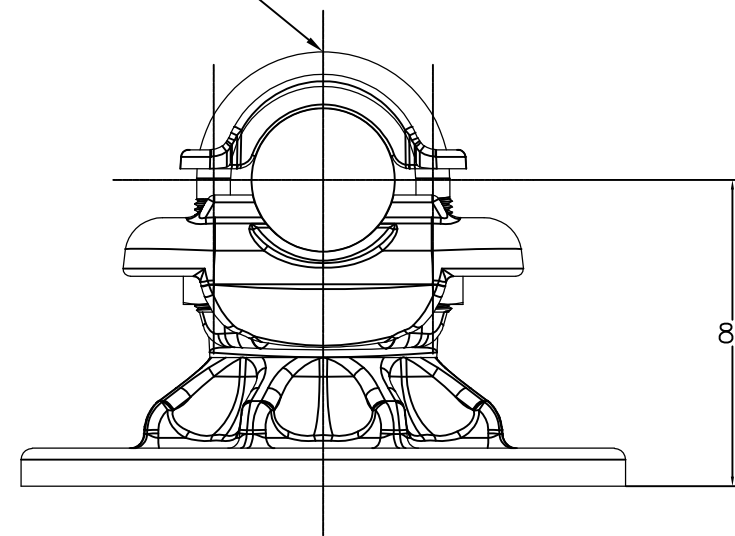
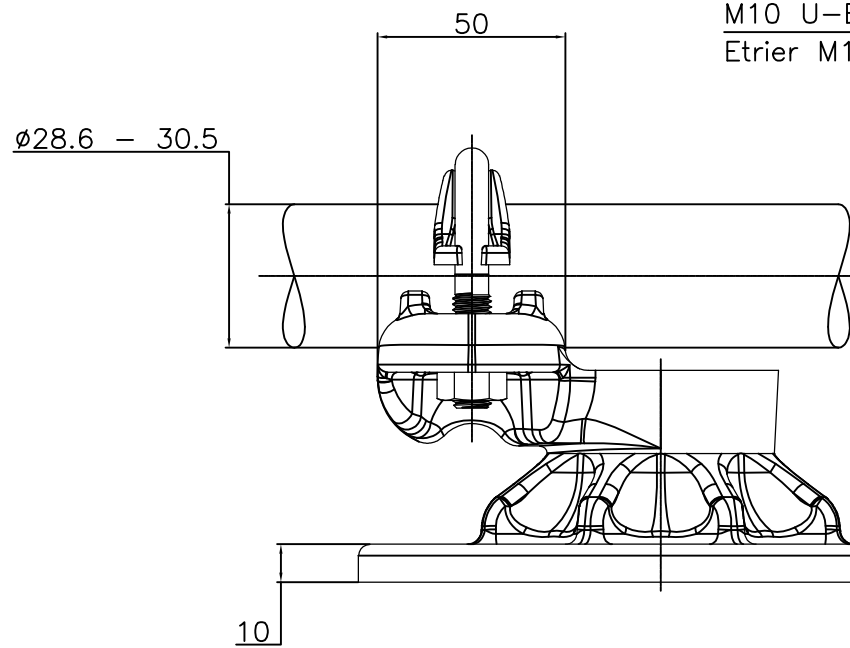
REVISIONS

P	LTR	DESCRIPTION	DATE	DWN	APVD
	A	CREATION	20-Fev-17	TC	-



No scale - sans echelle

M10 U-Bolts stainless steel A4: 37Nm
 Etrier M10 acier inoxydable A4: 37Nm



ITEM:.....

THIS DRAWING IS A CONTROLLED DOCUMENT.		DWN CHARTON	20-Fev-17	TE Connectivity	
DIMENSIONS: mm		CHK	-		
TOLERANCES UNLESS OTHERWISE SPECIFIED:		APVD	-	NAME	
		PRODUCT SPEC	108-69096-001	Single conductor support on BPI Support de câble sur ISO 5 CS 84 P5 M305	
MATERIAL		APPLICATION SPEC	-	SIZE	A3
FINISH		APPROX. WEIGHT	1.2 kg	CAGE CODE	-
		CUSTOMER DRAWING		DRAWING NO	©=2314472
		SCALE	1/2	RESTRICTED TO	-
		SHEET	1 OF 1	REV	A