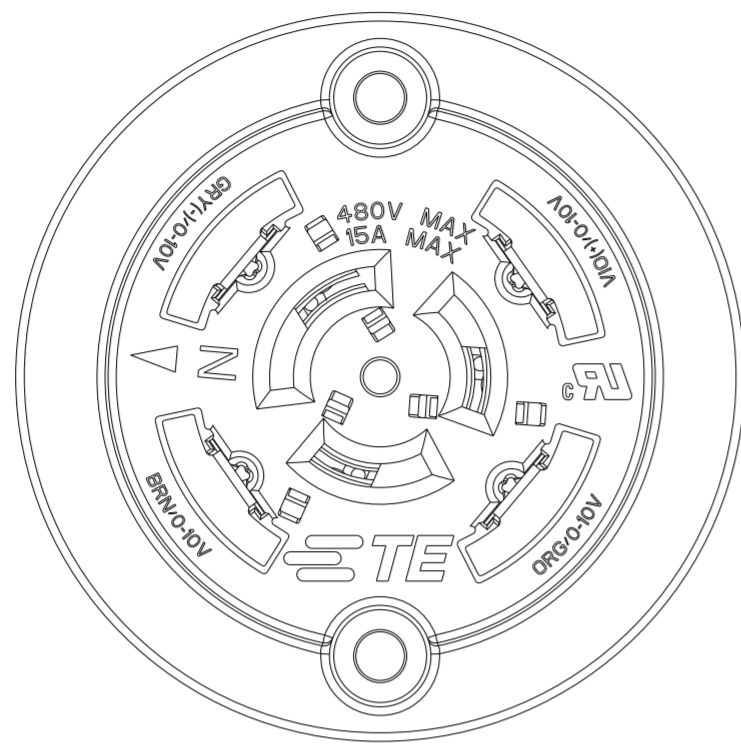
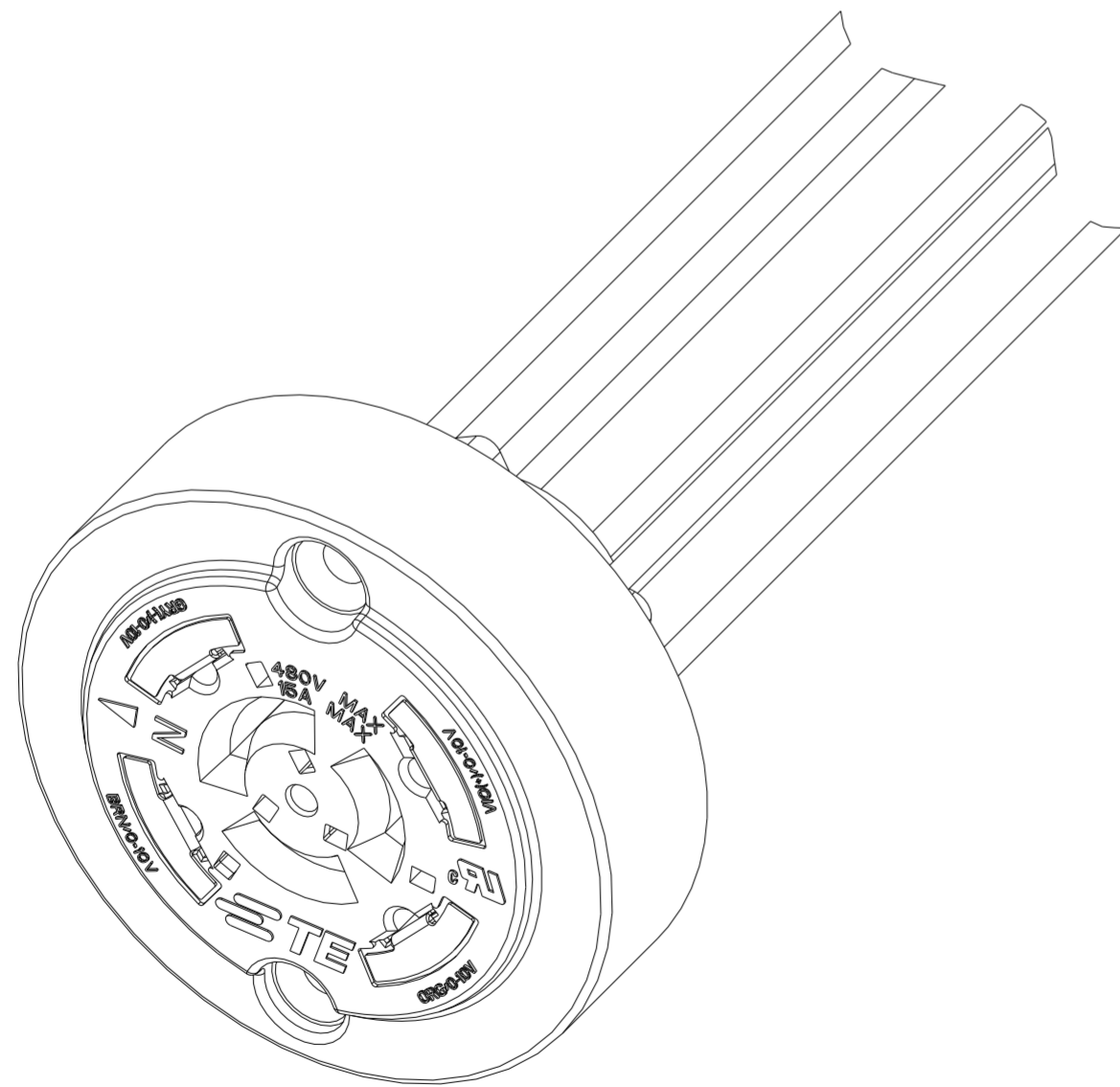


REVISIONS				
P	LTR	DESCRIPTION	DATE	APVD
A3		REVISED PER ECR-19-002901	25FEB2018	GCM DD
A4		REVISED PER ECR-19-011453	25JUL2019	SR DD
A5		REVISED PER ECR-19-014971	26SEP2019	SB DD
B		REVISED PER ECN-23-225643	09AUG2023	JPS MM



SEE SHEET 2 FOR WIRING COLOR CODE



NOTES:

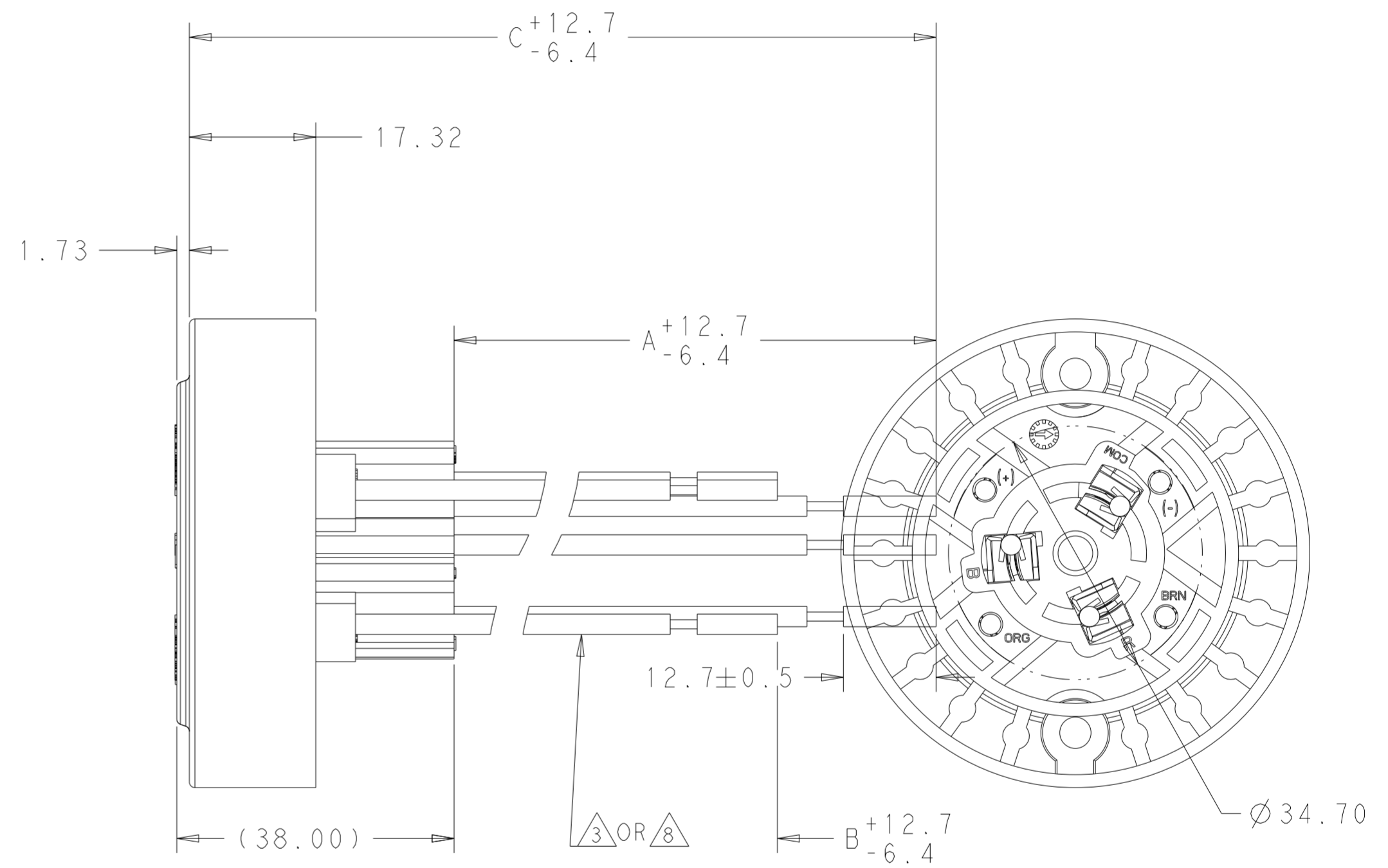
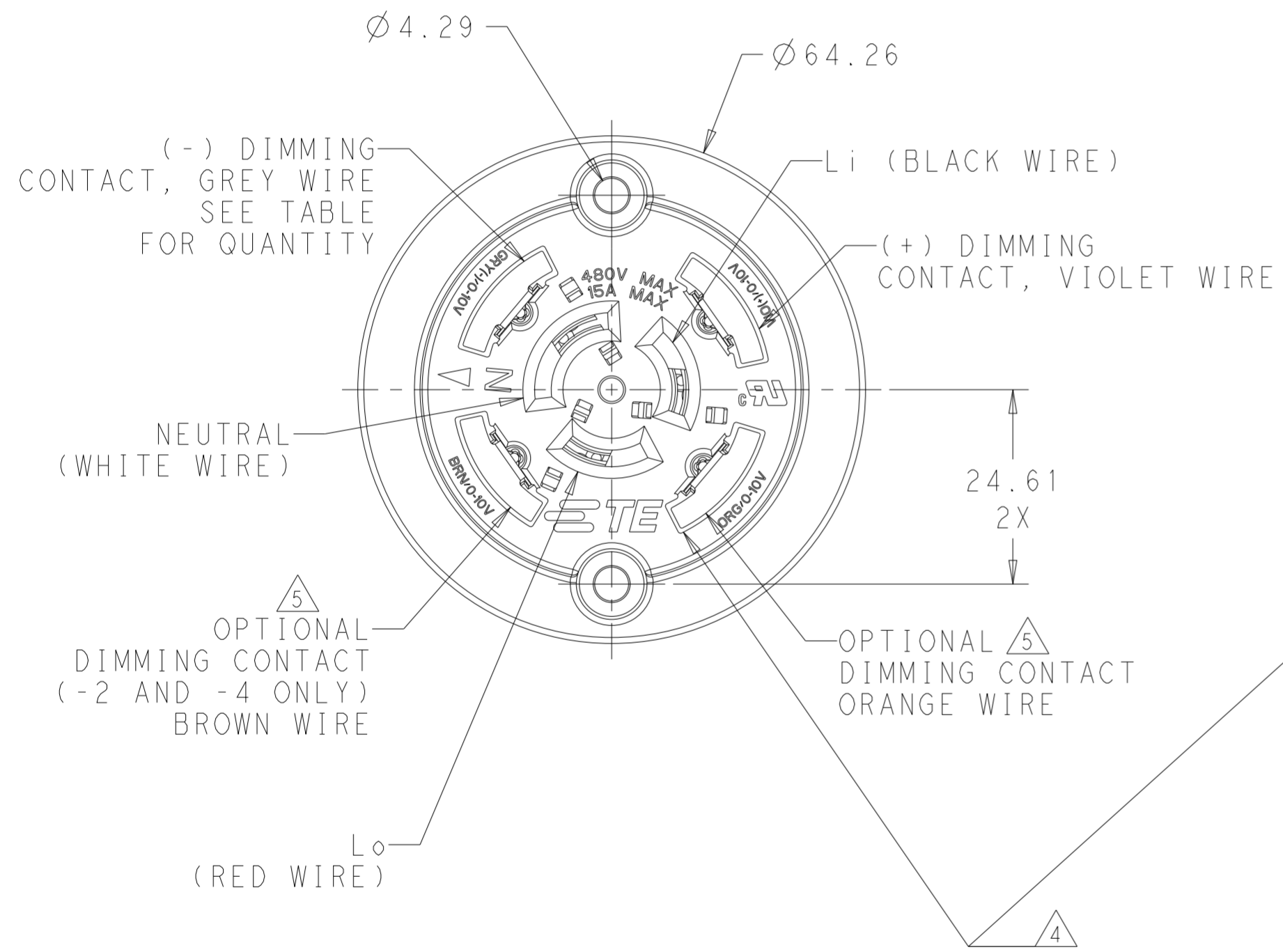
1. MATERIALS:
HOUSING: GLASS-FILLED THERMOPLASTIC, UL 94V-0 RATED DIMMING CONTACTS (2 OR 4) AND LINE VOLTAGE CONTACTS (3): COPPER ALLOY
2. FINISH:
DIMMING CONTACTS (2 OR 4): NICKEL UNDERPLATE ENTIRE CONTACT 0.127 μm MIN THICK. GOLD PLATE CONTACT PAD AREA (MATING FACE SIDE ONLY) 0.76 μm MIN THICK. MATTE TIN PLATE TAB ON BOTH SIDES 0.30 μm MIN THICK. LINE VOLTAGE CONTACTS (3): TIN PLATE.
3. LINE VOLTAGE CONDUCTORS (3): DOUBLE-INSULATED 14 AWG, 600V, 150°C RATED, COPPER 41/30 STRANDED PER UL STYLE AWM 1446.
4. MATING INTERFACE PER ANSI C136.41-2013.
5. OPTIONAL DIMMING CONTACTS (2) SUPPLIED.
6. DIMMING CONDUCTORS (2 OR 4): 18 AWG, 600V, 150°C RATED, 16/30 STRANDED, PER UL STYLE AWM 3321.
7. LINE VOLTAGE CONDUCTORS (3): DOUBLE-INSULATED 14 AWG, 600V, 105°C RATED, COPPER 41/30 STRANDED. PER UL STYLE AWM 1617.
8. DIMMING CONDUCTORS (2 OR 4): 18 AWG, 600V, 105°C RATED, COPPER 16/30 STRANDED. PER UL STYLE AWM 1015.
9. (ECN-23-225643-REMOVED)
10. MUST BE USED WITH EITHER GASKET P/N 2213469-1 OR P/N 2324246-1 (SOLD SEPARATELY).

OVERALL LENGTH	WIRE LENGTH	WIRE STYLE	QUANTITY OF DIMMING CONTACTS	PART NO.
266.3	230.0	7 AND 8	4 5	2-2314670-4
536.3	500.0	7 AND 8	4 5	1-2314670-4
341.1	304.8	7 AND 8	4 5	2314670-4
341.1	304.8	7 AND 8	2	2314670-3
341.1	304.8	3 AND 6	4 5	2314670-2
341.1	304.8	3 AND 6	2	2314670-1

THIS DRAWING IS A CONTROLLED DOCUMENT.		DWN RAVI.S 22DEC2016	TE Connectivity	
DIMENSIONS: mm		CHK OIT PETER 22DEC2016		
TOLERANCES UNLESS OTHERWISE SPECIFIED:		APVD OIT PETER 02MAY2016	NAME RECEPTACLE ASSEMBLY, DIMMABLE PHOTOCONTROL POWER LEADS DOUBLE INSULATED, SIGNAL LEADS SINGLE INSULATION	
0 PLC ±		PRODUCT SPEC 108-32059	SIZE CAGE CODE DRAWING NO RESTRICTED TO	
1 PLC ±		APPLICATION SPEC 114-32115	A2 00779 C-2314670	
2 PLC ±0.13		WEIGHT -	SCALE 1:2 SHEET 1 OF 2 REV B	
3 PLC ±		CUSTOMER DRAWING		
4 PLC ±				
ANGLES ±				
FINISH				
MATERIAL SEE NOTE 1				
SEE NOTE 2				

THIS DRAWING IS UNPUBLISHED. RELEASED FOR PUBLICATION 20
 © COPYRIGHT 20 BY - ALL RIGHTS RESERVED.

REVISIONS				
P	LTR	DESCRIPTION	DATE	APVD
-	-	SEE SHEET 1	-	-



THIS DRAWING IS A CONTROLLED DOCUMENT.		DWN RAVLS 22DEC2016	TE Connectivity	
DIMENSIONS: mm		CHK OIT PETER 22DEC2016		
TOLERANCES UNLESS OTHERWISE SPECIFIED:		APVD OIT PETER 02MAY2016	NAME RECEPTACLE ASSEMBLY, DIMMABLE PHOTOCONTROL POWER LEADS DOUBLE INSULATED, SIGNAL LEADS SINGLE INSULATION	
0 PLC ±	1 PLC ±	PRODUCT SPEC 108-32059	SIZE A2	CAGE CODE 00779
2 PLC ±0.13	3 PLC ±	APPLICATION SPEC 114-32115	DRAWING NO C-2314670	RESTRICTED TO -
4 PLC ±	ANGLES ±	WEIGHT -	SCALE 1:2 SHEET 2 OF 2 REV B	
MATERIAL SEE NOTE 1	FINISH SEE NOTE 2	CUSTOMER DRAWING		