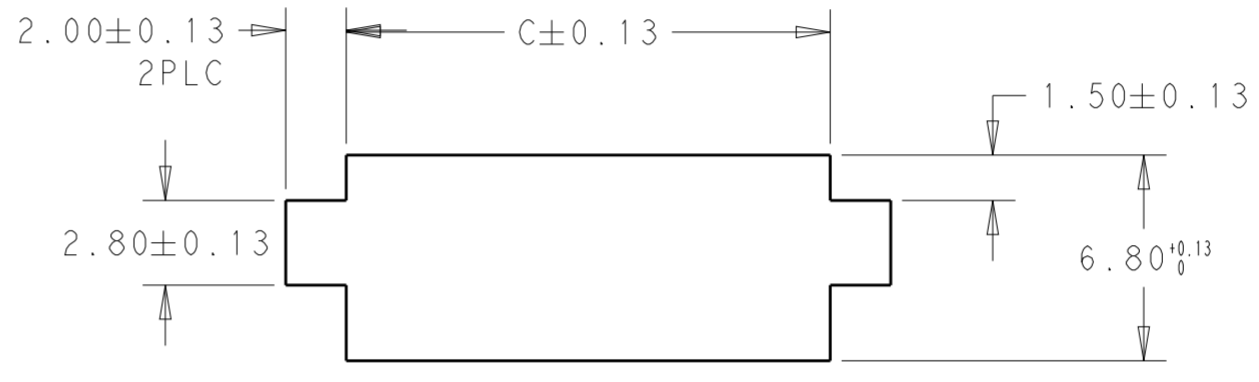
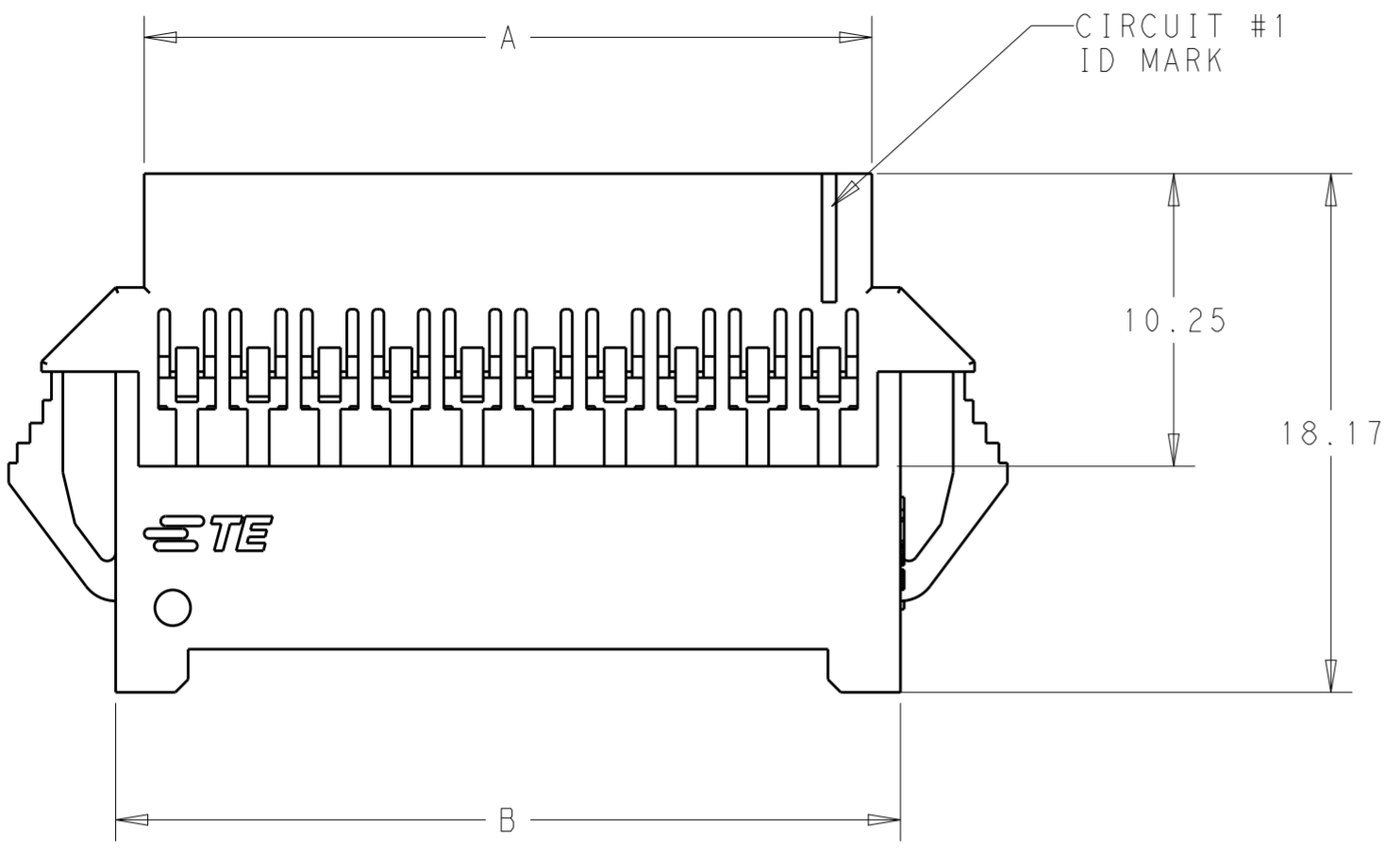
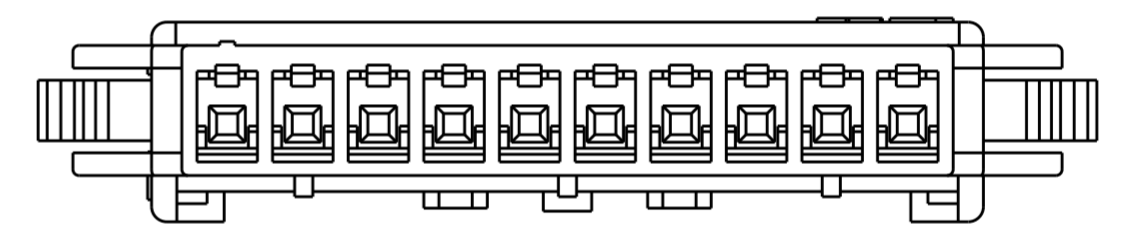
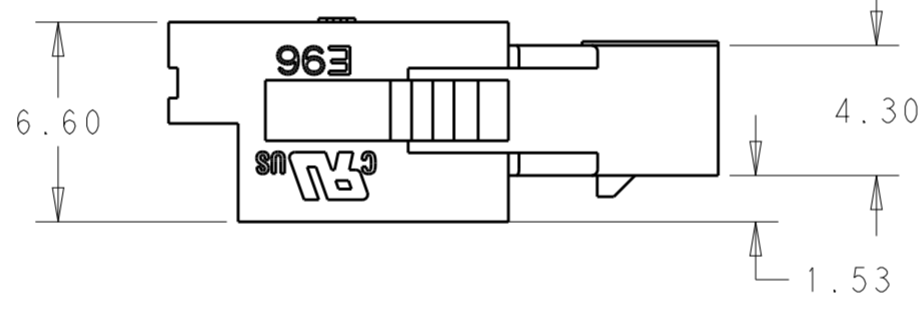
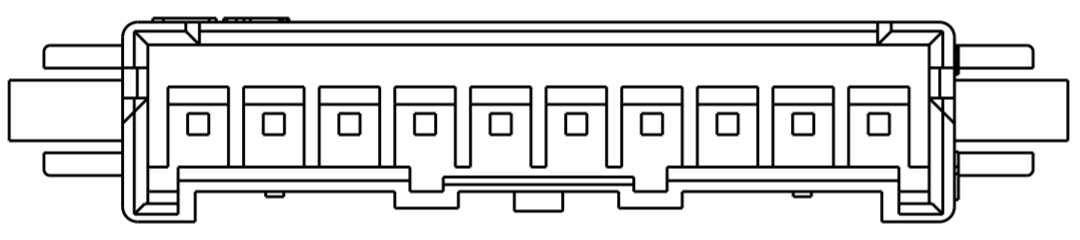


THIS DRAWING IS UNPUBLISHED. RELEASED FOR PUBLICATION 20  
 © COPYRIGHT 20 BY - ALL RIGHTS RESERVED.

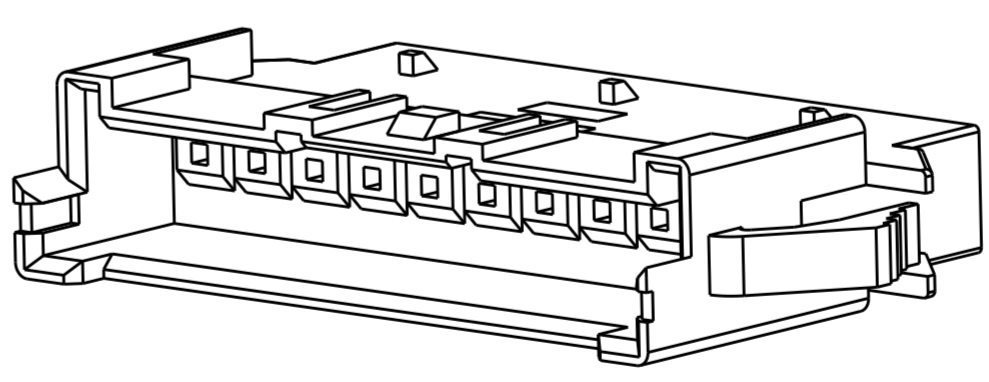
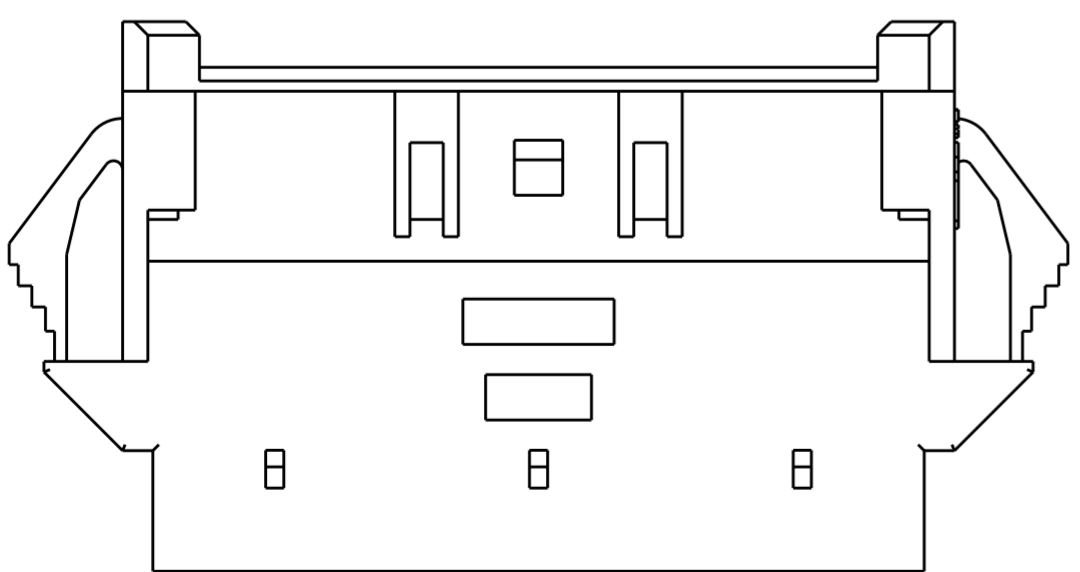
LOC		DIST		REVISIONS			
P	LTR	DESCRIPTION		DATE	DWN	APVD	
	A	FIRST RELEASED		22JAN2017	O.C	D.Z	



1. MATERIAL: NYLON UL94 - V0  
COLOR: WHITE
2. ACCEPTS TE PIN CONTACTS  
P/N'S 2238007-( )
3. HOUSING ACCEPTS OPTIONAL TPA  
P/N'S 1969443-( )
4. MATES WITH TE PLUG HOUSINGS  
P/N'S 1969442-( )



6 TO 15 POSITION  
 1744501-6 TO 1-1744501-5



POS	DIM.C	DIM.B	DIM.A	PART NO.
15	41.00	40.00	38.00	1-2314712-5
14	38.50	37.50	35.50	1-2314712-4
13	34.00	35.00	33.00	1-2314712-3
12	33.50	32.50	30.50	1-2314712-2
11	31.00	30.00	28.00	1-2314712-1
10	28.50	27.50	25.50	1-2314712-0
9	26.00	25.00	23.00	2314712-9
8	23.50	22.50	20.50	2314712-8
7	21.00	20.00	18.00	2314712-7
6	18.50	17.50	15.50	2314712-6
5	16.00	15.00	13.00	2314712-5
4	13.50	12.50	10.50	2314712-4
3	11.00	10.00	8.00	2314712-3
2	8.50	7.50	5.50	2314712-2

THIS DRAWING IS A CONTROLLED DOCUMENT.

DWN: OTIO CHEN 22JAN2017  
 CHK: DANIEL 23JAN2017  
 APVD: DANIEL 23JAN2017

**STE** TE Connectivity

NAME: ECONOMY POWER 2.5, HOUSING WIRE TO WIRE, WITH PANEL MOUNTS

SIZE: A2 CAGE CODE: 00779 DRAWING NO: C-2314712 RESTRICTED TO: -

DIMENSIONS: mm TOLERANCES UNLESS OTHERWISE SPECIFIED:  
 0 PLC ±  
 1 PLC ±  
 2 PLC ±0.20  
 3 PLC ±  
 4 PLC ±  
 ANGLES ±  
 FINISH ±

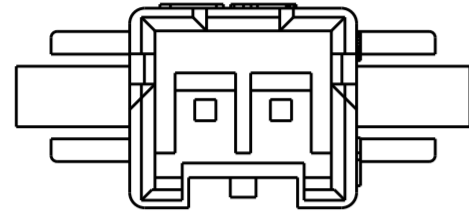
MATERIAL: SEE TABLE PRODUCT SPEC: 108-2418 APPLICATION SPEC: 114-13315 WEIGHT: -

Customer Drawing SCALE: 4:1 SHEET 1 OF 2 REV A

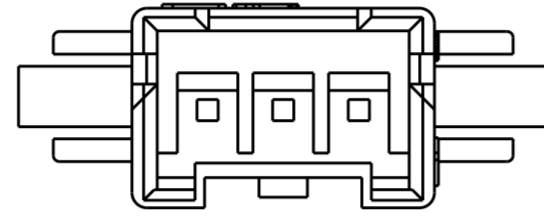
THIS DRAWING IS UNPUBLISHED. RELEASED FOR PUBLICATION 20  
 © COPYRIGHT 20 BY - ALL RIGHTS RESERVED.

LOC		DIST		REVISIONS			
P	LTR	DESCRIPTION	DATE	DWN	APVD		
-		SEE SHEET 1	-	-	-		

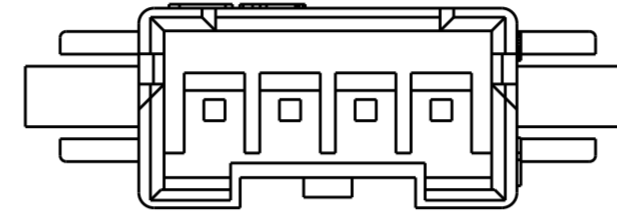
2 POSITION  
2314712-2



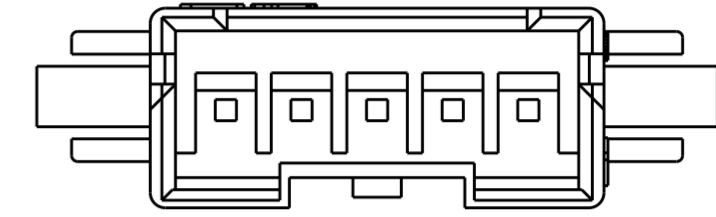
3 POSITION  
2314712-3



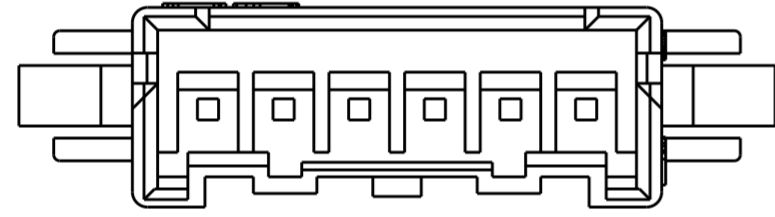
4 POSITION  
2314712-4




5 POSITION  
2314712-5



6-15 POSITION  
2314712-6 TO 1-2314712-5



THIS DRAWING IS A CONTROLLED DOCUMENT.		DWN QITO CHEN 22 JAN 2017	 TE Connectivity	
DIMENSIONS: mm		CHK DANIEL 23 JAN 2017		
TOLERANCES UNLESS OTHERWISE SPECIFIED:		APVD DANIEL 23 JAN 2017	NAME ECONOMY POWER 2.5, HOUSING WIRE TO WIRE, WITH PANEL MOUNTS	
0 PLC ±- 1 PLC ±- 2 PLC ±0.20 3 PLC ±- 4 PLC ±- ANGLES ±- FINISH		PRODUCT SPEC 108-2418	SIZE A200779	CAGE CODE C-2314712
MATERIAL SEE TABLE	FINISH SEE TABLE	APPLICATION SPEC 114-13315	DRAWING NO C-2314712	RESTRICTED TO -
		WEIGHT -	SCALE 4:1 SHEET 2 OF 2 REV A	
		Customer Drawing		