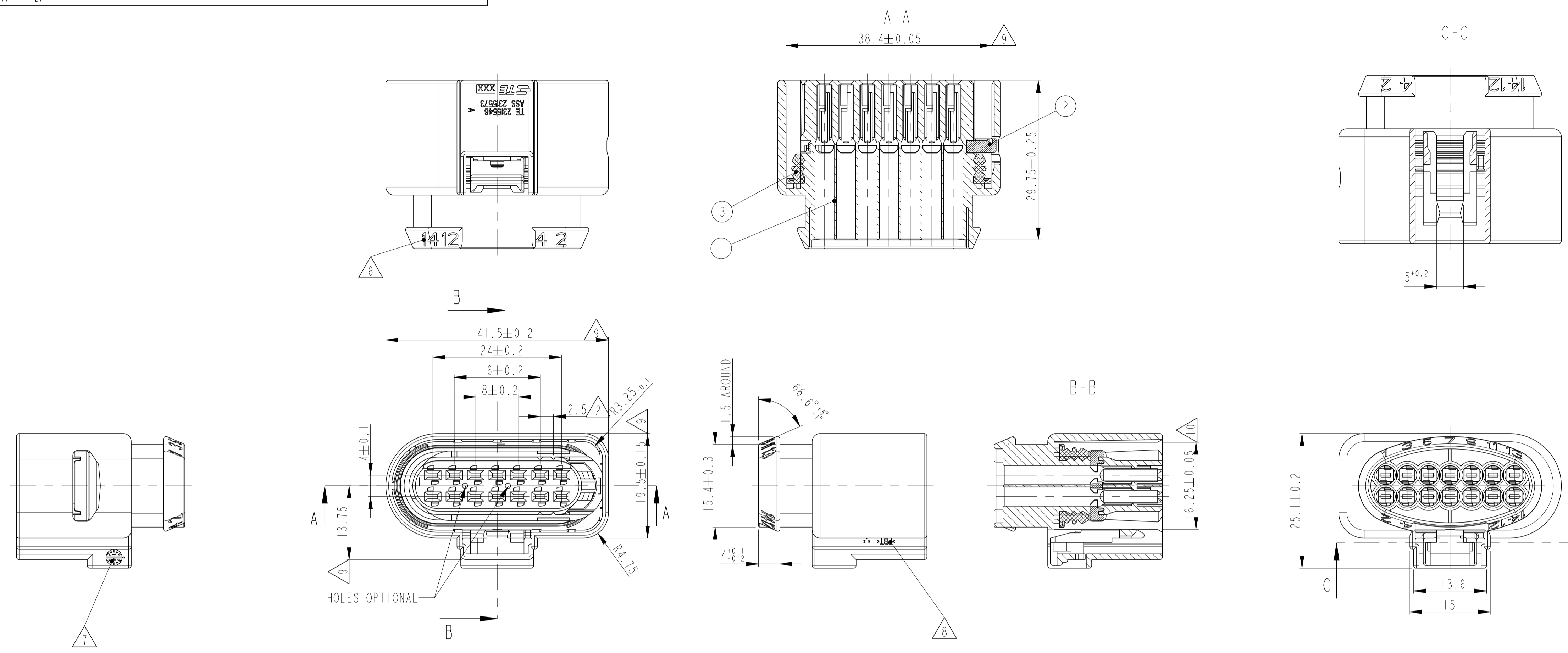
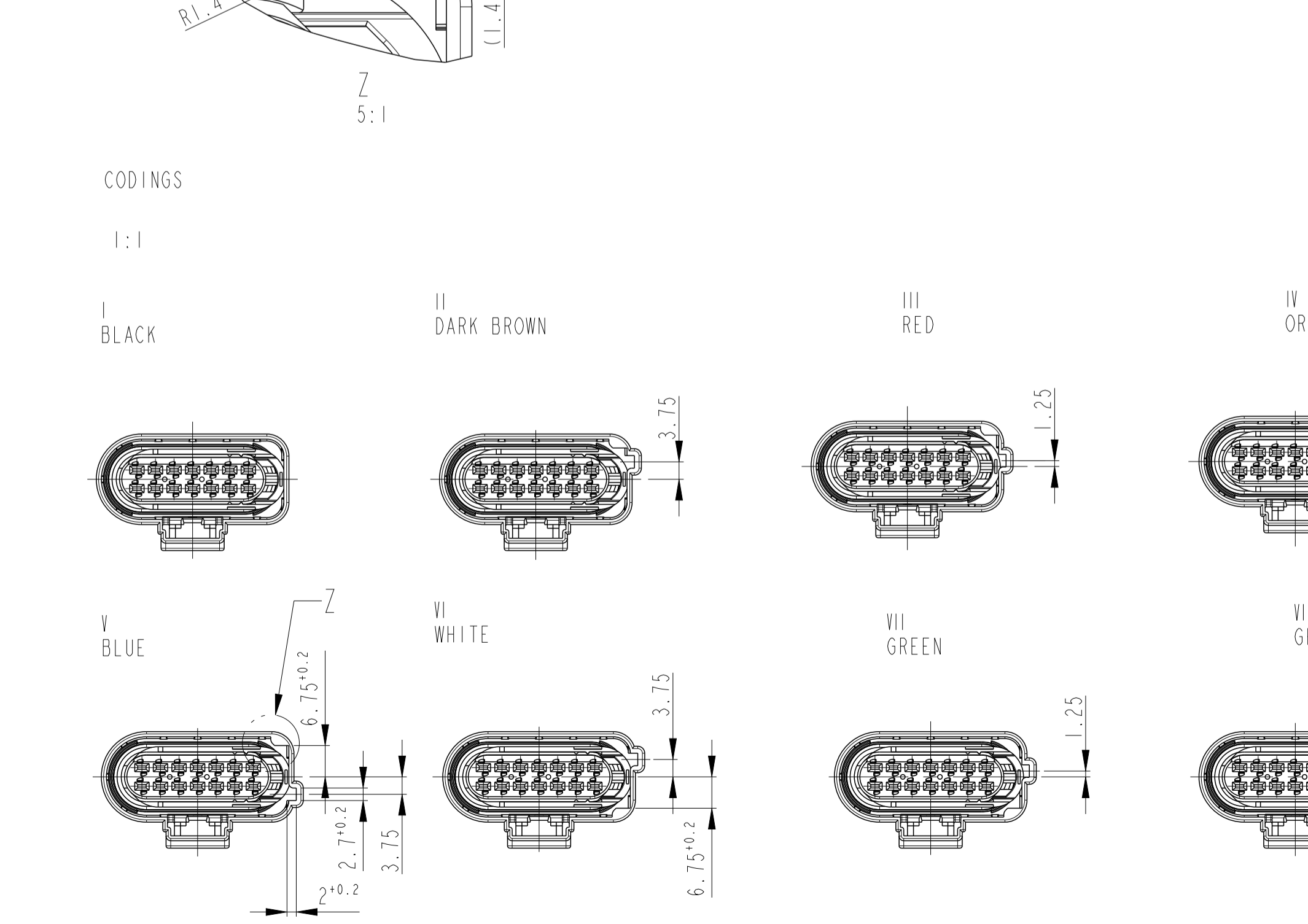
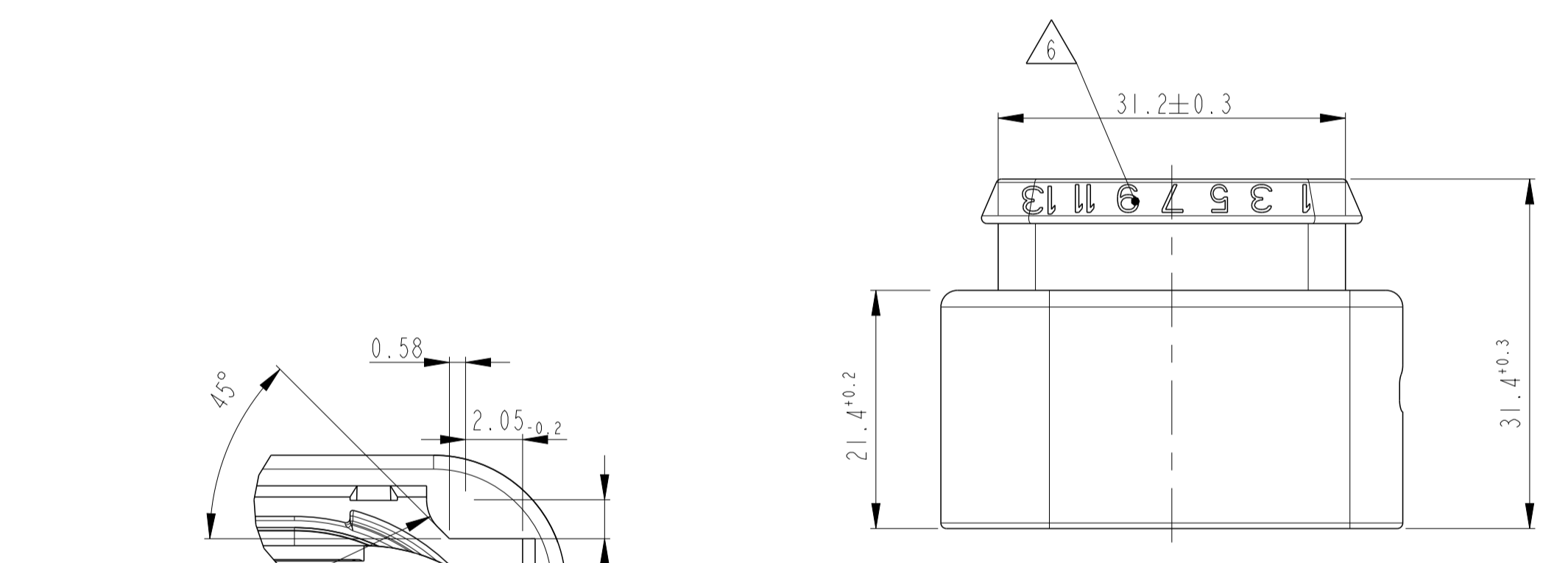


REVISIONS					
P	LTN	DESCRIPTION	DATE	DMN	APVD
A1	ECR-22-160018		01DEC 22	S.X	J.Z
A2	ECR-22-161786		20DEC 22	S.X	J.Z
A3	ECR-23-172018		13APR 23	S.X	J.Z
A4	ECR-24-211432		20JUN2024	SDT	J.Z

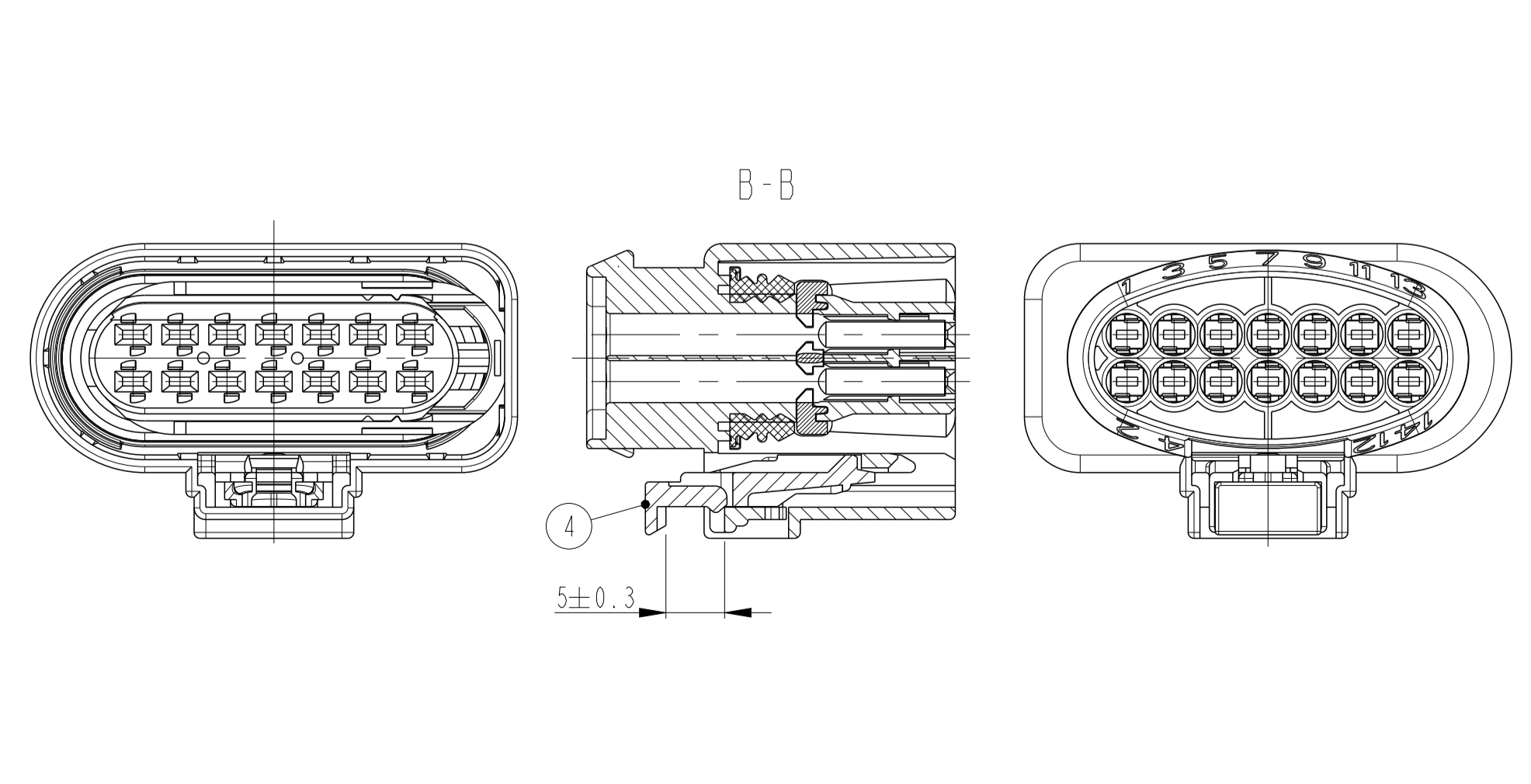
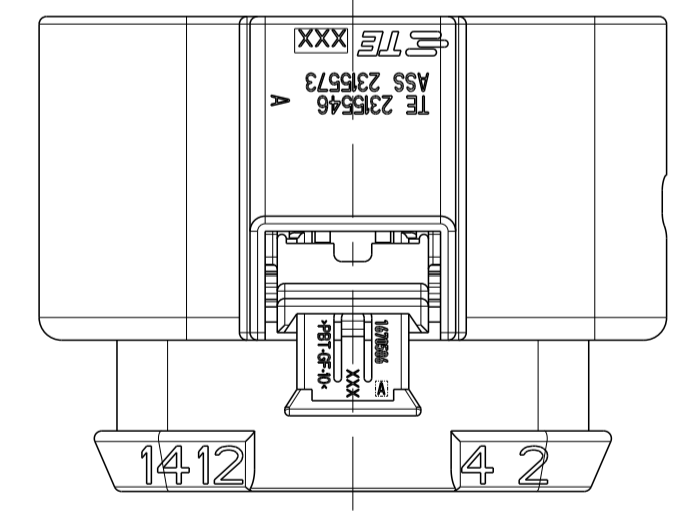
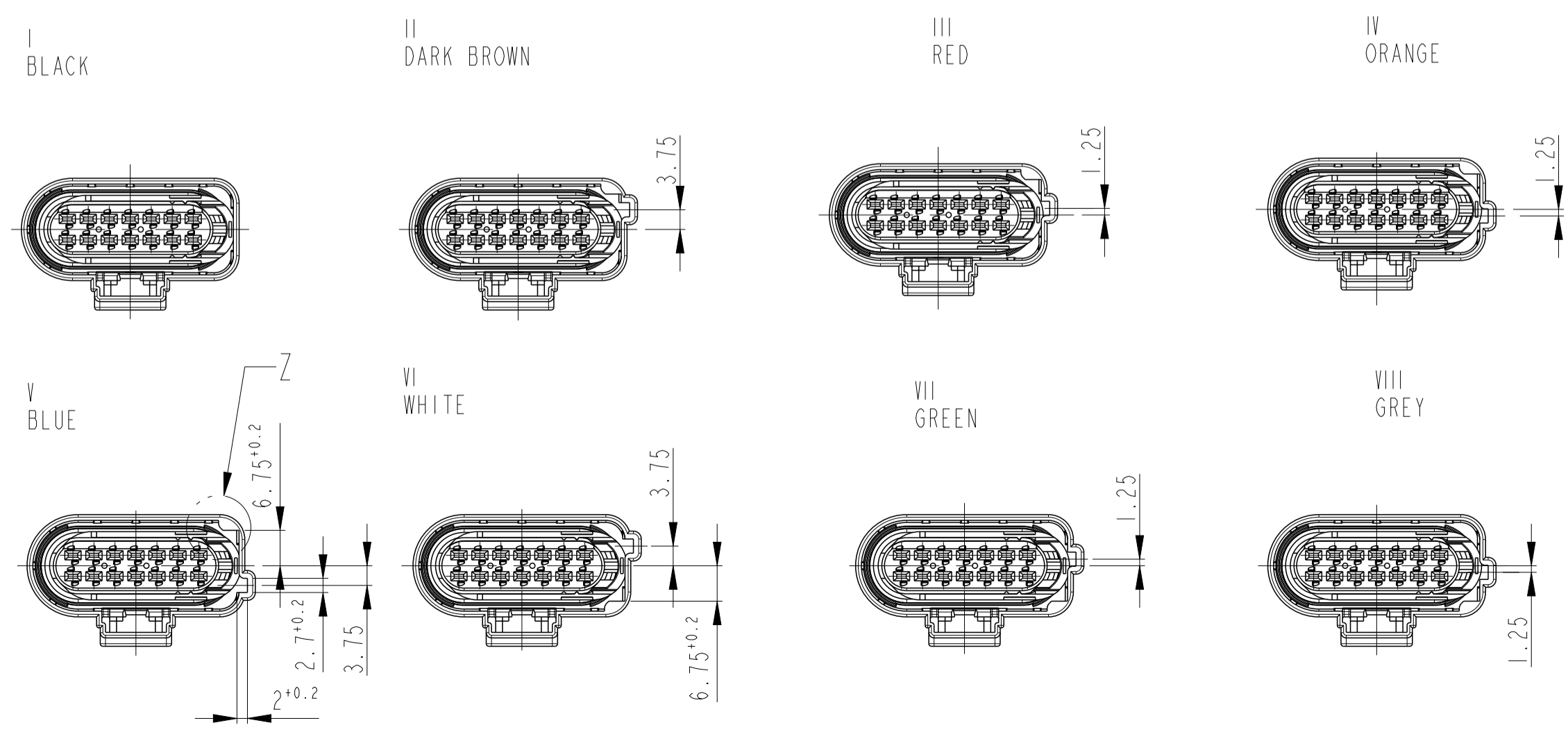


- NOTES A4
- 1 THE PART 2315573-1 ASSEMBLED F.E. WITH CONTACT 1241380-1, AND WIRE SEALING 964972-1 WILL HAVE THE SUITABLE MATING PART 1-966846-1
 - 2 CONDITION AS SUPPLIED: RETAINER IN PRE-LOCKED POSITION, AFTER CONTACT LOADING TO DRIFT IN THIS DIRECTION (2.5mm)
 - 3 BULK PACKAGED
 - 4 WITHOUT CPA (CONNECTOR POSITION ASSURANCE)
 - 5 WITH CPA
 - 6 CONTACT CAVITY NUMBER
 - 7 PRODUCTION-DATE
 - 8 MATERIAL MARKING ACC. TO VDA 260
 - 9 ALLOWED WARPAGE ±0.5



CODINGS

1:1



COD	TE-NO	REV	MATERIAL	COLOR	RAL-NO	DESCRIPTION	ITEM NO
VIII	6-2315573-8	A	PBT-GF10	RED	3003	CPA	4
			MVO	NATURAL	-	RADIAL SEAL	3
			PBT-GF10	VIOLET	4006	RETAINER	2
VII	6-2315573-7	A	PBT	GREY	7036	14POSITION, AMP MCPI.5K, ...	1
			PBT-GF10	RED	3003	CPA	4
			MVO	NATURAL	-	RADIAL SEAL	3
VI	6-2315573-6	A	PBT-GF10	VIOLET	4006	RETAINER	2
			PBT	WHITE	9010	14POSITION, AMP MCPI.5K, ...	1
			MVO	NATURAL	-	RADIAL SEAL	3
V	6-2315573-5	A	PBT-GF10	RED	3003	CPA	4
			PBT	BLUE	5012	14POSITION, AMP MCPI.5K, ...	1
			PBT-GF10	VIOLET	4006	RETAINER	2
IV	6-2315573-4	A	MVO	NATURAL	-	RADIAL SEAL	3
			PBT-GF10	VIOLET	4006	RETAINER	2
			PBT	ORANGE	2003	14POSITION, AMP MCPI.5K, ...	1
III	6-2315573-3	A	PBT-GF10	RED	3003	CPA	4
			MVO	NATURAL	-	RADIAL SEAL	3
			PBT	RED	3003	14POSITION, AMP MCPI.5K, ...	1
II	6-2315573-2	A	MVO	NATURAL	-	RADIAL SEAL	3
			PBT-GF10	VIOLET	4006	RETAINER	2
			PBT	DARK BROWN	8012	14POSITION, AMP MCPI.5K, ...	1
I	6-2315573-1	A	MVO	NATURAL	-	RADIAL SEAL	3
			PBT-GF10	VIOLET	4006	RETAINER	2
			PBT	BLACK	9011	14POSITION, AMP MCPI.5K, ...	1
VIII	2315573-8	A	PBT-GF10	VIOLET	4006	RETAINER	2
			PBT	GREY	7036	14POSITION, AMP MCPI.5K, ...	1
			MVO	NATURAL	-	RADIAL SEAL	3
VII	2315573-7	A	PBT-GF10	VIOLET	4006	RETAINER	2
			PBT	GREEN	6018	14POSITION, AMP MCPI.5K, ...	1
			MVO	NATURAL	-	RADIAL SEAL	3
VI	2315573-6	A	PBT-GF10	VIOLET	4006	RETAINER	2
			PBT	WHITE	9010	14POSITION, AMP MCPI.5K, ...	1
			MVO	NATURAL	-	RADIAL SEAL	3
V	2315573-5	A	PBT-GF10	VIOLET	4006	RETAINER	2
			PBT	BLUE	5012	14POSITION, AMP MCPI.5K, ...	1
			MVO	NATURAL	-	RADIAL SEAL	3
IV	2315573-4	A	PBT-GF10	VIOLET	4006	RETAINER	2
			PBT	ORANGE	2003	14POSITION, AMP MCPI.5K, ...	1
			MVO	NATURAL	-	RADIAL SEAL	3
III	2315573-3	A	PBT-GF10	VIOLET	4006	RETAINER	2
			PBT	RED	3003	14POSITION, AMP MCPI.5K, ...	1
			MVO	NATURAL	-	RADIAL SEAL	3
II	2315573-2	A	PBT-GF10	VIOLET	4006	RETAINER	2
			PBT	DARK BROWN	8012	14POSITION, AMP MCPI.5K, ...	1
			MVO	NATURAL	-	RADIAL SEAL	3
I	2315573-1	A	PBT-GF10	VIOLET	4006	RETAINER	2
			PBT	BLACK	9011	14POSITION, AMP MCPI.5K, ...	1
			MVO	NATURAL	-	RADIAL SEAL	3

THIS DRAWING IS A CONTROLLED DOCUMENT. DMN: 10OCT2017, CHK: 10OCT2017, SY: W, APVD: 13OCT2017

DIMENSIONS: mm

TOLERANCES UNLESS OTHERWISE SPECIFIED: ACC. TO DIN 16901-10

MATERIAL: S.TAB.

FINISH: #1*

WEIGHT: -

CUSTOMER DRAWING

SCALE: 2:1

SHEET 1 OF 1

REV: A4

NAME: 4POSITION, AMP MCPI.5K, RECEPTACLE HOUSING, ASSEMBLY

SIZE: A1

CAGE CODE: 00779

DRAWING NO: C=2315573

RESTRICTED TO