

THIS DRAWING IS UNPUBLISHED.

RELEASED FOR PUBLICATION

-. - .

REVISIONS

© COPYRIGHT - By -

ALL RIGHTS RESERVED.

P	LTR	DESCRIPTION	DATE	DWN	APVD
	A	CREATION	21-Feb-17	TC	-

D

D

C

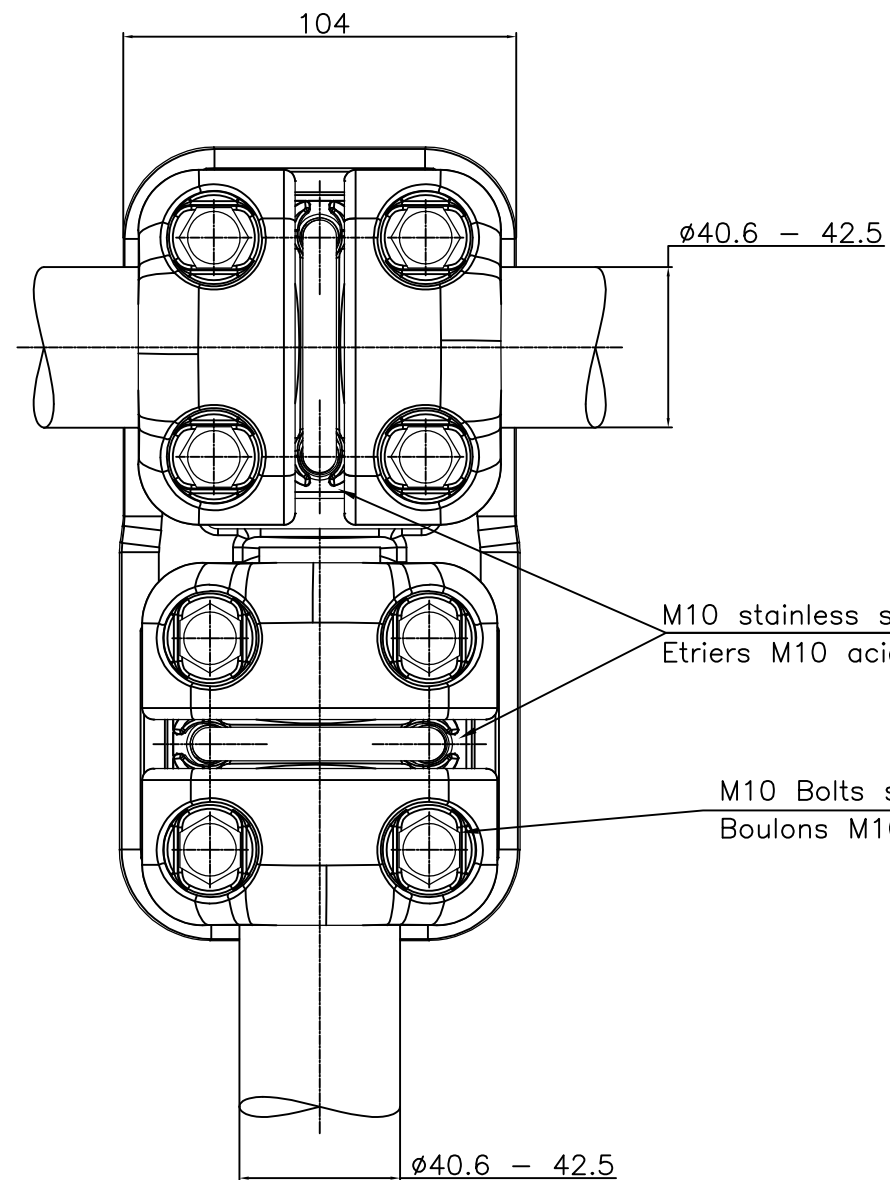
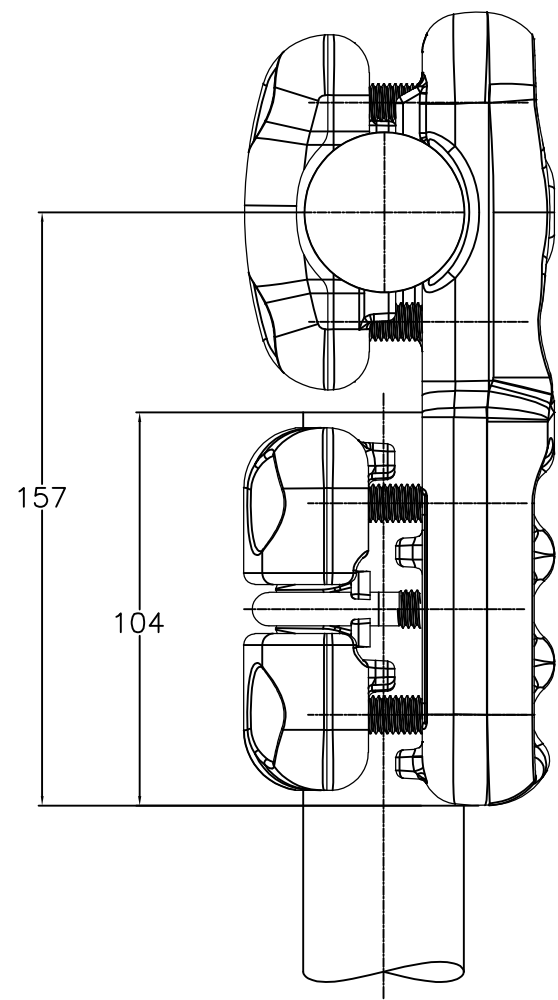
C

B

B

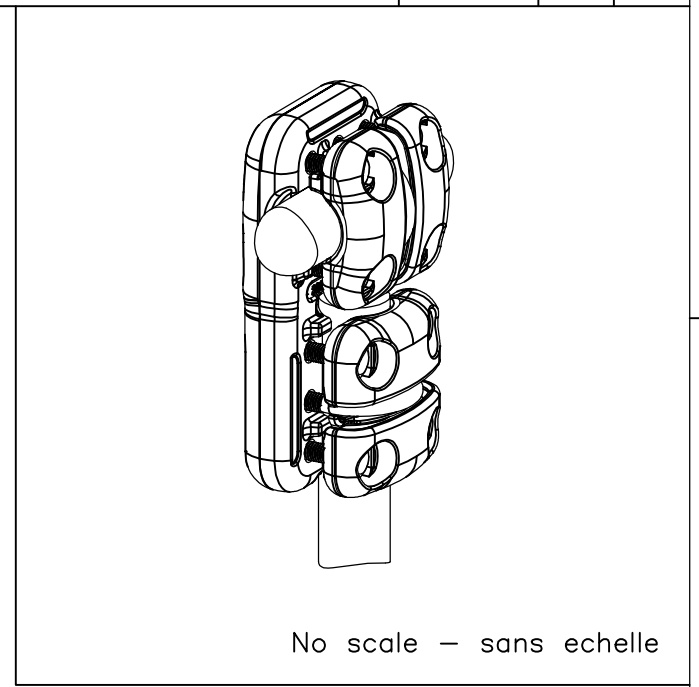
A

A



M10 stainless steel U-Bolts A4: 37Nm  
Etriers M10 acier inoxydable A4: 37Nm

M10 Bolts stainless steel A4: 37Nm  
Boulons M10 acier inoxydable A4: 37Nm



ITEM:.....

THIS DRAWING IS A CONTROLLED DOCUMENT.		DWN CHARTON	21-Feb-17	<b>STE</b> TE Connectivity	
DIMENSIONS: mm		CHK	-		
TOLERANCES UNLESS OTHERWISE SPECIFIED:		APVD	-	NAME Tee connector Connecteur en T	
0 PLC ± -		PRODUCT SPEC	-	108-69096-001	
1 PLC ± -		APPLICATION SPEC	-	5 CT 84 MR425	
2 PLC ± -		SIZE	A3	CAGE CODE	00779
3 PLC ± -		DRAWING NO	G=2315751		RESTRICTED TO
4 PLC ± -		APPROX.WEIGHT	2.2 kg	-	
ANGLES ± -		CUSTOMER DRAWING	SCALE	1/2	SHEET
FINISH		-		1 OF 1	REV
MATERIAL		-		A	