

THIS DRAWING IS UNPUBLISHED.

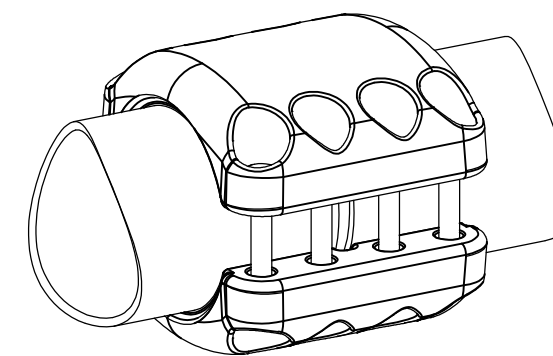
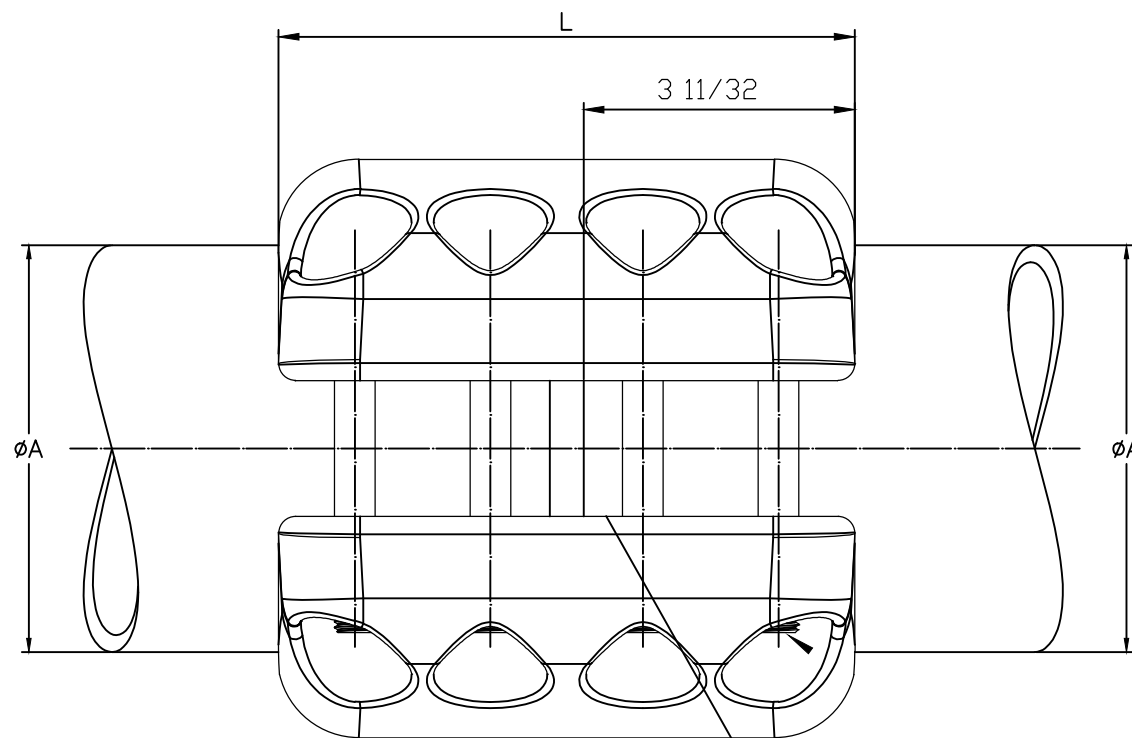
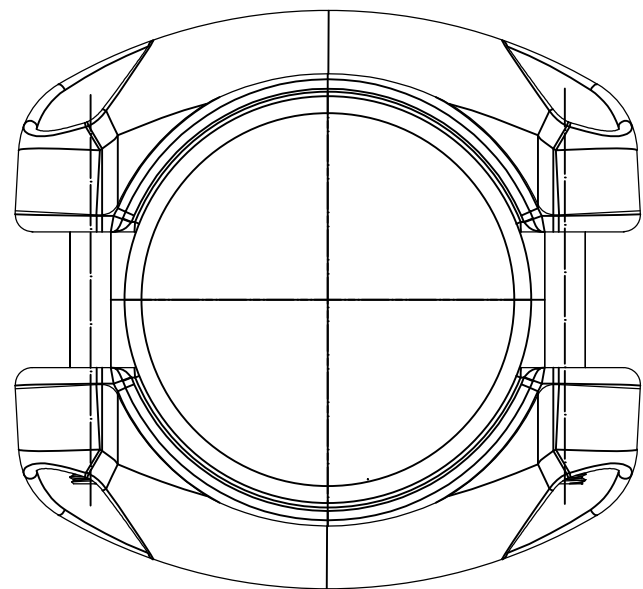
RELEASED FOR PUBLICATION

ALL RIGHTS RESERVED.

© COPYRIGHT - TE Connectivity Ltd.

REVISIONS

P	LTR	DESCRIPTION	DATE	DWN	APVD
	A	INITIAL REL PER LC20-0008-19	31MAY2019	JG	BJ



M12 Stainless steel bolts: 44 lbf

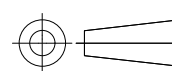
IPS	øA	L	DESCRIPTION	PART NUMBER	WEIGHT (Lbs)
2-1/2	2-7/8	6-11/16	5 TJR 82 T2"1/2IPS	2315836-1	7.2
3	3-1/2	6-11/16	5 TJR 82 T3"IPS	2315836-2	8.2
3-1/2	4	6-11/16	5 TJR 82 T3"1/2IPS	2315836-3	9.7
4	4-1/2	6-11/16	5 TJR 82 T4"IPS	2315836-4	11.1
5	5-9/16	7-1/16	5 TJR 82 T5"IPS	2315836-5	11.9
6	6-5/8	7-1/16	5 TJR 82 T6"IPS	2315836-6	15.8

THIS DRAWING IS A CONTROLLED DOCUMENT.

DWN GARNIER P 20JAN2017

DIMENSIONS:
INCHES

TOLERANCES UNLESS
OTHERWISE SPECIFIED:



0 PLC	± -
1 PLC	± -
2 PLC	± -
3 PLC	± -
4 PLC	± -
ANGLES	± -
FINISH	-

MATERIAL

-

CHK -

APVD -

PRODUCT SPEC -

APPLICATION SPEC -

WEIGHT SEE TABLE

CUSTOMER DRAWING

STE TE Connectivity

NAME
BOLTED BUS COUPLER
2 1/2 TO 6 INCH IPS
SIMABUS

SIZE	CAGE CODE	DRAWING NO	RESTRICTED TO
A3	00779	C-2315836	-

SCALE NTS SHEET 1 OF 2 REV A

THIS DRAWING IS UNPUBLISHED.

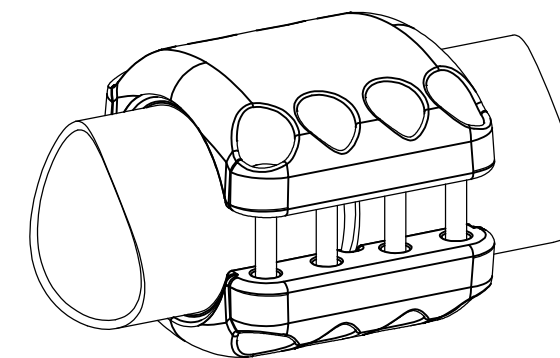
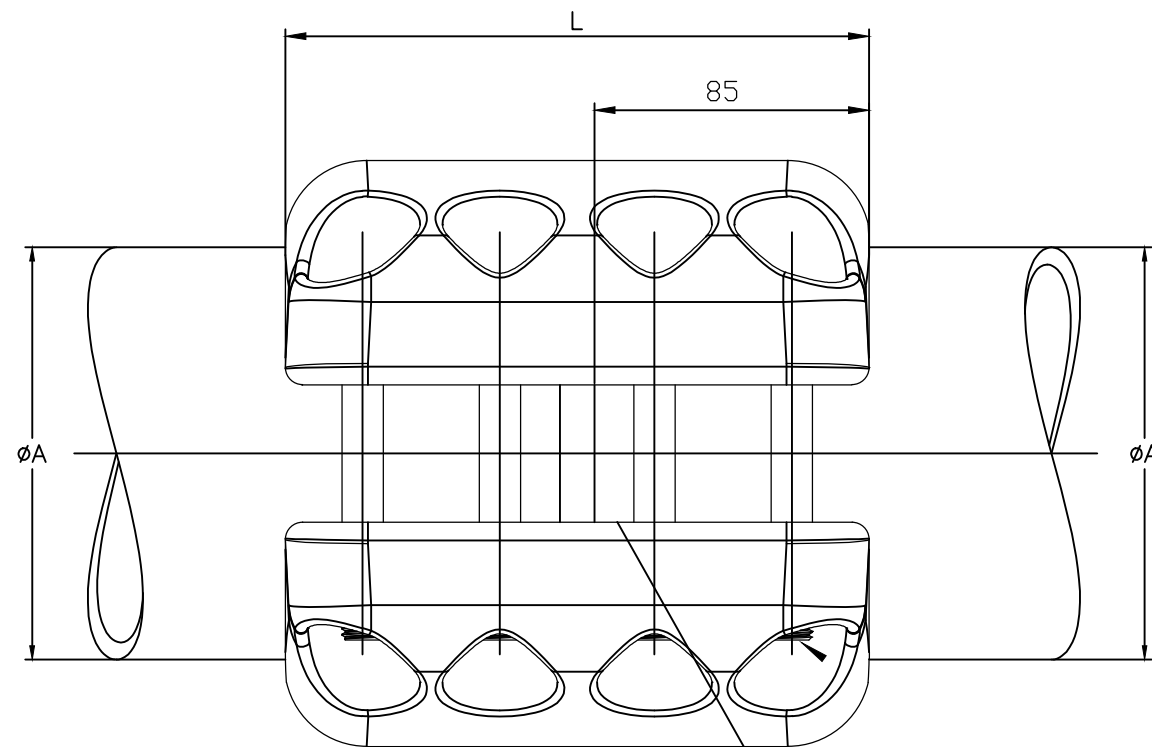
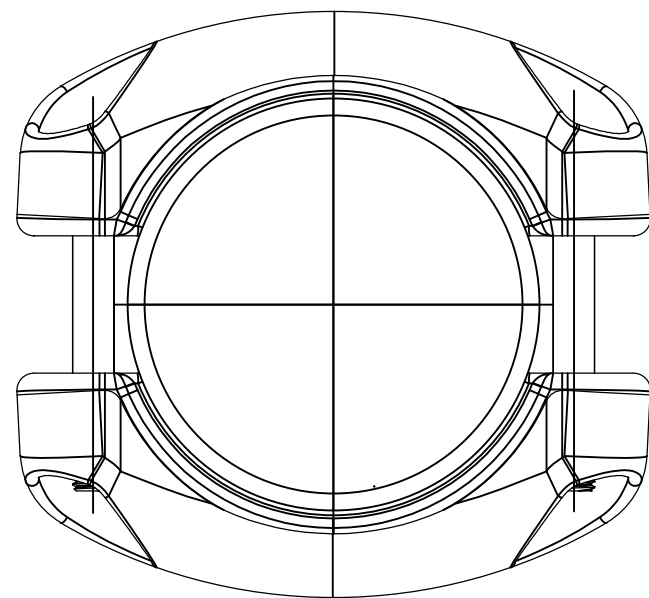
RELEASED FOR PUBLICATION

REVISIONS

© COPYRIGHT - TE Connectivity Ltd.

ALL RIGHTS RESERVED.

P	LTR	DESCRIPTION	DATE	DWN	APVD
-	-	SEE SHEET 1	-	-	-



M12 Stainless steel bolts: 60 Nm

IPS	øA	L	DESCRIPTION	PART NUMBER	WEIGHT (Lbs)
2-1/2	73.0	170	5 TJR 82 T2"1/2IPS	2315836-1	7.2
3	88.9	170	5 TJR 82 T3"IPS	2315836-2	8.2
3-1/2	101.6	170	5 TJR 82 T3"1/2IPS	2315836-3	9.7
4	114.3	170	5 TJR 82 T4"IPS	2315836-4	11.1
5	141.3	180	5 TJR 82 T5"IPS	2315836-5	11.9
6	168.3	180	5 TJR 82 T6"IPS	2315836-6	15.8

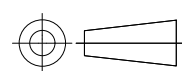
THIS DRAWING IS A CONTROLLED DOCUMENT.

DWN GARNIER P 20JAN2017

STE TE Connectivity

DIMENSIONS:
mm

TOLERANCES UNLESS OTHERWISE SPECIFIED:



- 0 PLC ± -
- 1 PLC ± -
- 2 PLC ± -
- 3 PLC ± -
- 4 PLC ± -
- ANGLES ± -
- FINISH -

MATERIAL

FINISH

CHK	-
APVD	-
PRODUCT SPEC	-
APPLICATION SPEC	-
WEIGHT	SEE TABLE

NAME			
BOLTED BUS COUPLER 2 1/2 TO 6 INCH IPS SIMABUS			
SIZE	CAGE CODE	DRAWING NO	RESTRICTED TO
A3	00779	C-2315836	-

CUSTOMER DRAWING SCALE NTS SHEET 2 OF 2 REV A