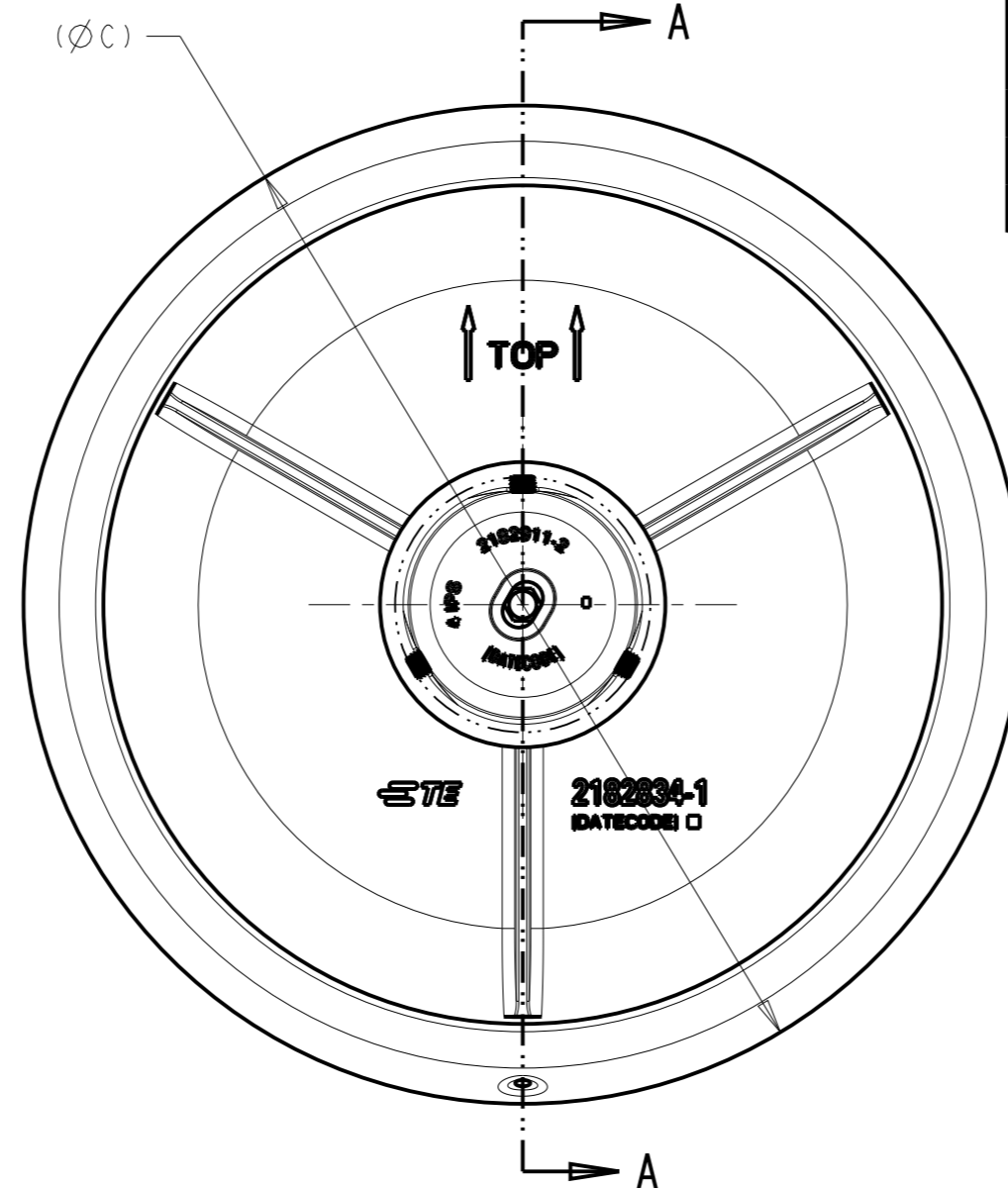
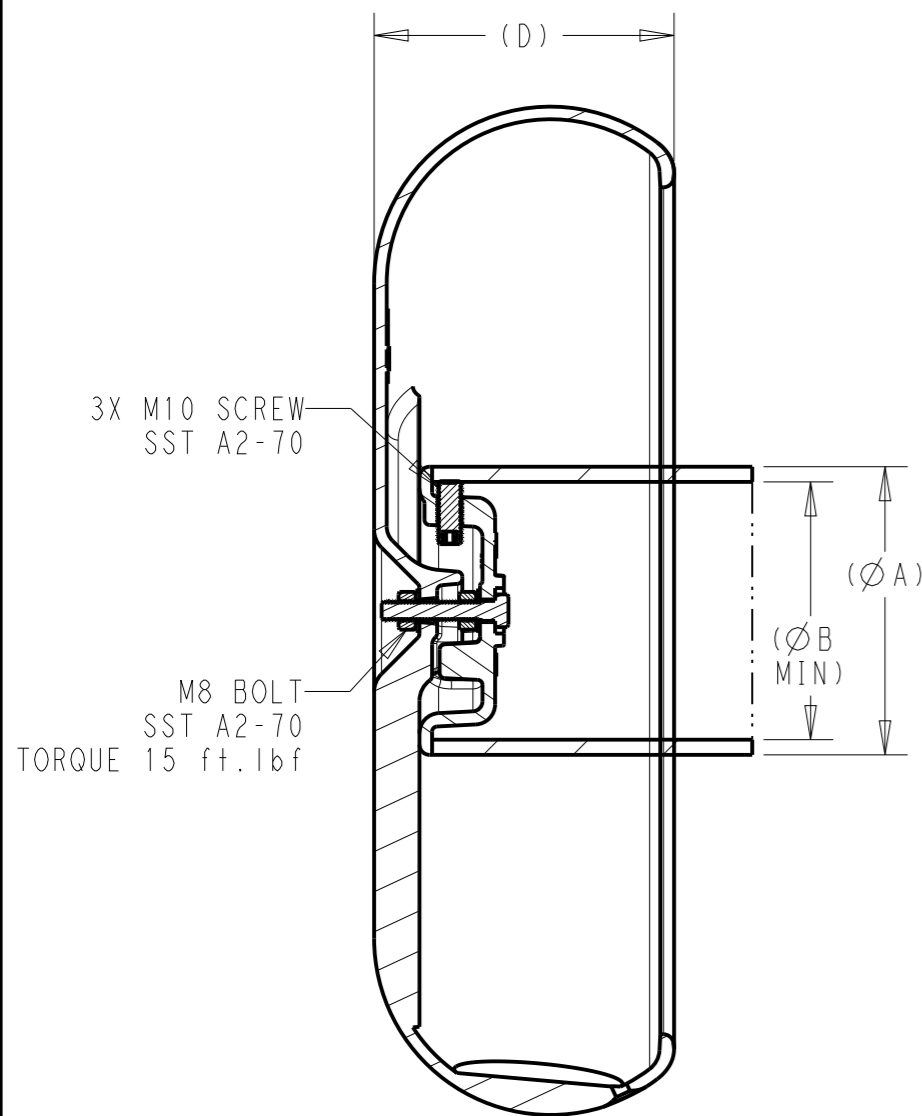


P	LTR	DESCRIPTION	DATE	DWN	APVD
A1		LC20-0109-19 / ECO-19-015178	23SEP2019	JG	BJ
A2		LC20-0030-21 / ECO-21-005099	08MAR2021	JG	BJ



1. ACCOMMODATES:
SEE TABLE.

2. MARKING:



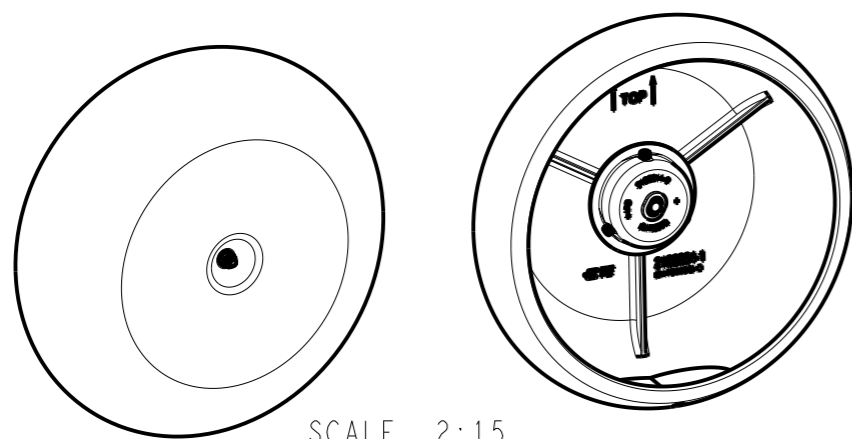
[PART NO.]
[CATALOG DESCRIPTION]
[PIPE SIZE]
[DATECODE]

3. VOLTAGE CLASS: Ø12" 345kV MAX.
Ø16" 500kV MAX.

4. PART NUMBER 2315961-2 (500kV) SHOWN.

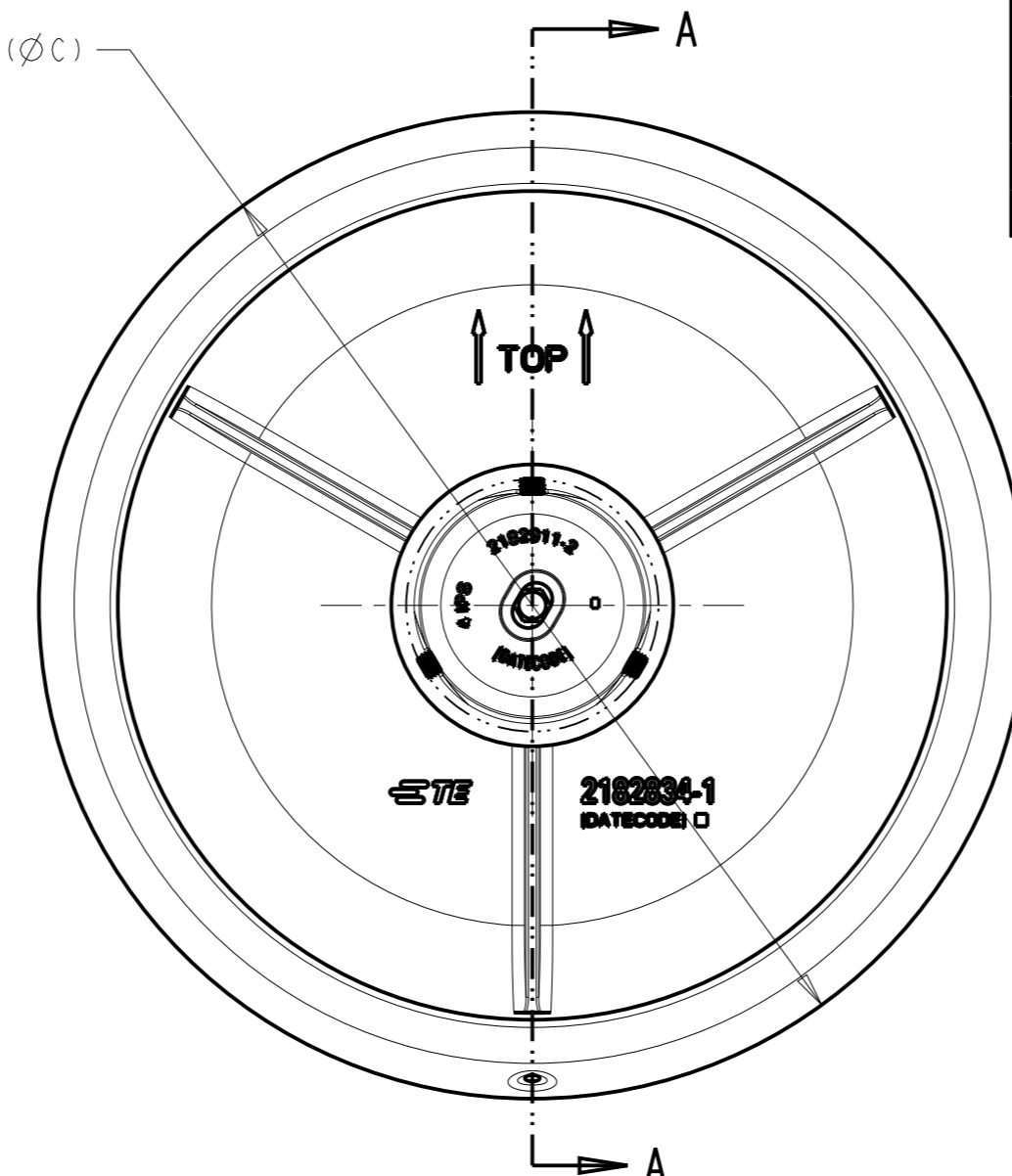
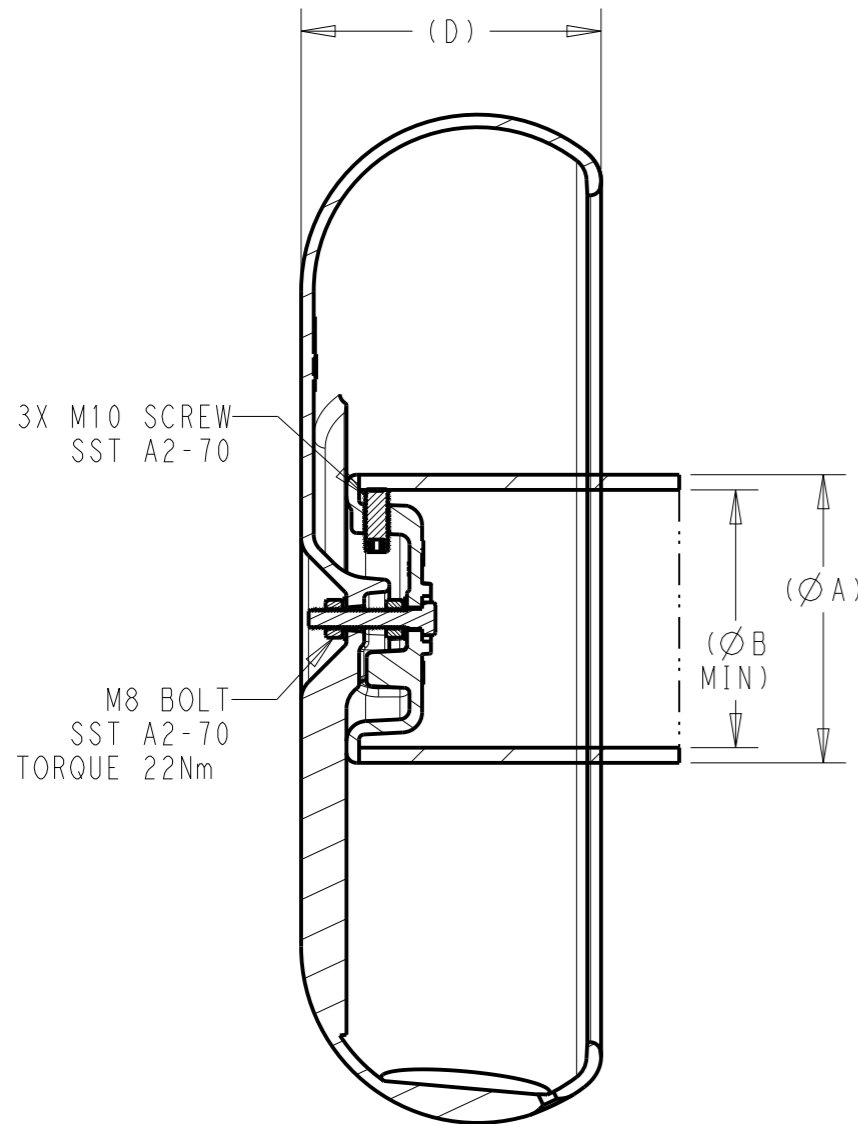
SECTION A-A

4-3/4	16	5-9/16	6-5/8	5 TAPA 82 T6"IPS	6" IPS	2315961-4
		4-13/16	5-9/16	5 TAPA 82 T5"IPS	5" IPS	2315961-3
		3-9/16	4-1/2	5 TAPA 82 T4"IPS	4" IPS	2315961-2
2-3/8	12	3-3/16	4	5 TAPA 82 T3"1/2 IPS	3"1/2 IPS	2315961-5
		2-3/4	3-1/2	5 TAPA 82 T3"IPS	3" IPS	2315961-1
D	ØC	ØB	ØA	DESCRIPTION	PIPE SIZE	PART NO.



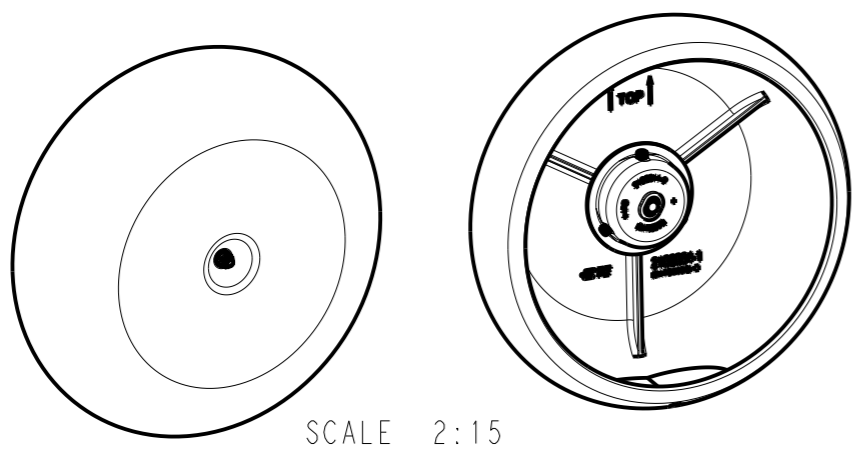
THIS DRAWING IS A CONTROLLED DOCUMENT.		DWN GARNIER P 24JAN2017	TE Connectivity	
DIMENSIONS: INCHES		CHK G. LAFORGE		
TOLERANCES UNLESS OTHERWISE SPECIFIED:		APVD -	NAME BOLTED END SHIELD, ALUMINUM ALLOY, 3 IPS GTO 6 IPS CONDUCTOR, SIMABUS	
0 PLC ±		PRODUCT SPEC	SIZE A3	
1 PLC ±		APPLICATION SPEC	CAGE CODE 00779	DRAWING NO C-2315961
2 PLC ±		WEIGHT -	RESTRICTED TO -	
3 PLC ±		MATERIAL ALUM ALLOY	SCALE NTS	
4 PLC ±			SHEET 1 OF 2	
ANGLES ±		CUSTOMER DRAWING; RESTRICTED CUSTOMER		REV A2
FINISH -		REVISIONS		

P	LTR	DESCRIPTION	DATE	DWN	APVD
-	-	SEE SHEET 1	-	-	-



- ACCOMMODATES:
SEE TABLE.
- MARKING:
STE
[PART NO.]
[CATALOG DESCRIPTION]
[PIPE SIZE]
[DATECODE]
- VOLTAGE CLASS: Ø 300 345kV MAX.
Ø 400 500kV MAX.
- PART NUMBER 2315961-2 (500kV) SHOWN

D	ØC	ØB	ØA	DESCRIPTION	PIPE SIZE	PART NO.
120	400	141	168.3	5 TAPA 82 T6"IPS	6" IPS	2315961-4
		122	141.3	5 TAPA 82 T5"IPS	5" IPS	2315961-3
		90	114.3	5 TAPA 82 T4"IPS	4" IPS	2315961-2
60	300	80	101.6	5 TAPA 82 T3"1/2 IPS	3"1/2 IPS	2315961-5
		70	88.9	5 TAPA 82 T3"IPS	3" IPS	2315961-1



THIS DRAWING IS A CONTROLLED DOCUMENT.

DIMENSIONS: mm	TOLERANCES UNLESS OTHERWISE SPECIFIED: 0 PLC ± 1 PLC ± 2 PLC ± 3 PLC ± 4 PLC ± ANGLES ±	DWN 24JAN2017 GARNIER P	STE TE Connectivity
MATERIAL ALUM ALLOY	FINISH -	CHK G. LAFORGE	
APVD -		PRODUCT SPEC	NAME BOLTED END SHIELD, ALUMINUM ALLOY, 3 IPS GTO 6 IPS CONDUCTOR, SIMABUS
APVD -		APPLICATION SPEC	SIZE A3 CAGE CODE 00779 DRAWING NO C-2315961 RESTRICTED TO -
WEIGHT -		CUSTOMER DRAWING; RESTRICTED CUSTOMER	SCALE NTS SHEET 2 OF 2 REV A2