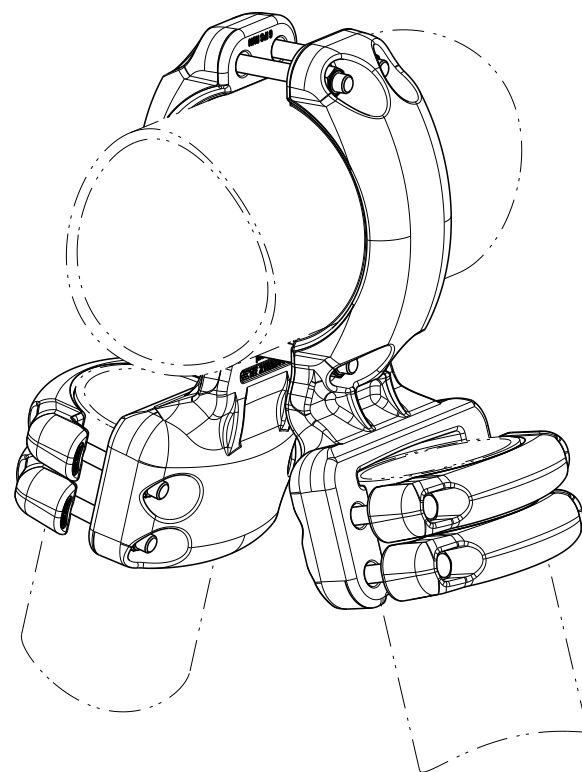
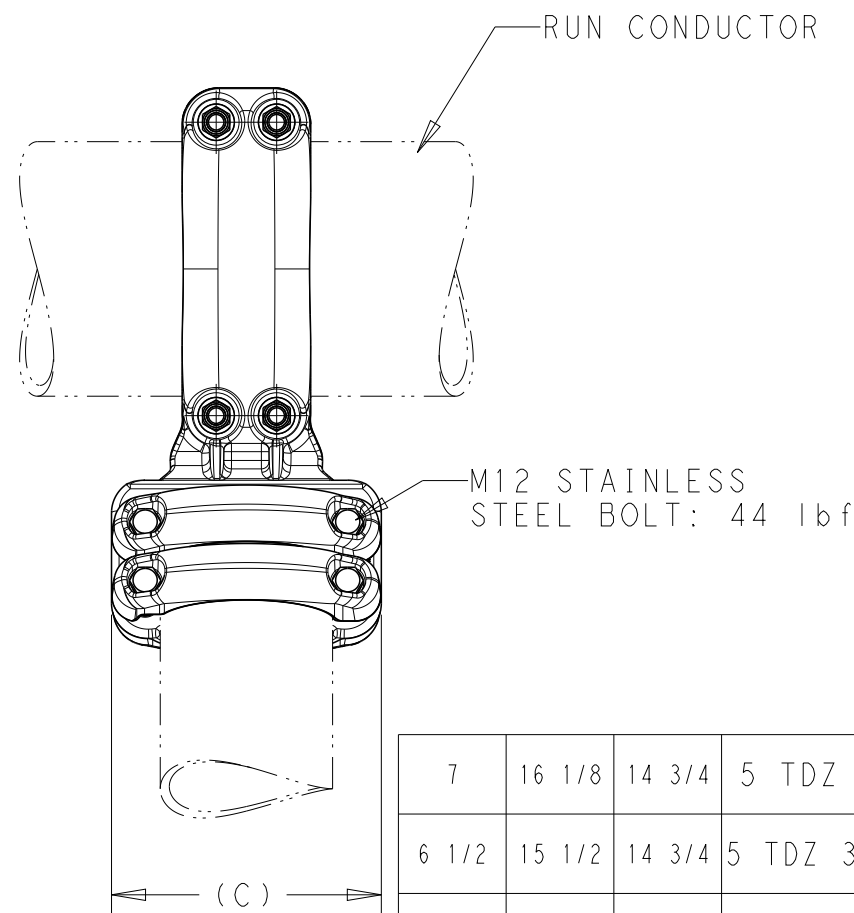
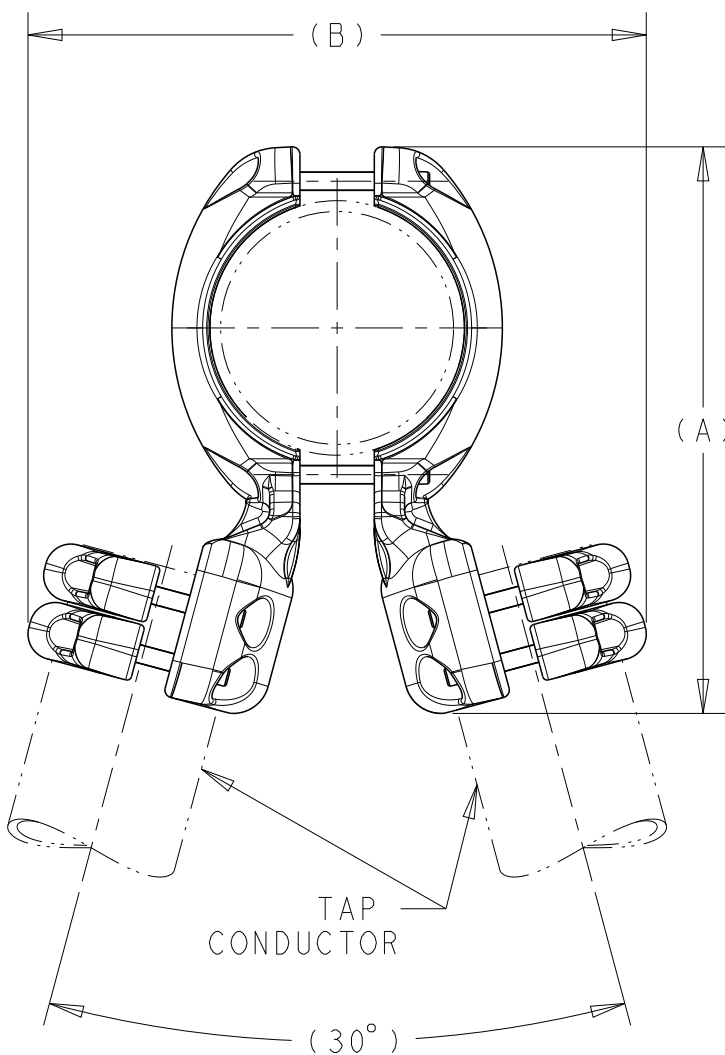


P	LTR	DESCRIPTION	DATE	DWN	APVD
A		INITIAL REL PER LC20-0087-19	09AUG2019	JG	BJ
A1		LC20-0031-20 / ECO-20-006723	13MAY2020	JG	BJ
B		UPDATED REV AS PER HVBOX	06AUG2021	SD	CG



1. ACCOMMODATES:
SEE TABLE.

2. MARKING:

STE
[PART NO.]
[CATALOG DESCRIPTION]
[RUN-PIPE SIZE]
[TAP-PIPE SIZE]
[DATECODE]

3. ALL DIMENSIONS ARE FOR REFERENCE ONLY.

C	B	A	DESCRIPTION	TAP-PIPE SIZE	RUN-PIPE SIZE	PART NO.	WEIGHT(LBS)
7	16 1/8	14 3/4	5 TDZ 30 82 T6"IPS / T4"IPS	4" IPS	6" IPS	1-2316011-0	21.2
6 1/2	15 1/2	14 3/4	5 TDZ 30 82 T6"IPS / T3"1/2IPS	3"1/2 IPS	6" IPS	2316011-9	19.4
6	15 1/8	14 3/4	5 TDZ 30 82 T6"IPS / T3"IPS	3" IPS	6" IPS	2316011-8	19.0
7	16 1/8	14 3/16	5 TDZ 30 82 T5"IPS / T4"IPS	4" IPS	5" IPS	2316011-7	19.8
6 1/2	15 1/2	14 3/16	5 TDZ 30 82 T5"IPS / T3"1/2IPS	3"1/2 IPS	5" IPS	2316011-6	18.3
6	15 1/8	14 3/16	5 TDZ 30 82 T5"IPS / T3"IPS	3" IPS	5" IPS	2316011-5	17.9
6	15 1/8	13 7/8	5 TDZ 30 82 T4"IPS / T3"IPS	3" IPS	4" IPS	2316011-4	17.2
5 1/8	14 1/2	13 7/8	5 TDZ 30 82 T4"IPS / T2"1/2IPS	2"1/2 IPS	4" IPS	2316011-3	13.9
6	15 1/8	13 1/2	5 TDZ 30 82 T3"1/2IPS / T3"IPS	3" IPS	3"1/2 IPS	2316011-2	16.5
5 1/8	14 1/2	13 1/2	5 TDZ 30 82 T3"1/2IPS / T2"1/2IPS	2"1/2 IPS	3"1/2 IPS	2316011-1	13.0

THIS DRAWING IS A CONTROLLED DOCUMENT.

DWN J. GUPPY 06JUL2019

CHK A. BULA 09AUG2019

APVD B. JOHNSON 09AUG2019

PRODUCT SPEC

APPLICATION SPEC

WEIGHT SEE TABLE

CUSTOMER DRAWING

STE TE Connectivity

NAME
BOLTED A-FRAME CONNECTOR,
ALUMINUM ALLOY, 30 DEG ANGLE,
SIMABUS

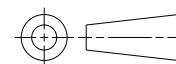
SIZE CAGE CODE DRAWING NO RESTRICTED TO

A300779 C-2316011

SCALE NTS SHEET 1 OF 2 REV B

DIMENSIONS:
INCHES

TOLERANCES UNLESS
OTHERWISE SPECIFIED:



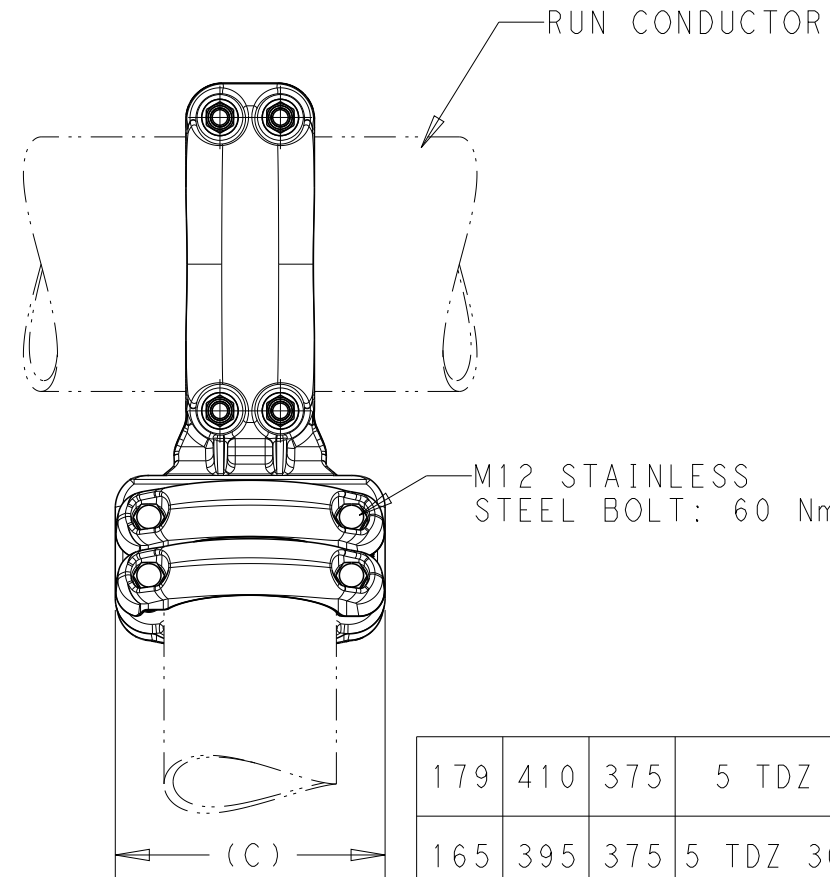
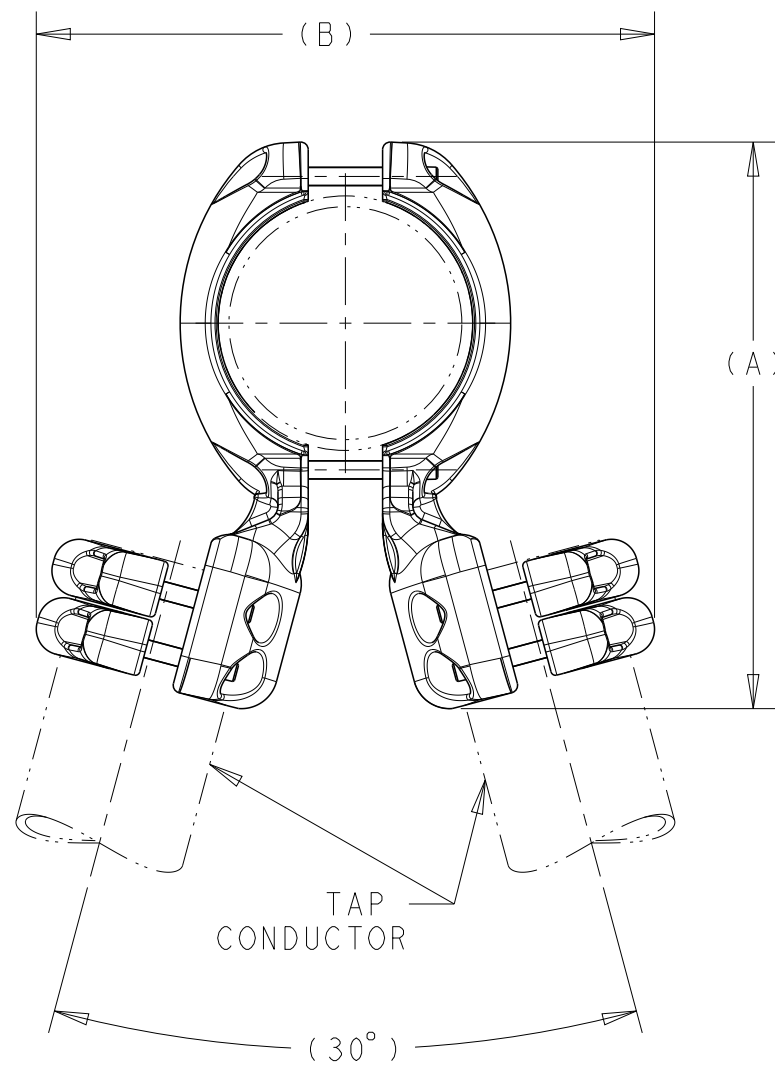
0 PLC ±
1 PLC ±
2 PLC ±
3 PLC ±
4 PLC ±
ANGLES ±

MATERIAL
ALUM ALLOY

FINISH

REVISIONS

P	LTR	DESCRIPTION	DATE	DWN	APVD
-		SEE SHEET 1			



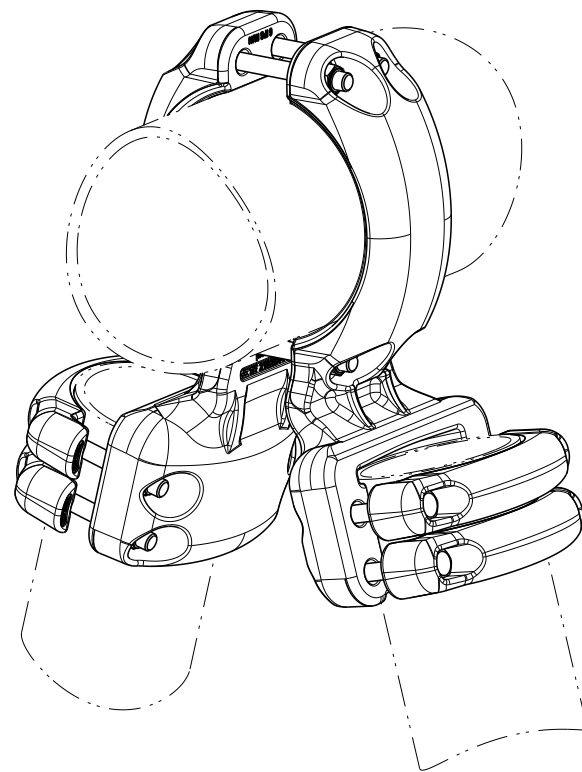
1. ACCOMMODATES:
SEE TABLE.

2. MARKING:

STE
 [PART NO.]
 [CATALOG DESCRIPTION]
 [RUN-PIPE SIZE]
 [TAP-PIPE SIZE]
 [DATECODE]

3. ALL DIMENSIONS ARE FOR REFERENCE ONLY.

C	B	A	DESCRIPTION	TAP-PIPE O.D.	RUN-PIPE O.D.	PART NO.	WEIGHT(kg)
179	410	375	5 TDZ 30 82 T6"IPS / T4"IPS	114.3	168.3	1-2316011-0	9.62
165	395	375	5 TDZ 30 82 T6"IPS / T3"1/2IPS	101.6	168.3	2316011-9	8.80
155	385	375	5 TDZ 30 82 T6"IPS / T3"IPS	88.9	168.3	2316011-8	8.62
179	410	360	5 TDZ 30 82 T5"IPS / T4"IPS	114.3	141.3	2316011-7	8.98
165	395	360	5 TDZ 30 82 T5"IPS / T3"1/2IPS	101.6	141.3	2316011-6	8.30
155	385	360	5 TDZ 30 82 T5"IPS / T3"IPS	88.9	141.3	2316011-5	8.12
155	385	352	5 TDZ 30 82 T4"IPS / T3"IPS	88.9	114.3	2316011-4	7.80
130	370	352	5 TDZ 30 82 T4"IPS / T2"1/2IPS	73.0	114.3	2316011-3	6.30
155	385	345	5 TDZ 30 82 T3"1/2IPS / T3"IPS	88.9	101.6	2316011-2	7.48
130	370	345	5 TDZ 30 82 T3"1/2IPS / T2"1/2IPS	73.0	101.6	2316011-1	5.9



THIS DRAWING IS A CONTROLLED DOCUMENT.

DWN J. GUPPY 06JUL2019

CHK A. BULA 09AUG2019

APVD B. JOHNSON 09AUG2019

PRODUCT SPEC

APPLICATION SPEC

WEIGHT SEE TABLE

CUSTOMER DRAWING

STE TE Connectivity

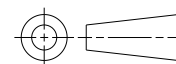
NAME BOLTED A-FRAME CONNECTOR, ALUMINUM ALLOY, 30 DEG ANGLE, SIMABUS

SIZE CAGE CODE DRAWING NO RESTRICTED TO

A300779 C-2316011

SCALE NTS SHEET 2 OF 2 REV B

DIMENSIONS:
mm



TOLERANCES UNLESS OTHERWISE SPECIFIED:

0 PLC	±
1 PLC	±
2 PLC	±
3 PLC	±
4 PLC	±
ANGLES	±
FINISH	

MATERIAL ALUM ALLOY