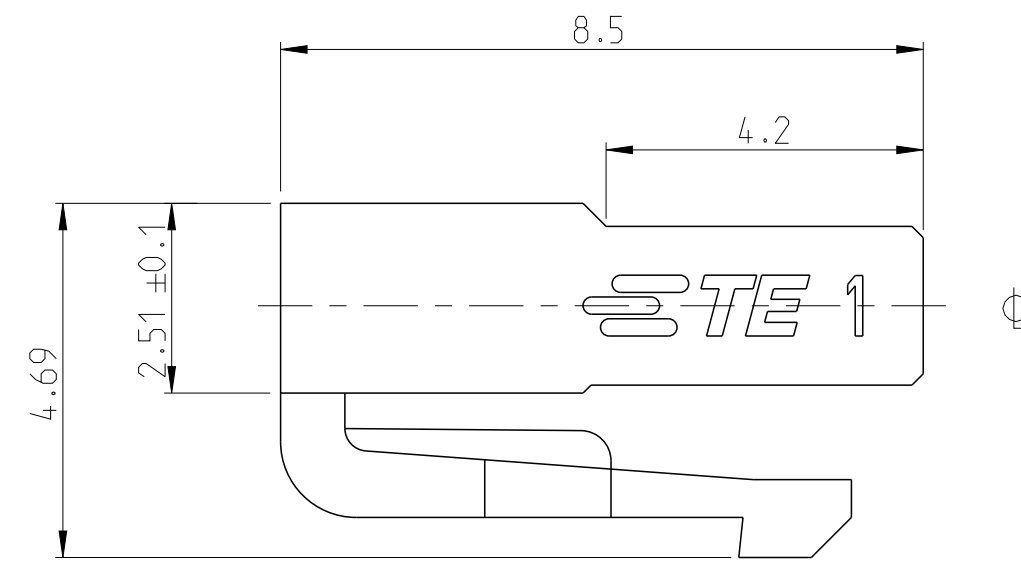
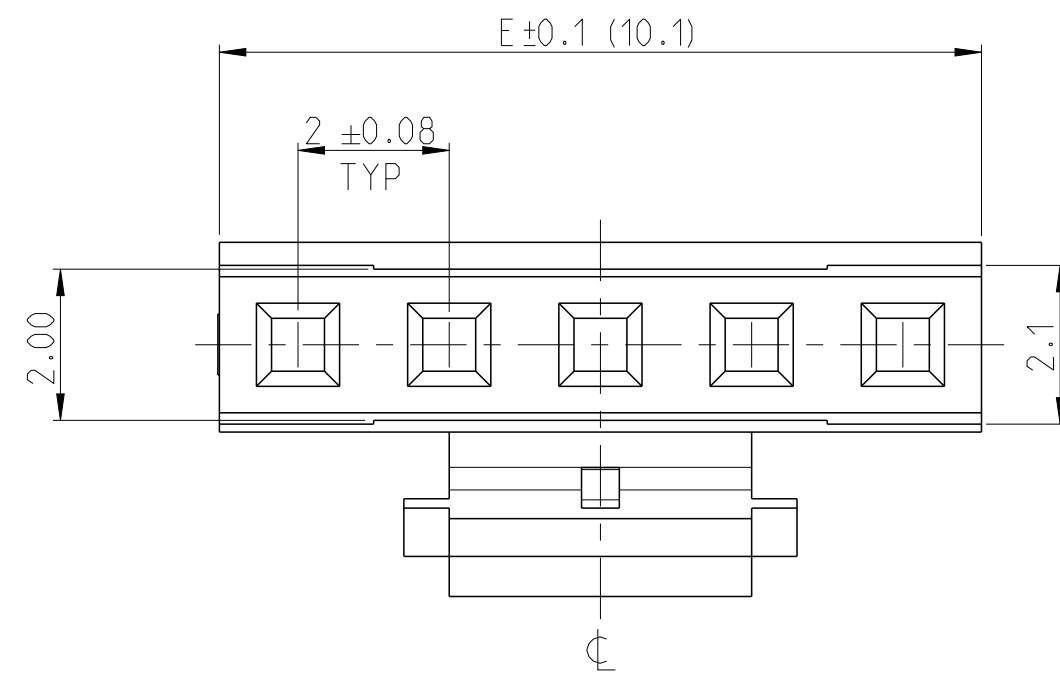


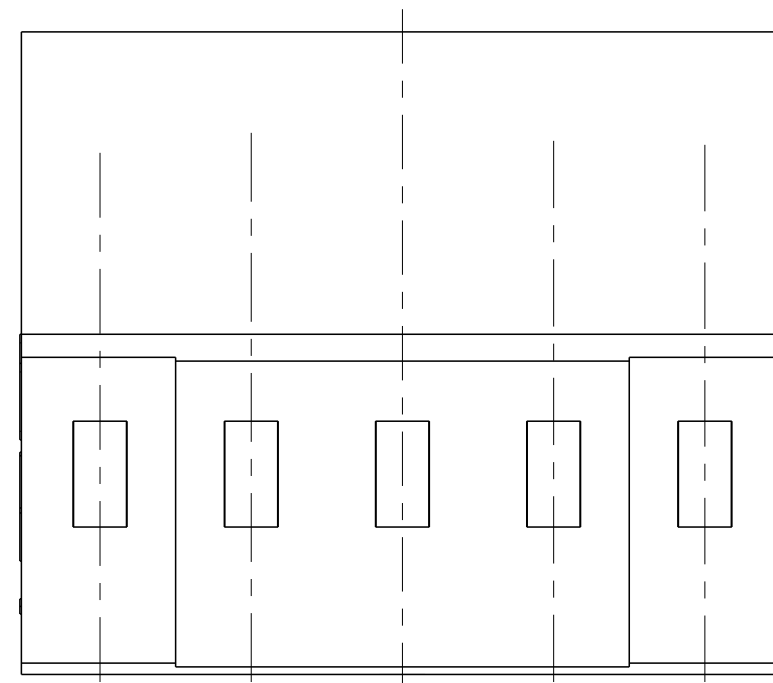
REVISIONS

P	LTR	DESCRIPTION	DATE	DWN	APVD
	A	RELEASE TO PRODUCTION	22FEB2022	AY	PS

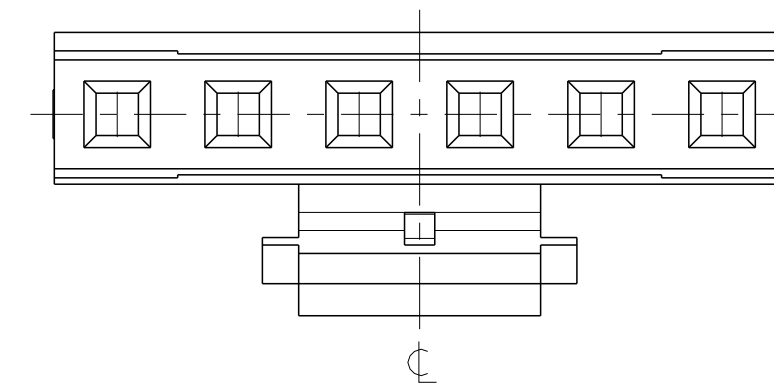
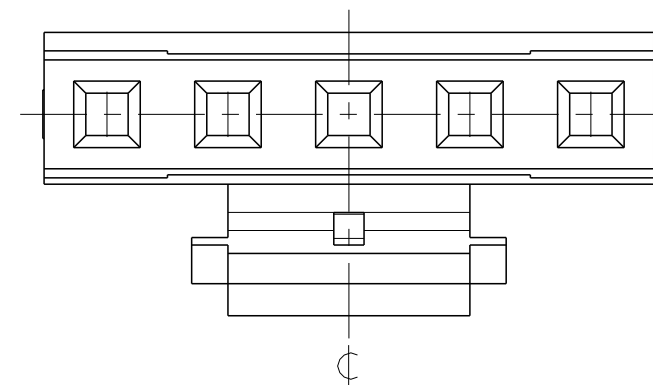


NOTES:

1. MATERIAL:
LCP BLACK, UL94 V0
2. N = NUMBER OF POSITION PER HOUSING.
3. HOUSING TO BE USED WITH CRIMP CONTACTS
2316113 (AWG 28-24/0.08-0.22 mm²) AND
2316114 (AWG 30-28/0.05-0.08 mm²)
4. PACKAGING : BOX

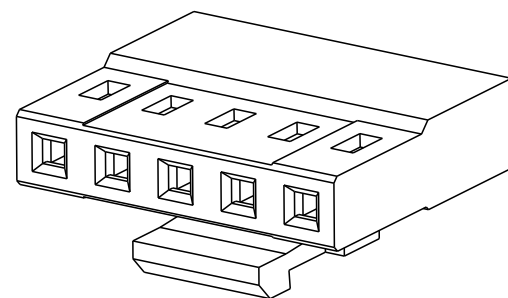


CENTERLINE FOR ODD AND EVEN POSITION HOUSINGS



SINGLE ROW HOUSING,
LATCH VERSION
-5 AS SHOWN

5:1



32.1	16	2MM-RCP-S16-BX
30.1	15	2MM-RCP-S15-BX
28.1	14	2MM-RCP-S14-BX
26.1	13	2MM-RCP-S13-BX
24.1	12	2MM-RCP-S12-BX
22.1	11	2MM-RCP-S11-BX
20.1	10	2MM-RCP-S10-BX
18.1	9	2MM-RCP-S09-BX
16.1	8	2MM-RCP-S08-BX
14.1	7	2MM-RCP-S07-BX
12.1	6	2MM-RCP-S06-BX
10.1	5	2MM-RCP-S05-BX
8.1	4	2MM-RCP-S04-BX
6.1	3	2MM-RCP-S03-BX
DIM "E"	N	SMART PN

THIS DRAWING IS A CONTROLLED DOCUMENT.

DIMENSIONS:	TOLERANCES UNLESS OTHERWISE SPECIFIED:
mm	0 PLC ±
	1 PLC ±0.15
	2 PLC ±0.10
	3 PLC ±
	4 PLC ±
	ANGLES ±2°
	FINISH -
	-

DWN	29OCT2017
CHK	29OCT2017
APVD	11DEC2017
PRODUCT SPEC	108-64040-1
APPLICATION SPEC	114-32173
WEIGHT	-
CUSTOMER DRAWING	

		TE Connectivity	
NAME		AMPMODU 2mm RECEPTACLE, w/B HOUSING, CRIMP, SR, CENTER LATCH	
SIZE	CAGE CODE	DRAWING NO	RESTRICTED TO
A2	100779	C-2316104	-
SCALE 10:1		SHEET 1 OF 2	REV A

P	LTR	DESCRIPTION	DATE	DWN	APVD
-		SEE SHEET 1	-	-	-

SMART PART NUMBER
2MM - RCP - S__ - BX

PRODUCT SERIES

2MM AMPMODU 2mm SERIES

GENDER / TYPE

RCP RECEPTACLE HOUSING FOR CRIMP WITH POSITIVE LATCH

NUMBER OF ROWS

S SINGLE ROW

PACKAGING


BX BOX

NUMBER OF PINS PER ROW

XX 03 THROUGH 16
(ENTER TWO DIGITS)

SMART PN EXAMPLES:

- 2MM-RCP-S03-BX:
AMPMODU 2mm, RECEPTACLE HOUSING FOR CRIMP WITH POSITIVE LATCH, SINGLE ROW , 03 POSITION PER ROW , BOX PACKAGING
- 2MM-RCP-S16-BX:
AMPMODU 2mm, RECEPTACLE HOUSING FOR CRIMP WITH POSITIVE LATCH, SINGLE ROW , 16 POSITION PER ROW , BOX PACKAGING

THIS DRAWING IS A CONTROLLED DOCUMENT.		DWN 29OCT2017 RAKSHITH R NAYAK	 TE Connectivity	
DIMENSIONS: mm		CHK 29OCT2017 RAKSHITH R NAYAK		
TOLERANCES UNLESS OTHERWISE SPECIFIED:		APVD 11DEC2017 PRASHANTH S	NAME AMPMODU 2mm RECEPTACLE, w/B HOUSING, CRIMP, SR, CENTER LATCH	
0 PLC ±		PRODUCT SPEC	-	
1 PLC ±0.15		APPLICATION SPEC	108-64040-1	
2 PLC ±0.10		WEIGHT	-	
3 PLC ±		CUSTOMER DRAWING	-	
4 PLC ±		SCALE	1:1	
ANGLES ±2°		SHEET	2 OF 2	
FINISH		REV	A	
MATERIAL SEE NOTE 1		SIZE	A2	
-		CAGE CODE	100779	
-		DRAWING NO	C-2316104	
-		RESTRICTED TO	-	